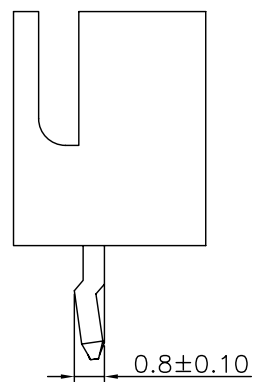
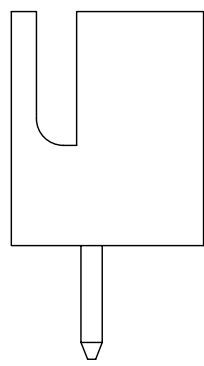
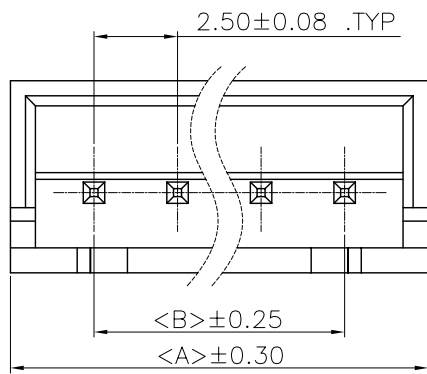


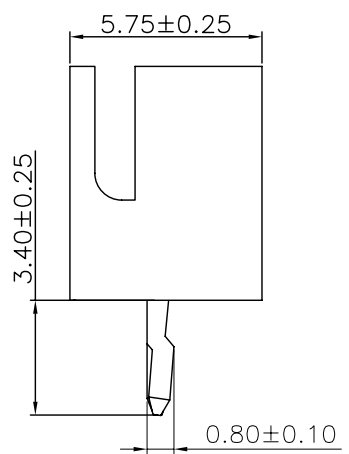
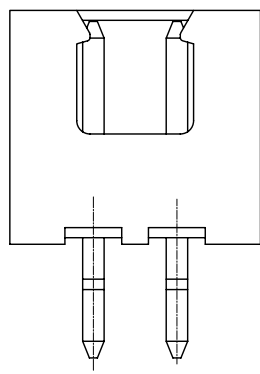
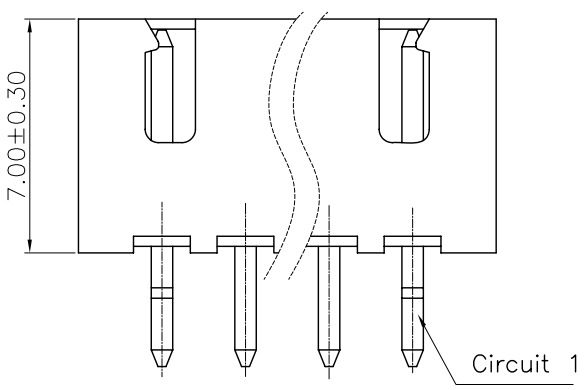
| REV. | ECN NO. | DESCRIPTION | DATE | DESIGN |
|------|---------|-------------|------|--------|
| | | | | |



Specifications:
 Current rating:3A AC/DC.
 Voltage rating:250V AC/DC
 Temperature range:-40°C~+105°C.
 Contact resistance:10mΩMax.
 Insulation resistance:1000MΩ Min.
 Withstanding voltage: 800V AC/minute.
 Material:PA66.UL94V-0.

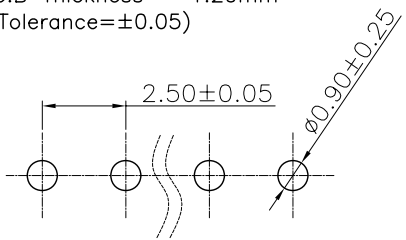
无“K”

打正“K”



打反“K”

Recommended P.C.B Layout(Top Side)
 P.C.B Thickness = 1.20mm
 (Tolerance=±0.05)



| PART NO. | Dimensions | |
|-------------|------------|-------|
| | A | B |
| A2501WV-02P | 7.50 | 2.50 |
| A2501WV-03P | 10.00 | 5.00 |
| A2501WV-04P | 12.50 | 7.50 |
| A2501WV-05P | 15.00 | 10.00 |
| A2501WV-06P | 17.50 | 12.50 |
| A2501WV-07P | 20.00 | 15.00 |
| A2501WV-08P | 22.50 | 17.50 |
| A2501WV-09P | 25.00 | 20.00 |
| A2501WV-10P | 27.50 | 22.50 |
| A2501WV-11P | 30.00 | 25.00 |
| A2501WV-12P | 32.50 | 27.50 |
| A2501WV-13P | 35.00 | 30.00 |
| A2501WV-14P | 37.50 | 32.50 |
| A2501WV-15P | 40.00 | 35.00 |
| A2501WV-16P | 42.50 | 37.50 |
| A2501WV-17P | 52.50 | 47.50 |

CNJM Joint More Precision electronics Co.,Ltd.

| | | | | | | | |
|----------|-----|----------|--|------------|-----------|------------------------|---------------|
| DRAW NO. | | DATE | | P/N NO: | | DRAW NAME: | |
| DESIGN: | 陈雪峰 | 17/06/03 | | A2501WV-NP | | 2.5mm pitch 180° wafer | |
| CHECK: | 杨焯 | | | | | | |
| REVIEW: | | | | REV. A/1 | SCALE 1:1 | UNIT: mm | SHEET: 1 OF 1 |

| DIM | TOL | DIM | TOL |
|-------|-------|--------|-----|
| X. | / | X. | / |
| X.X | ±0.25 | X.X' | ±2' |
| X.XX | ±0.20 | X.XX' | ±1' |
| X.XXX | ±0.10 | X.XXX' | / |