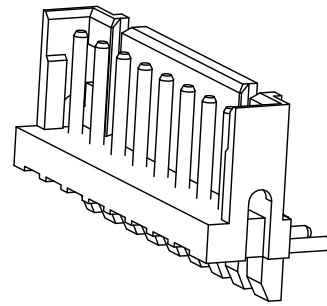
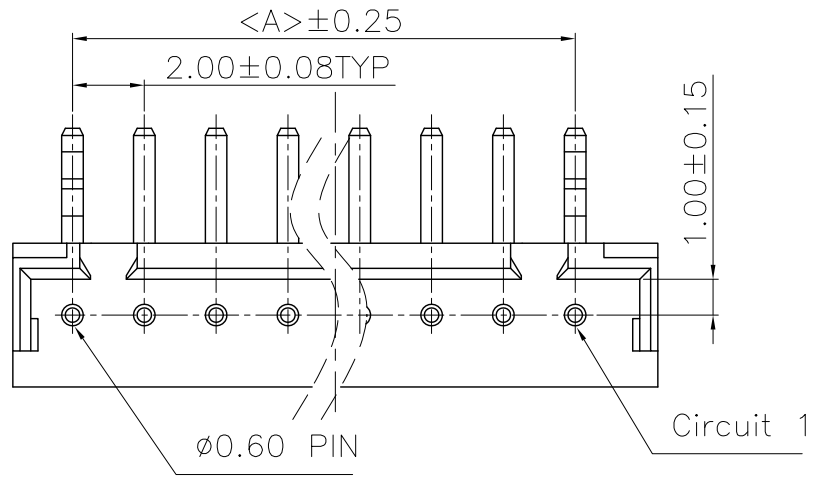


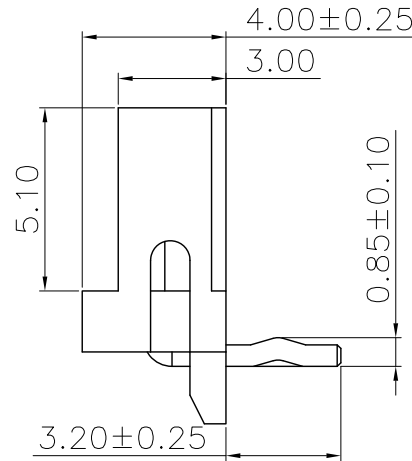
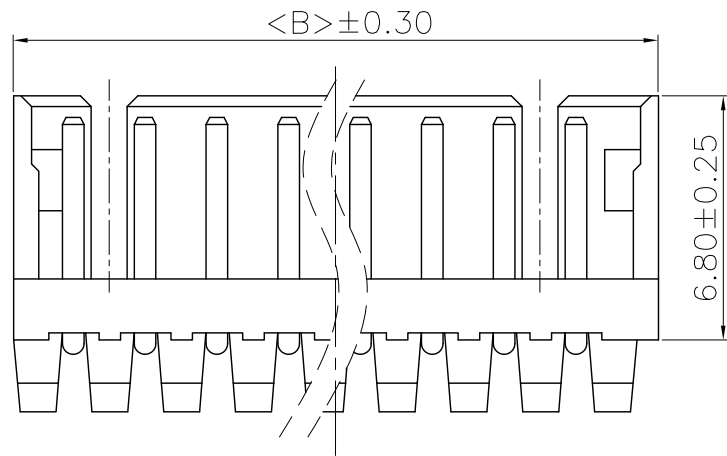
REV.	ECN NO.	DESCRIPTION	DATE	DESIGN
A/2		更新图纸	22/5/25	SULIANG



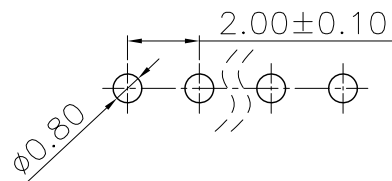
Specifications:

Current rating:4A AC/DC.  
Voltage rating:125V AC/DC  
Temperature range:-40°C~+105°C.  
Contact resistance:10MΩ Max.  
Insulation resistance:1000MΩ Min.  
Withstanding voltage: 1000V AC/minute.  
Material:PA66.UL94V-0.

PART NO.	Dimensions	
	A	B
A2007WR-02P	2.00	5.96
A2007WR-03P	4.00	7.95
A2007WR-04P	6.00	9.96
A2007WR-05P	8.00	11.96
A2007WR-06P	10.00	13.96
A2007WR-07P	12.00	15.96
A2007WR-08P	14.00	17.96
A2007WR-09P	16.00	19.96
A2007WR-10P	18.00	21.96
A2007WR-11P	20.00	23.96
A2007WR-12P	22.00	25.96
A2007WR-13P	24.00	27.96
A2007WR-14P	26.00	29.96
A2007WR-15P	28.00	31.96



Recommended P.C.B Layout(Top Side)  
P.C.B Thickness = 1.20mm (Tolerance=±0.05)



DIM	TOL	DIM	TOL
X.	/	X'	/
X.X	0.25	X.X'	/
X.XX	0.15	X.XX'	/
X.XXX	0.10	X.XXX'	/

**CNJM** Joint More Precision electronics Co.,Ltd.

DRAW NO.	DATE	P/N NO:	DRAW NAME:
DESIGN: 陈雪峰	2017.06.03	A2007WR-NP	2.0mm pitch 90°wafer
CHECK: 杨 焯			
REVIEW:		REV. A/2	SCALE 1:1
		UNIT: mm	SHEET: 1 OF 1