

GT-TC155X-HXXXX-LX

G-SWITCH

Operating Force

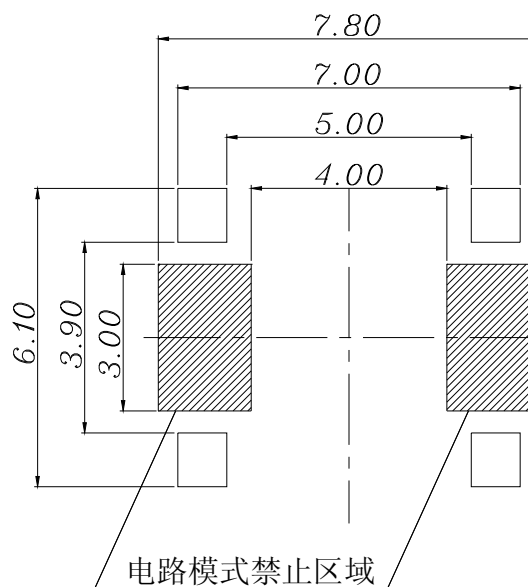
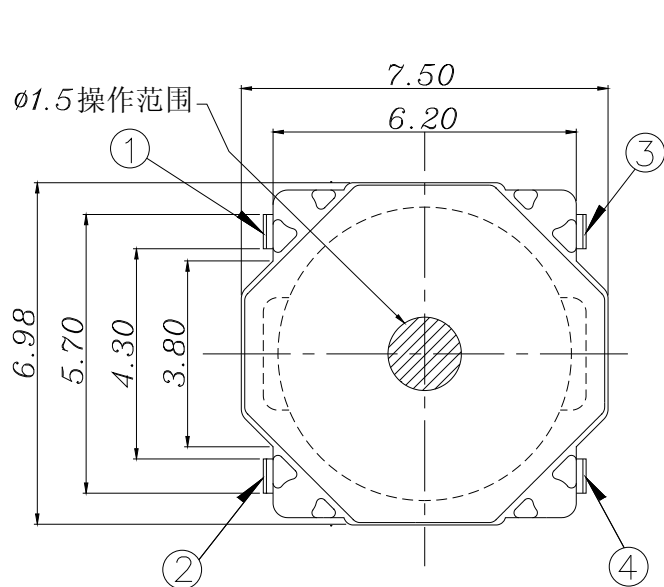
- A=160gf
- B=200gf
- C=100gf

Switch Height (mm)
H0060=0.60mm

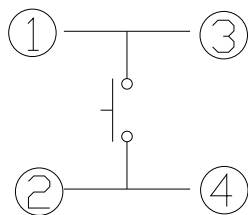
Switch lifetime (Force)
L50=50,00,000 Cycles

G-Switch Specification:

Operating temperature range -30 to +85
 Rating 50mA.12V DC
 Insulation resistance: 100MΩ min.100V DC
 Dielectric strength 250V AC for 1 min
 Contact resistance: 100m Ω max.
 Travel:0.25±0.1mm



P.C.B LAYOUT



CIRCUIT DIAGRAM



G-Switch Electronic (HongKong) CO.,Ltd.

Unless otherwise specified, Tolerance: X. ±0.30 X.x ±0.20 X.xx ±0.15 X.xxx ±0.10 Angles ±3°	DESIGN FengFengChen	DATE 2019.05.29	Molde code:		
	CHECKED	DATE	GT-TC155X-HXXXX-LX		
	APPROVED	DATE			
	http://www.dg-switch.com		REV.: X1	SCALE: 4:1	UNIT: mm
TEL:0769-82388879		SIZE: A4	SHEET: 1/1		