

GT-TC155X-HXXXX-LX

G-SWITCH

Operating Force

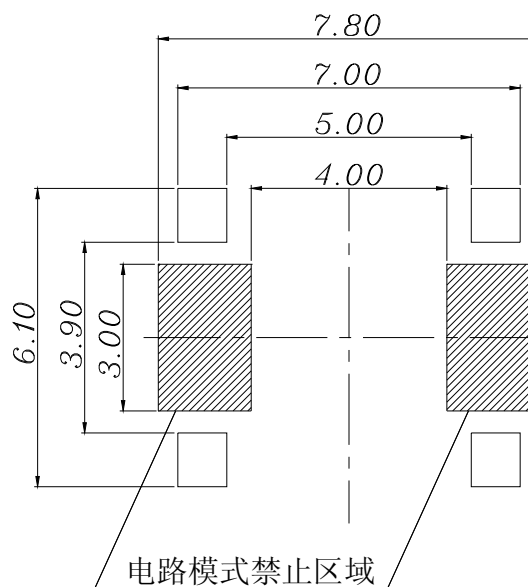
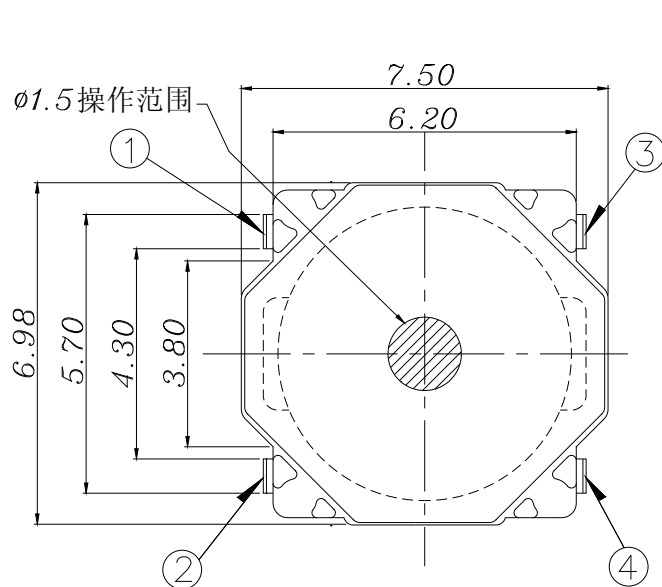
A=160gf
B=200gf
C=100gf

Switch Height (mm)
H0060=0.60mm

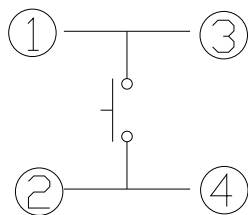
Switch lifetime (Force)
L50=50,00,000 Cycles

G-Switch Specification:

Operating temperature range -30 to +85
Rating 50mA.12V DC
Insulation resistance: 100MΩ min.100V DC
Dielectric strength 250V AC for 1 min
Contact resistance: 100m Ω max.
Travel:0.25±0.1mm



P.C.B LAYOUT



CIRCUIT DIAGRAM



G-Switch Electronic (HongKong) CO.,Ltd.

Unless otherwise specified, Tolerance:
X. ±0.30
X.x ±0.20
X.xx ±0.15
X.xxx ±0.10
Angles ±3°

DESIGN FengFengChen	DATE 2019.05.29
CHECKED	DATE
APPROVED	DATE
http://www.dg-switch.com	
TEL:0769-82388879	

Molde code: GT-TC155X-HXXXX-LX		
REV.: X1	SCALE: 4:1	UNIT: mm
SIZE: A4	SHEET: 1/1	