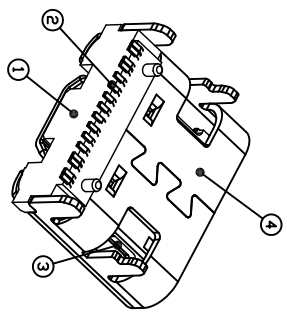
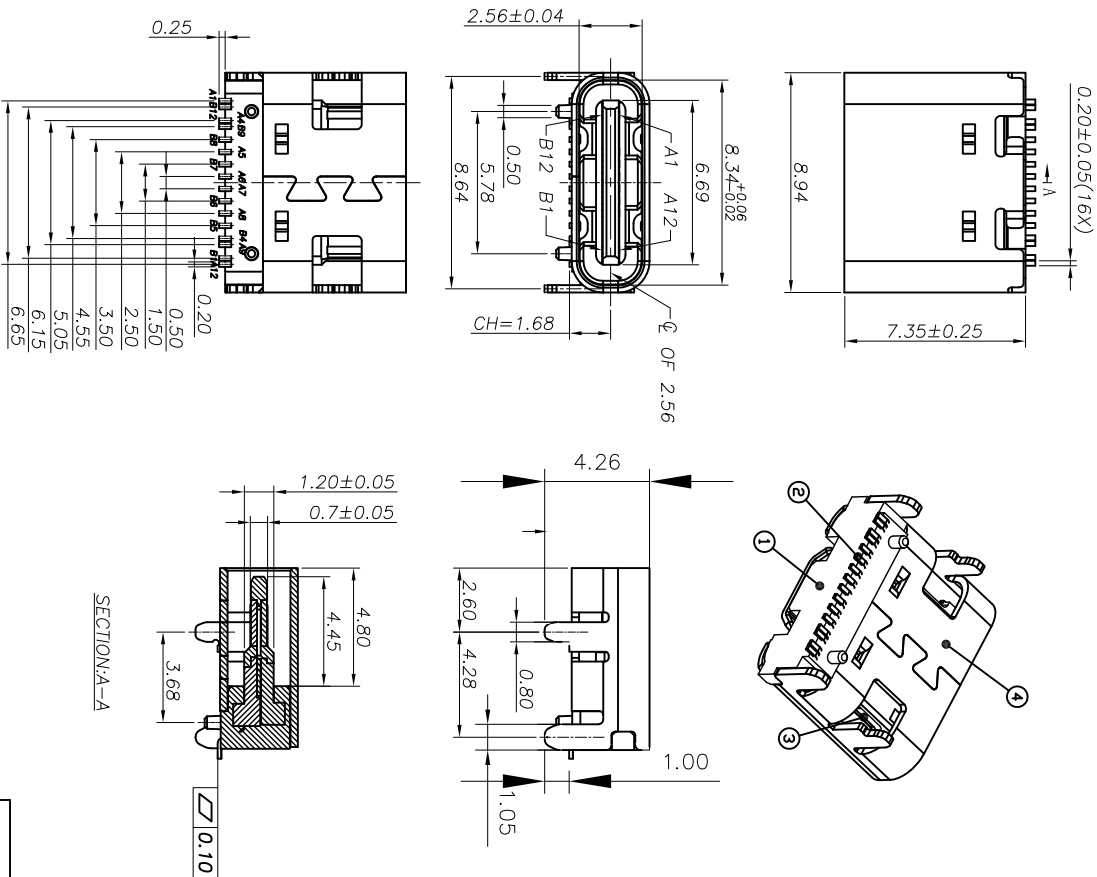


ROHS



- NOTE:
- MATERIAL SPECIFICATION:
1.HOUSING:HIGH TEMPERATURE RESISTANT PLASTIC,U194 V-0.
2.CONTACTS:COPPER ALLOY
3.MID PLATE: STAINLESS STEEL
4.FRONT SHELL: STAINLESS STEEL
 - PLATING SPECIFICATION:
2-1.CONTACTS:
Ni 50u" MIN. UNDER PLATED OVER ALL.
Au PLATED ON THE FUNCTIONAL AREA OF CONTACT.
(GOLD PLATING THICKNESS FOLLOW THE P/N)
PLATING SPECIFICATIONS OF THE SOLDER AREA FOLLOW THE P/N
 - 2-2.FRONT SHELL:
Ni 30u" MIN. UNDER PLATED OVER ALL.
 - 2-3.SHIELD PLATE&EMI PLATE:
CLEAR ONLY
 - 3.MECHANICAL PERFORMANCE:
3-1.INSERTION FORCE: 0.3~2.0kgf.
3-2.REMOVAL FORCE: 0.8kgf~2.0kgf.
3-3.DURABILITY: 10000 CYCLES.
 - ELECTRICAL PERFORMANCE:
4-1. CURRENT RATING:5.0A
VOLTAGE RATING:5.0V
 - 4-2. VBUS & GND PINS AND OTHER PINS: 40mΩ/PIN MAX.
SHIELD: 50mΩ/MAX.
LCR MAX. CHANGE OF ALL PINS: 10mΩ.
 - 4-3.INSULATION RESISTANCE: 100MΩ MIN
 - 4-4.DIELECTRIC WITHSTAND VOLTAGE,AC 100V FOR 1 MINUTE.
 - ENVIRONMENTAL PERFORMANCE:
5. OPERATING TEMPERATURE: -25C~+85C.
6.IR REFLOW:
THE PEAK TEMPERATURE ON THE BOARD SHALL BE MAINTAINED FOR 10 SECONDS AT 260C.

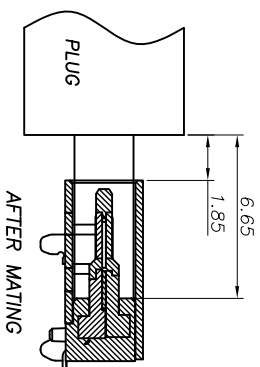
产品图
公差一览表
PRODUCT CHART DWG

TOLERANCE UNLESS OTHERWISE	公差一览表
X ±0.25	X ±5°
X ±0.20	X ±2°
XX ±0.05	XX ±1°
XXX ±0.02	XXX ±0.5°
UNIT	单位
MM	MM
SCALE	比例
1:1	1:1
DATE	日期
2020-05-22	2020-05-22
DRAWING	制图
YANG	YANG
CHECK	审核
GUO	郭治富
APPRO	核准
YANG	黄国荣
PRODUCT PART NO	制料号
918-418K2023S40042	918-418K2023S40042
PRODUCT NO	产品名称
TYPE-C 16P四脚1.0 无弹7.35	TYPE-C 16P四脚1.0 无弹7.35
VIEW	角法
VER	版本
AD	AD

深圳市精拓金电子有限公司
Shenzhen Jing Tuo Jin Electronics Co., Ltd.

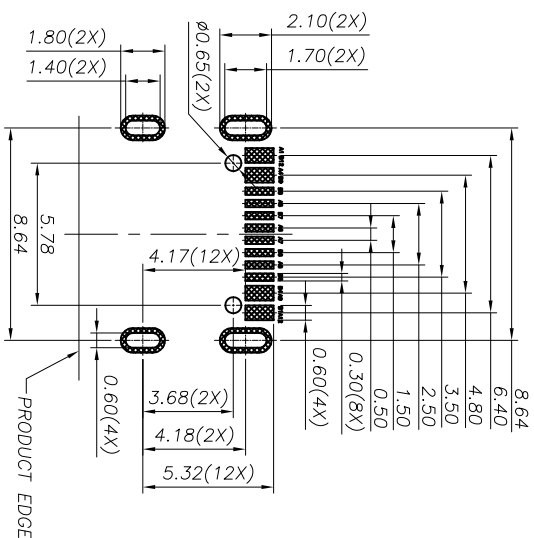
MAPX	MODIFICATION	DRW	DATE

ROHS



USB TYPE-C PIN ASSIGNMENTS

PIN NUMBER	SIGNAL NAME	PIN NUMBER	SIGNAL NAME
A1	GND	B12	GND
A4	VBUS	B9	VBUS
A5	CC1	B8	SBU2
A6	Dp1	B7	Dn2
A7	Dn1	B6	Dp2
A8	SBU1	B5	CC2
A9	VBUS	B4	VBUS
A12	GND	B1	GND



RECOMMENDED PCB LAYOUT(TOP VIEW)
THICKNESS: 0.80MM;DEFAULT TOLERANCE:±0.05

MAPX	MODIFICATION	DRW	DATE

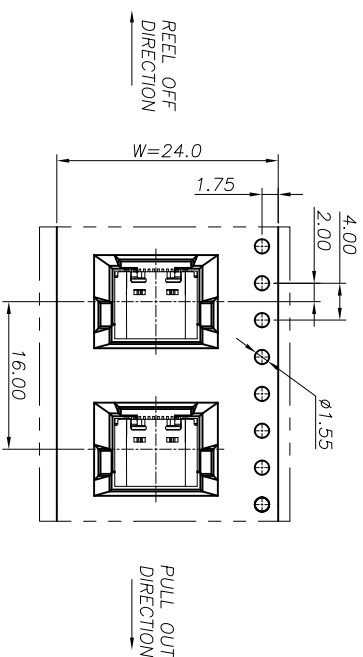
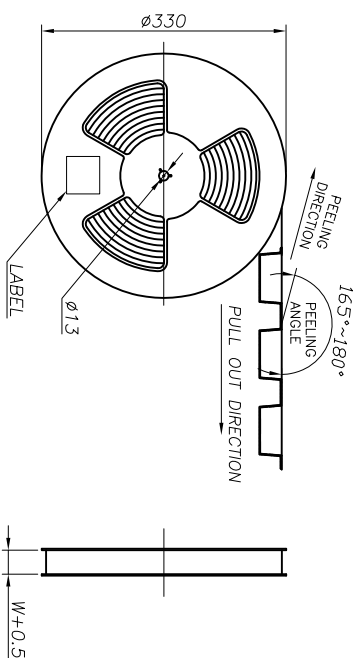
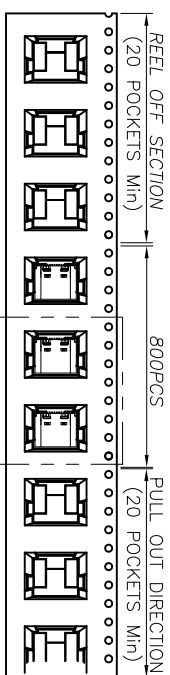
产品图
PRODUCT CHART DWG
公差一览表

TOLERANCE	UNLESS OTHERWISE	OTHERWISE
X	±0.25	X
X	±0.20	X
XX	±0.05	XX
XXX	±0.02	XXX

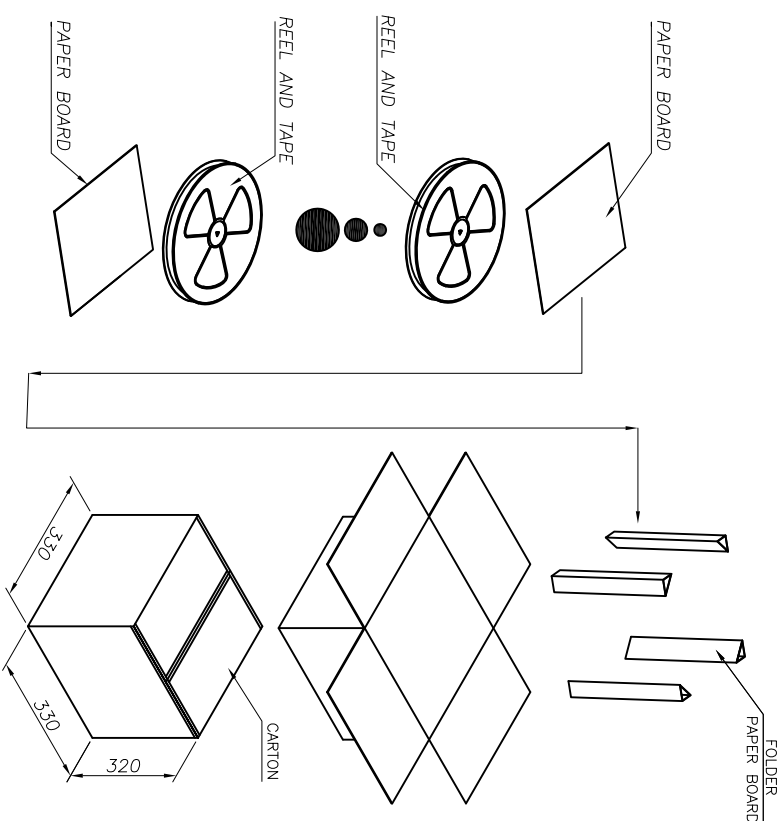
深圳市精拓金电子有限公司
Shenzhen Jing Tuo Jin Electronics Co., Ltd.

单位	UNIT	MM
比例 <td>SCALE</td> <td>1:1</td>	SCALE	1:1
日期 <td>DATE</td> <td>2020-05-22</td>	DATE	2020-05-22
制图 <td>DRAWING</td> <td>YANG</td>	DRAWING	YANG
审核 <td>CHECK</td> <td>郭治富</td>	CHECK	郭治富
批准 <td>APPRO</td> <td>黄国荣</td>	APPRO	黄国荣
制图料号 <td>PRODUCT PART NO.</td> <td>TYPE-C 16P四脚1.0 无弹7.35</td>	PRODUCT PART NO.	TYPE-C 16P四脚1.0 无弹7.35
产品名称 <td>PRODUCT NO.</td> <td> </td>	PRODUCT NO.	
角法 <td>VIEW</td> <td> </td>	VIEW	
版本 <td>VER</td> <td>AD</td>	VER	AD

ROHS



包装示意图



产品图
PRODUCT CHART DWG

公差一览表
TOLERANCE UNLESS OTHERWISE

X	± 0.25	X	$\pm 5^{\circ}$	单位 UNITS	MM	制图 DRAWING	YANG	制料号 PRODUCT PART NO.	TYPE-C 16P四脚1.0 无弹7.35
X	± 0.20	X	$\pm 2^{\circ}$	比例 SCALE	1:1	审核 CHKD	郭治富	产品名称 PRODUCT NO.	
XX	± 0.05	XX	$\pm 1^{\circ}$	日期 DATE	2020-05-22	核准 APRD	黄国荣	角法 VIEW	
XXX	± 0.02	XXX	$\pm 0.5^{\circ}$					版本 VER	AD

深圳市精拓金电子有限公司
Shenzhen Jing Tuo Jin Electronics Co., Ltd.

MAPX

MODIFICATION

DRW

DATE

1 2 3 4 5 6 7 8 9 10

1 2 3 4 5 6 7 8 9 10

G F E D C B A G