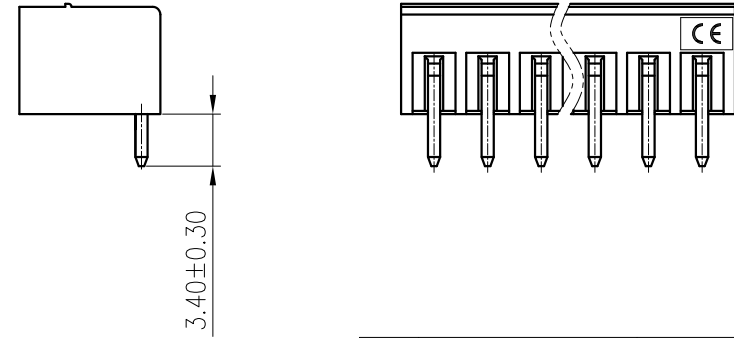
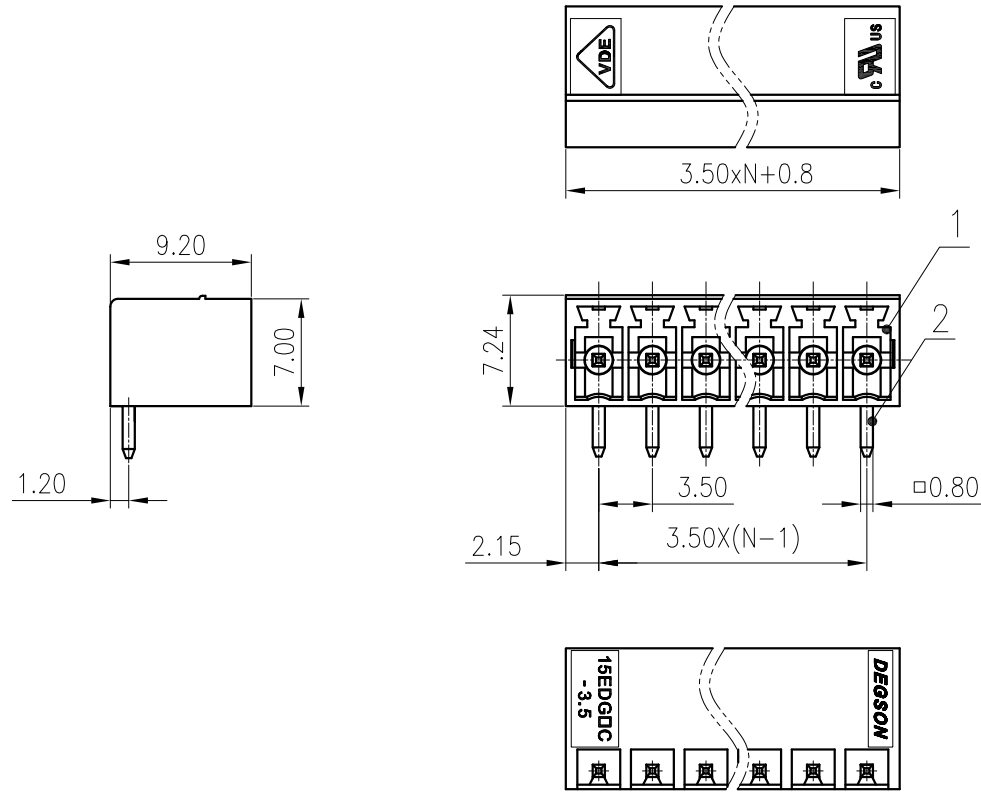


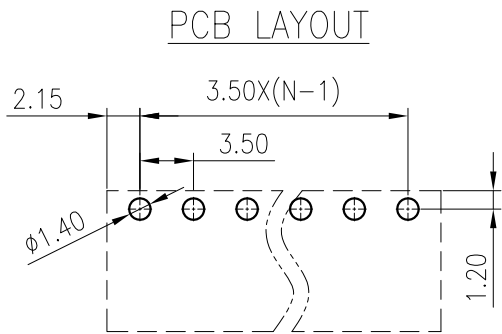
未注公差/General tolerances(mm)													0.1/10
0	>3	>6	>10	>18	>30	>50	>80	>120	>180	>250	>315	>400	
~3	~6	~10	~18	~30	~50	~80	~120	~180	~250	~315	~400	~500	~2.50
±0.12	±0.18	±0.22	±0.26	±0.31	±0.37	±0.57	±0.80	±0.93	±1.05	±1.15	±1.60	±2.20	±2.50

文管中心
研发专用
2020.03.19
(仅限内部使用, 对外无效)



2	Pin	Copper Alloy	Sn Plated
1	Housing	PA66	UL94V-0
ITEM	NAME OF PART	MATERIAL	NOTES

UL 标准/UL Standard:		B	C	D
额定电压/电流/Rated Voltage(V)/Current(A)		300/8	/	300/8
EC 标准/EC Standard:				
过压类别/Overvoltage Category/污染等级/Pollution Degree		II/2		
额定电压/电流/Rated Voltage(V)/Current(A)		250/7		
额定脉冲电压(KV)/Rate Impulse Voltage(KV)		2.5		
间距/Pitch(mm)/线数范围/Poles		3.50/N=02~24P		
使用温度范围/Operating temperature(°C)		-40~+105		
符合RoHS环保要求/Conform to RoHS		Yes		



T1		Drawing Update	CenK	2020.03.19
REV	ECN	DESCRIPTION	DRFT	DATE

MATERIAL: /	SURFACE: /		
MAT NO.: /	宁波高松电子有限公司 NINGBO DEGSON ELECTRICAL CO., LTD		
STATUS: /			
APPD: Lan ChH 2020.03.19	NAME: 15EDGRC-3.5-XXP-1Y-00A(H)		
CHKD: Yu JZh 2020.03.19	DRAWING NO.: 15EDGRC-3.5-C02		
DRFT: Yz 2015.10.12	REV	T1	
SIZE: A4	TYPE: CUSTOMER DRAWING	SCALE: 2:1	SHEET 1/1