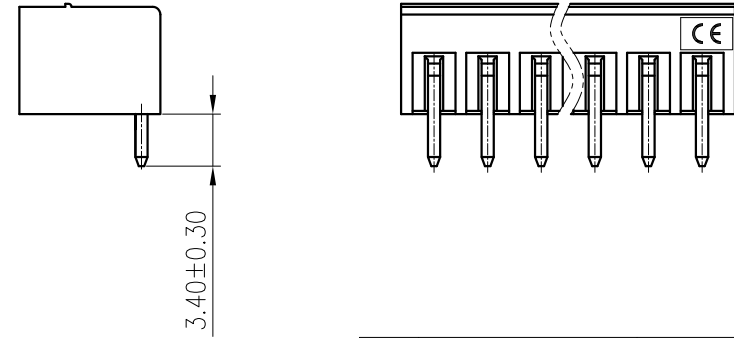
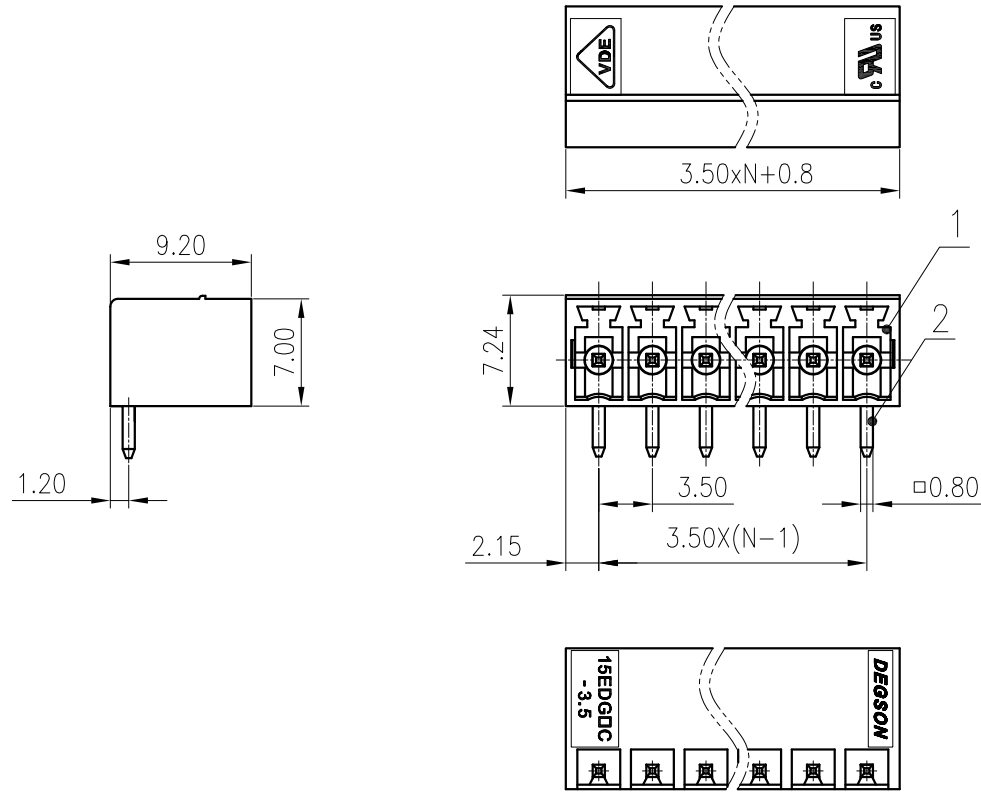


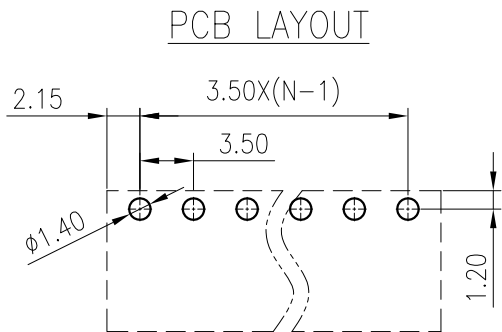
未注公差/General tolerances(mm)													0.1/10	
0 ~ 3	>3 ~ 6	>6 ~ 10	>10 ~ 18	>18 ~ 30	>30 ~ 50	>50 ~ 80	>80 ~ 120	>120 ~ 180	>180 ~ 250	>250 ~ 315	>315 ~ 400	>400 ~ 500		>500
±0.12	±0.18	±0.22	±0.26	±0.31	±0.37	±0.57	±0.80	±0.93	±1.05	±1.15	±1.60	±2.20	±2.50	±2'

文管中心  
研发专用  
2020.03.19  
(仅限内部使用, 对外无效)



ITEM	NAME OF PART	MATERIAL	NOTES
2	Pin	Copper Alloy	Sn Plated
1	Housing	PA66	UL94V-0

JL 标准/UL Standard:	B	C	D
额定电压/电流/Rated Voltage(V)/Current(A)	300/8	/	300/8
EC 标准/IEC Standard:			
过压类别/Overvoltage Category/污染等级/Pollution Degree	II/2		
额定电压/电流/Rated Voltage(V)/Current(A)	250/7		
额定脉冲电压(KV)/Rate Impulse Voltage(KV)	2.5		
间距/Pitch(mm)/线数范围/Poles	3.50/N=02~24P		
使用温度范围/Operating temperature(°C)	-40~+105		
符合RoHS环保要求/Conform to RoHS	Yes		



REV	ECN	DESCRIPTION	DRFT	DATE
T1		Drawing Update	CenK	2020.03.19

MATERIAL: /	SURFACE: /		
MAT NO.: /	宁波高松电子有限公司 NINGBO DEGSON ELECTRICAL CO., LTD		
STATUS: /			
APPD: Lan ChH 2020.03.19	NAME: 15EDGRC-3.5-XXP-1Y-00A(H)		
CHKD: Yu JZh 2020.03.19	DRAWING NO.: 15EDGRC-3.5-C02		
DRFT: Yz 2015.10.12	TYPE: CUSTOMER DRAWING		REV T1
SIZE: A4	SCALE: 2:1	SHEET 1/1	