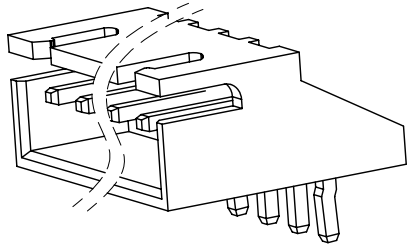
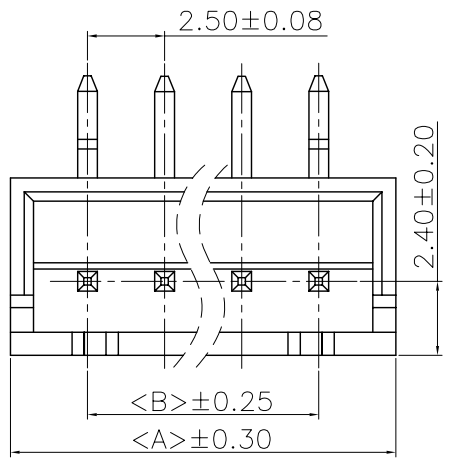
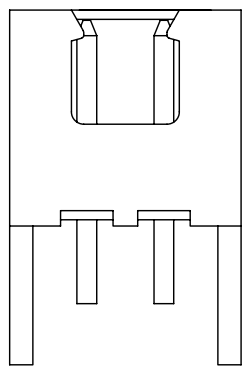
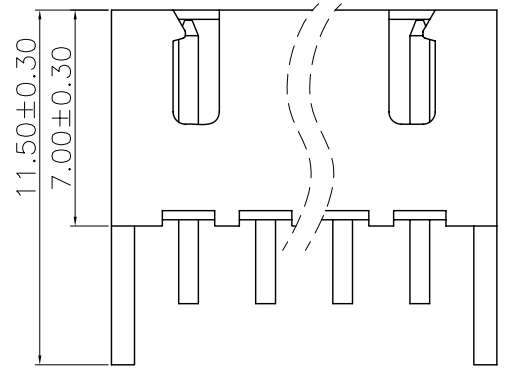


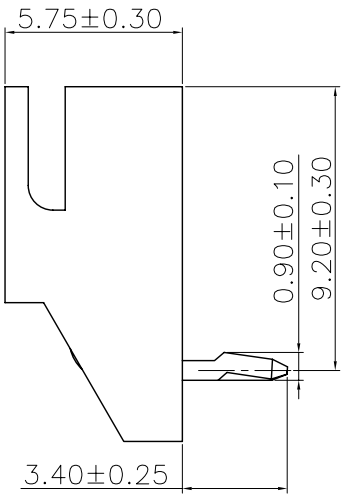
REV.	ECN NO.	DESCRIPTION	DATE	DESIGN
A				



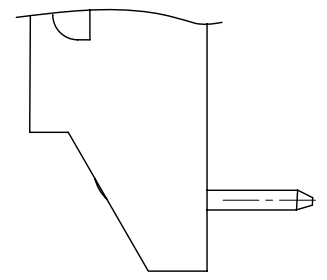
Specifications:
 Current rating:3A AC/DC.
 Voltage rating:250V AC/DC
 Temperature range:-40°C~+105°C.
 Contact resistance:10MΩ Max.
 Insulation resistance:1000MΩ Min.
 Withstanding voltage: 800V AC/minute.
 Material:PA66.UL94V-0.



2P视图



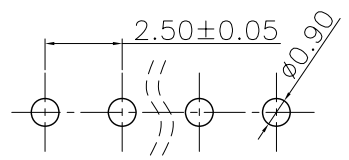
打反“K”



无“K”

PART NO. (90°)	Dimensions	
	A	B
A2501WR-02P	7.50	2.50
A2501WR-03P	10.00	5.00
A2501WR-04P	12.50	7.50
A2501WR-05P	15.00	10.00
A2501WR-06P	17.50	12.50
A2501WR-07P	20.00	15.00
A2501WR-08P	22.50	17.50
A2501WR-09P	25.00	20.00
A2501WR-10P	27.50	22.50
A2501WR-11P	30.00	25.00
A2501WR-12P	32.50	27.50
A2501WR-13P	35.00	30.00
A2501WR-14P	37.50	32.50
A2501WR-15P	40.00	35.00
A2501WR-16P	42.50	37.50

Recommended P.C.B Layout(Top Side)
 P.C.B Thickness = 1.20mm
 (Tolerance=±0.05)



DIM	TOL	DIM	TOL
X.	/	X'.	/
X.X	0.25	X.X'	/
X.XX	0.15	X.XX'	/
X.XXX	0.10	X.XXX'	/

CNJM Joint More Precision electronics Co.,Ltd.

DRAW NO.	DATE	P/N NO:	DRAW NAME:
DESIGN: 陈雪峰	2017.06.03	A2501WR-NP	2.5mm pitch 90° wafer
CHECK: 杨焯			
REVIEW:		REV. A/1	SCALE 1:1
		UNIT: mm	SHEET: 1 OF 1