

## ■ Features

- Molding Inductor.
- Low Profile,Low Temp.
- Large Current(Over 15A).
- Customize For Different Need.
- Operating temperature:-40°C ~ +125°C.

## ■ Applications

- General Electronic.
- Video Device,TV,TFT.
- Power Module for PC.
- NB/Lap Top Computer.
- Server,VGA Card/Module.

## ■ Product Identification

$\frac{\text{YSPI}}{(1)}$      $\frac{\square\square\square\square}{(2)}$  -  $\frac{\square\square\square}{(3)}$      $\frac{\square}{(4)}$

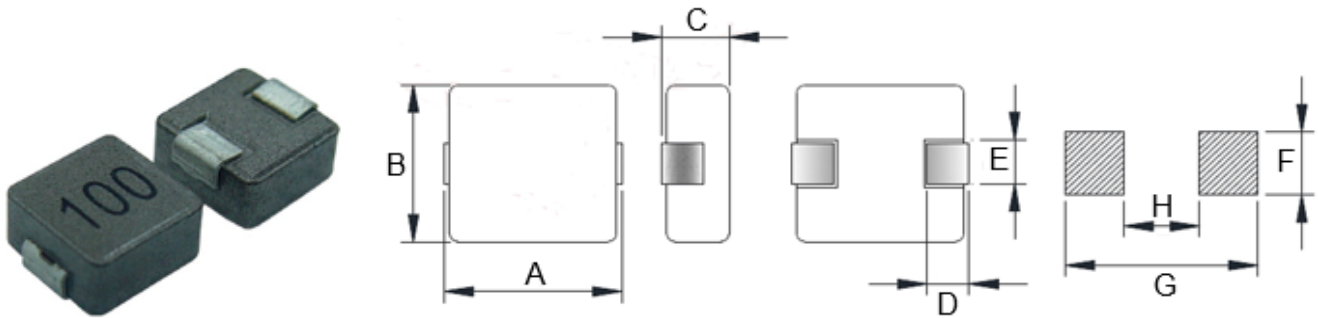
(1) : Type

(2) : Dimensions

(3) : Inductance value

(4) : Inductance Tolerance : N=±30%,M=±20% , K=±10%

## ■ Shapes and Dimensions (Unit: mm)



TYPE	A Max.	B	C Max.	D	E	F Ref.	G Ref.	H Ref.
YSPI1040	11.6	10.1±0.3	4.0	2.5±0.5	2.5±0.5 3.0±0.5	4.0	13.0	6.0

## ■ YSPI1040 Series

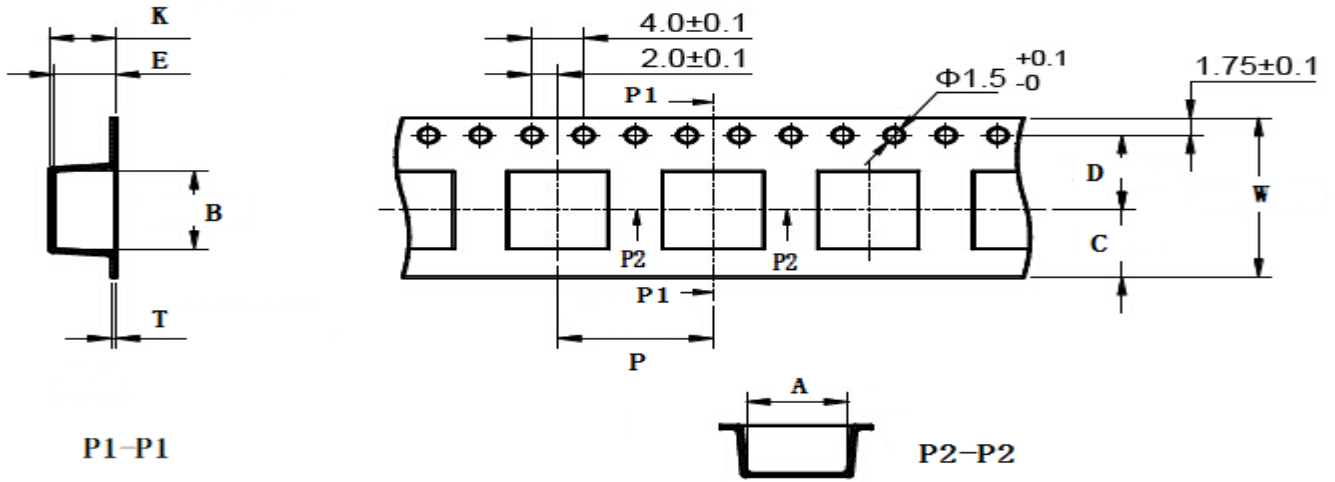
Part Number	Inductance (uH) @100KHz	DC Resistance (mΩ) Max.	Heat Rating Current (A)	Saturation Current (A)
YSPI1040-R22M	0.22±20%	0.8	30.0	45.0
YSPI1040-R36M	0.36±20%	1.2	27.0	42.0
YSPI1040-R47M	0.47±20%	1.5	25.0	32.0
YSPI1040-R56M	0.56±20%	1.8	24.0	31.0
YSPI1040-1R0M	1.0±20%	3.1	20.0	26.0
YSPI1040-1R5M	1.5±20%	4.2	16.0	22.0
YSPI1040-2R2M	2.2±20%	7.0	14.0	16.0
YSPI1040-3R3M	3.3±20%	13.2	11.0	12.0
YSPI1040-4R7M	4.7±20%	16.5	9.0	12.0
YSPI1040-5R6M	5.6±20%	20.0	7.0	11.0
YSPI1040-6R8M	6.8±20%	25.0	6.0	10.0
YSPI1040-8R2M	8.2±20%	30.0	6.0	9.0
YSPI1040-100M	10±20%	30.0	5.5	7.0
YSPI1040-150M	15±20%	45.0	5.2	6.0

## ■ YSPI1040 Series

Part Number	Inductance (uH) @100KHz	DC Resistance (mΩ) Max.	Heat Rating Current (A)	Saturation Current (A)
YSPI1040-220M	22±20%	72.0	5.0	5.5
YSPI1040-330M	33±20%	110	3.2	5.0
YSPI1040-470M	47±20%	158	2.8	3.7
YSPI1040-560M	56±20%	180	2.6	3.5
YSPI1040-680M	68±20%	195	2.5	2.6
YSPI1040-820M	82±20%	250	2.2	2.3
YSPI1040-101M	100±20%	300	1.5	2.0

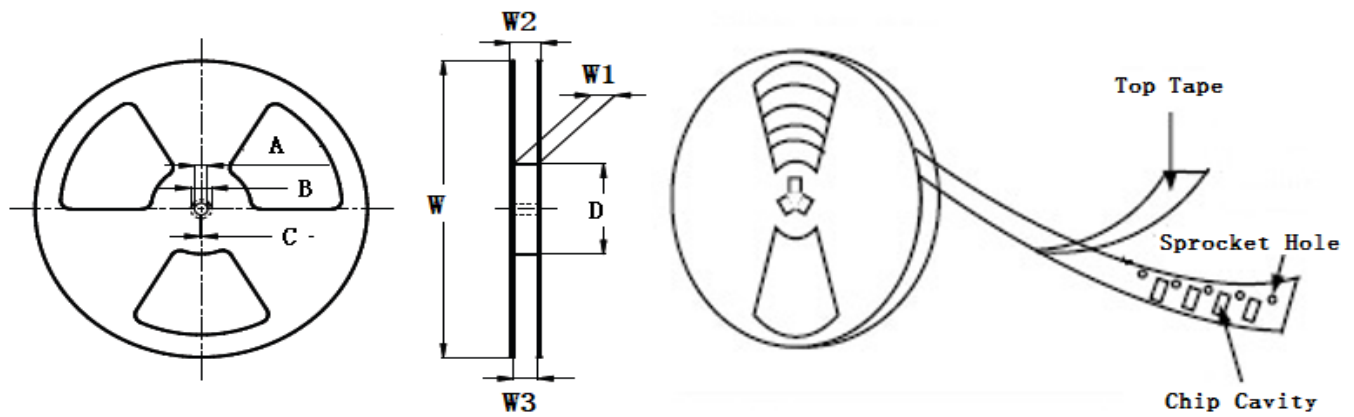
- ※ The saturation current value is the DC current value having inductance decrease down to 30%. (at 20°C)
- ※ The temperature rise current value is the DC current value having temperature increase up to 40°C. (at 20°C)
- ※ The rated current is the DC current value that satisfies both of current value saturation current value and temperature rise current value.

**■ Taping Dimensions(Unit:mm)**



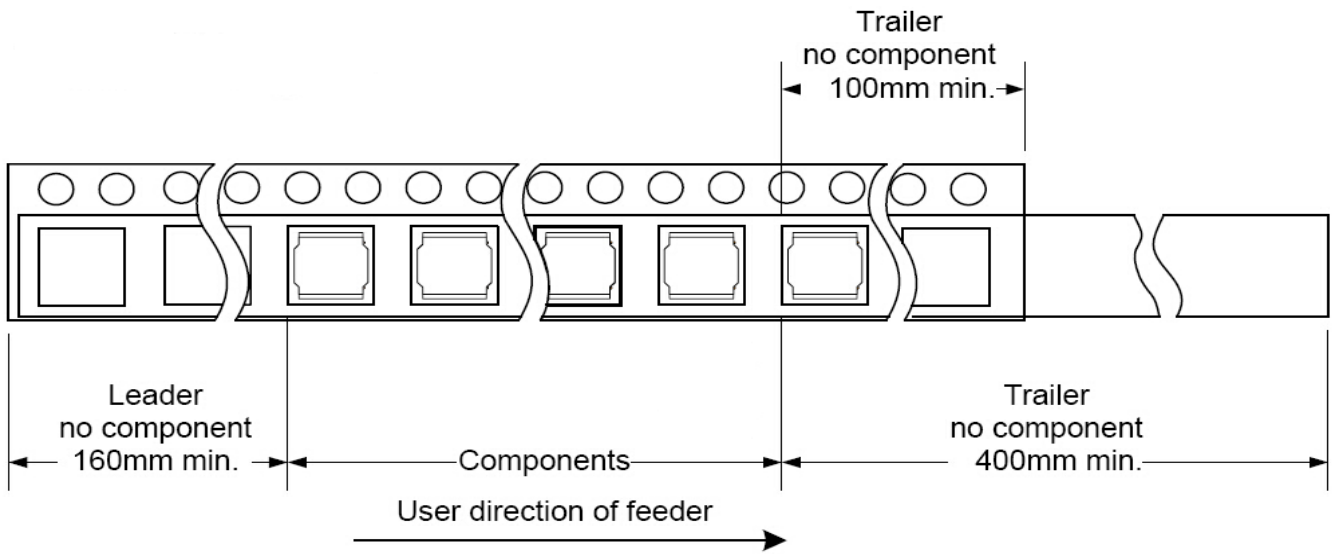
TYPE	W	A	B	C	D	E	P	K Ref	T	MPQ
YSPI1040	24±0.3	10.6±0.1	11.45±0.1	10.75	11.5±0.1	4.4±0.1	16±0.1	4.2	0.40±0.05	500

**■ Reel Dimensions(Unit:mm)**

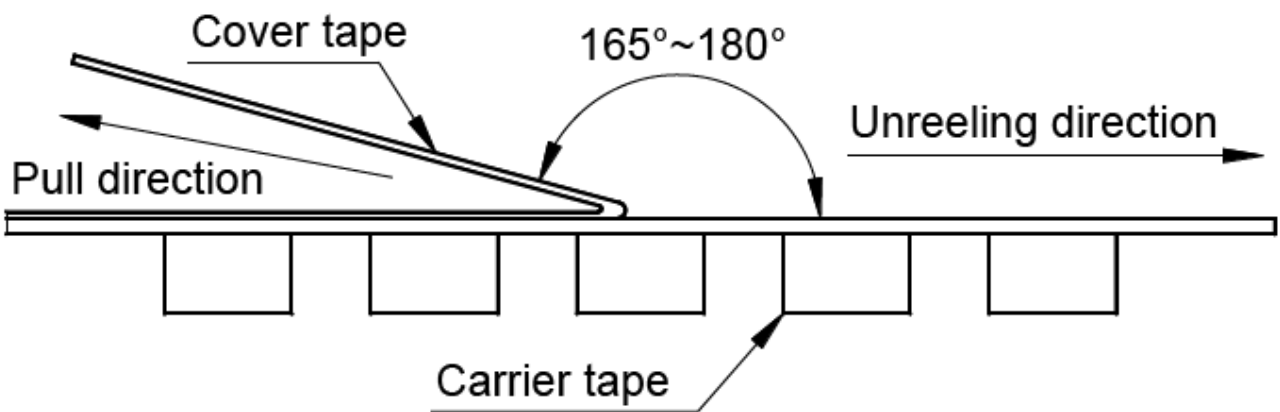


TYPE	W	W1	W2	W3	A	B	C	D
YSPI1040	330±2.0	24.4±1.5	30.4MAX	23.9 Min	13.0±0.50	21.0±0.80	2.0±0.50	100 Min

**Direction of rolling**



**Cover tape peel off condition**



Cover tape peel force shall be 0.1N to 1.3N.

Reference peel speed  $300 \pm 10$  mm/min.