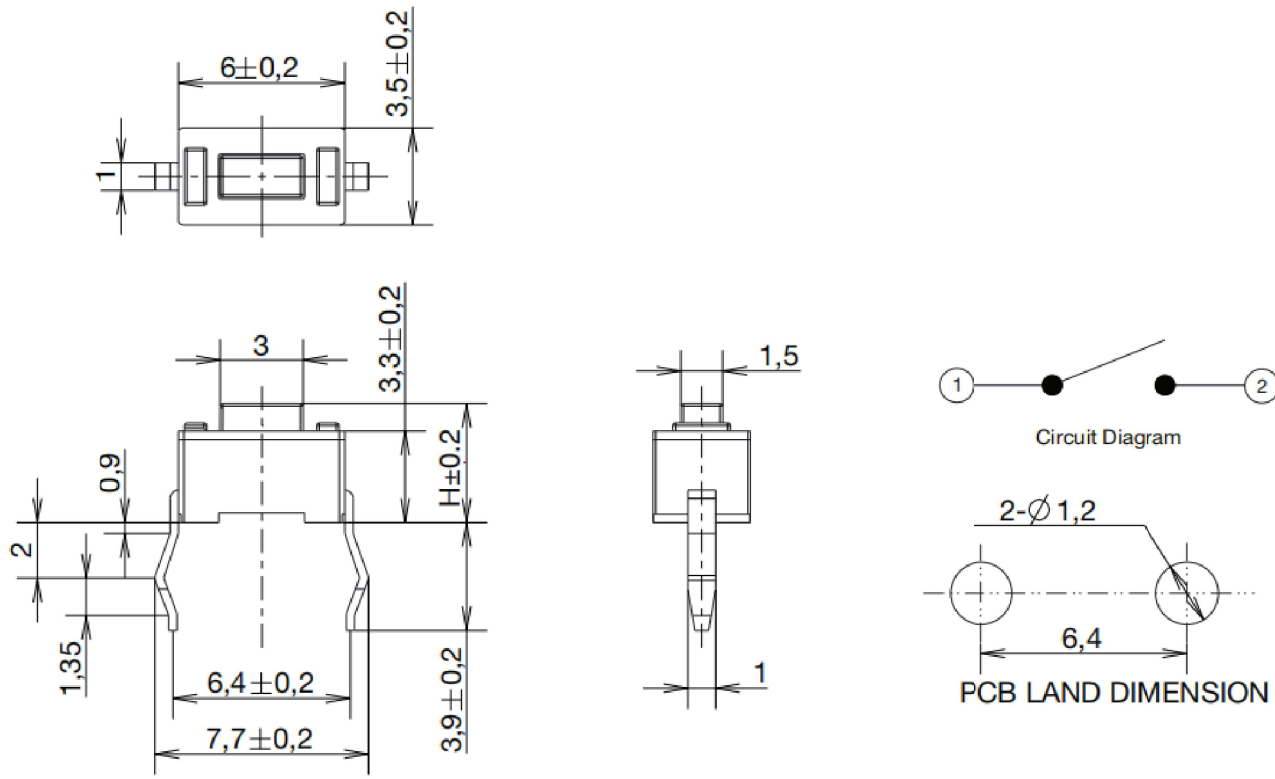


RoHS

CAD GENERATED DRAWING. DON'T CHANGE BY HAND.

REV.	ECN. NO.	APPD.



Specification

Maximum Voltage	16VDC
Maximum Current DC	50mA
Dielectric Strength	100 VA C(1mm)
Contact Resistance	≤100mΩ
Insulation Resistance	≥100MΩ
Operating Temperature	-40C° to 85C°
Bounce Time	≤10 ms

Packaging
1000pcs of bulk.
Dimensions of reels according to EIA 481B center.
External diameter 330mm

Mechanical

Part Number	Operating Force (gf)	Life Cycles	Travel	Height mm
YTS636SL43	130±50	50,000	0.25±0.1	4.3
YTS636SM43	180±50	50,000	0.30±0.1	4.3
YTS636SK43	250±50	50,000	0.30±0.1	4.3
YTS636SP43	320±50	50,000	0.30±0.1	4.3
YTS636SL50	130±50	50,000	0.25±0.1	5.0
YTS636SM50	180±50	50,000	0.30±0.1	5.0
YTS636SK50	250±50	50,000	0.30±0.1	5.0
YTS636SP50	320±50	50,000	0.30±0.1	5.0

X. ±0.50	X.° ±2°	UNITS mm
.X ±0.30	.X° ±1°	
.XX ±0.10	.XX° ±0.5°	MAT'L
.XXX ±0.05		FINISH
		Q'TY

yiYUAN 深圳市怡远科技有限公司
SHENZHEN YIYUAN TECHNOLOGY CO., LTD

PART NO. YTS636 THT TITLE: TACTILE SWITCH 6*3.5

APPD: ROGER DWG NO.: YTS636 THT

CHKD: ROC

DR: BILLY WANG 2020/08/21

SCALE SHEET REV. 1/1 1/1 A1

THESE DRAWINGS AND SPECIFICATIONS ARE THE PROPERTY OF YIYUAN TECHNOLOGY CO.,LTD AND SHALL NOT BE REPRODUCED, COPIED OR USED IN ANY MANNER WITHOUT THE PRIOR WRITTEN CONSENT OF YIYUAN TECHNOLOGY CO.,LTD