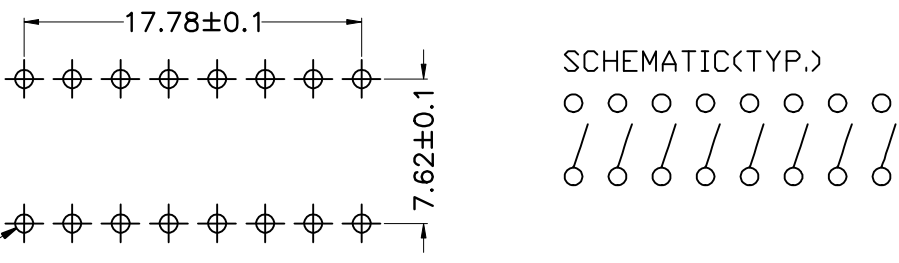
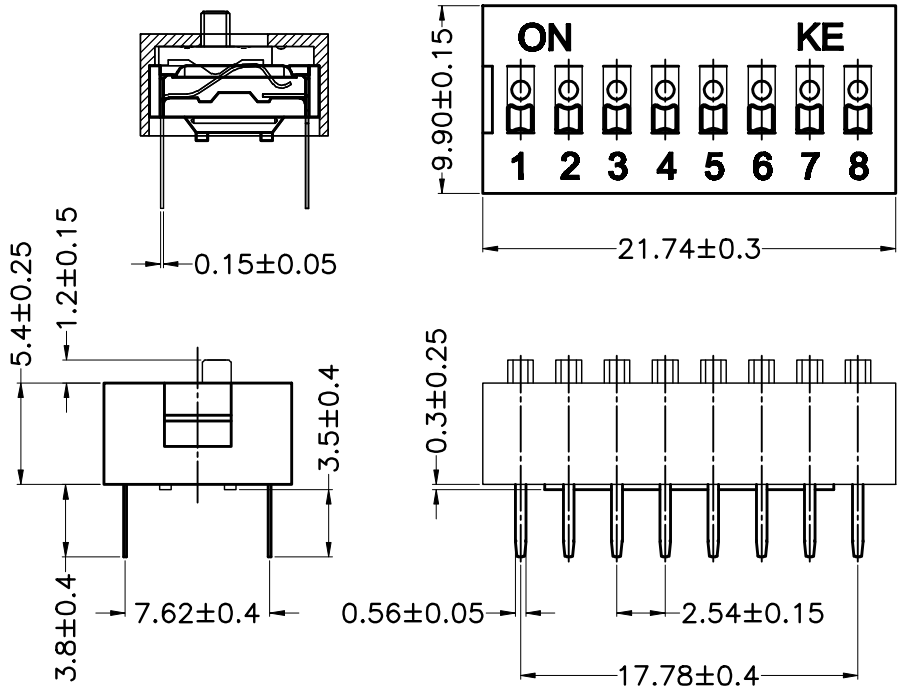


PRODUCT NO. DSWB08LHGETB	1 2 3 4 5 6
RoHS compliant	REV. ECN NO. DR DATE

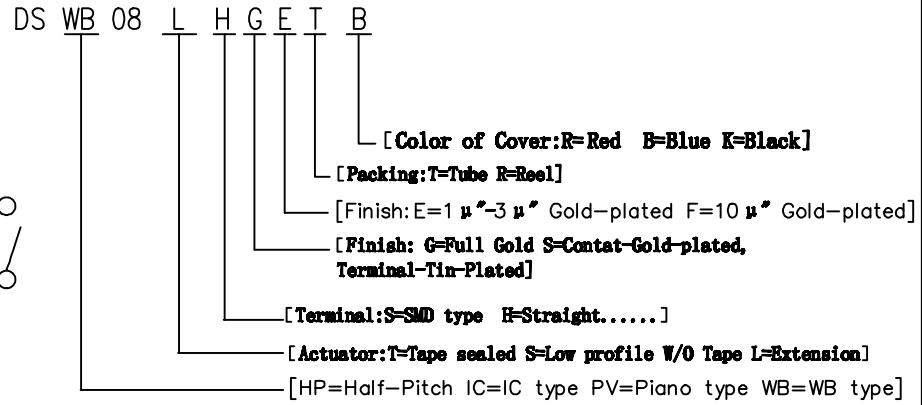


PCB Layout

- 注意:**
1. 波峰焊: 推荐焊锡温度在270℃±5℃, 浸锡时间为5~6秒钟。
 2. 手工焊: 使用30瓦烙铁控制温度在320℃, 焊接时间大约2~3秒钟。
 3. 拨柄位置: 产品焊接时, 请将产品的拨柄置于OFF端, 能给予产品更好的接触性能。
 4. 清洗过程: 清洗使用超音波方式, 能给予更好的效果。

- Note:**
1. All dimensions are in millimeters.
 2. General tolerance: ±0.2mm.
 3. Material:
 - Base: UL94V-0 PBT Thermoplastic (Black).
 - Cover: UL94V-0 PBT Thermoplastic (Black/Red/Blue).
 - Actuators: UL94V-0 PBT Thermoplastic (White).
 - Contact plating: Gold plating over nickel.
 - Pitting material: Epoxy.
 4. Electrical
 - Electrical: 2000 Operations per switch 24/VDC, 25mA.
 - Non-Switching Rating: 100mA, 50/VDC.
 - Switching Rating: 25mA, 24/VDC
 - Contact Resistance: 100 mΩ Max. at initial.
 5. Mechanical
 - Mechanical life: 2000 Operations per switch.
 - Stroke: 2.0mm.
 - Operation Temp: -20℃ to 70℃.
 - Storage Temp: -40℃ to 85℃.

6. PART NUMBER DESCRIPTION:



TOLERANCE UNLESS OTHERWISE SPECIFIED		INSPECTION COPY	
LINER	ANGLES		
.0 ± 0.30	0. ± 1'	PROJECTION	TITLE
.00 ± 0.20	.0 ± 0.5'		BY DSWB SERIES PITCH 2.54mm
.000± 0.10	.00±		PRODUCT FAMILY DSWB SERIES
DESIGN	LU ER XIN	2013/07/02	PRAT NO. DSWB08LHGETB
DRAWING			FILE NO. DSWB08LHGETB-A
CHECK			SIZE A4
APPRO.			UNIT mm
			SCALE FIT
			SHEET 1 OF 1
			REV. A