

PRODUCT NO.	RoHS compliant
DSWB01LHGETB	

REV.	ECN NO.	DR	DATE

Note:

- All dimensions are in millimeters.
- General tolerance: ±0.2mm.
- Material:

Base:UL94V-0 PBT Thermoplastic(Black).
 Cover:UL94V-0 PBT Thermoplastic(Black/Red/Blue).
 Actuators:UL94V-0 PBT Thermoplastic(White).
 Contact plating:Gold plating over nickel.
 Pitting material:Epoxy.

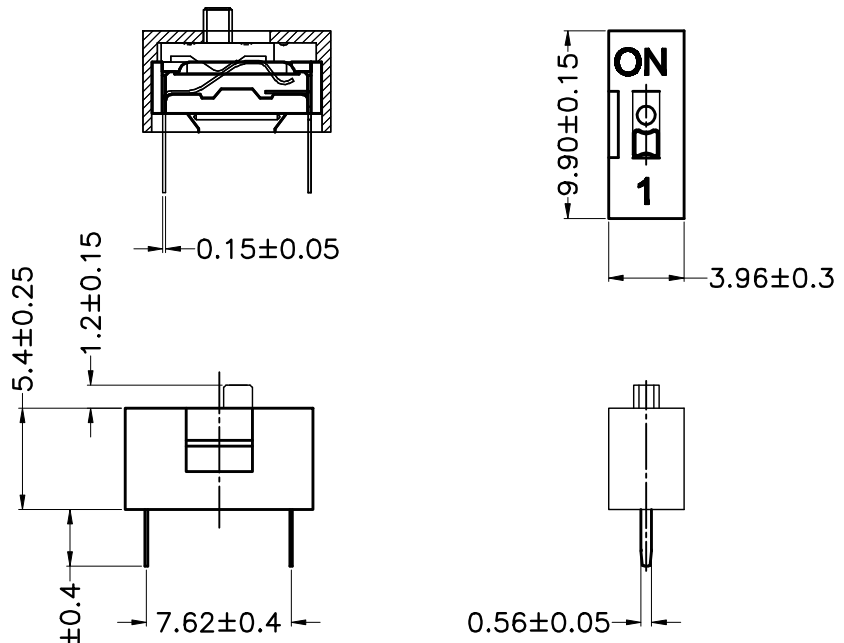
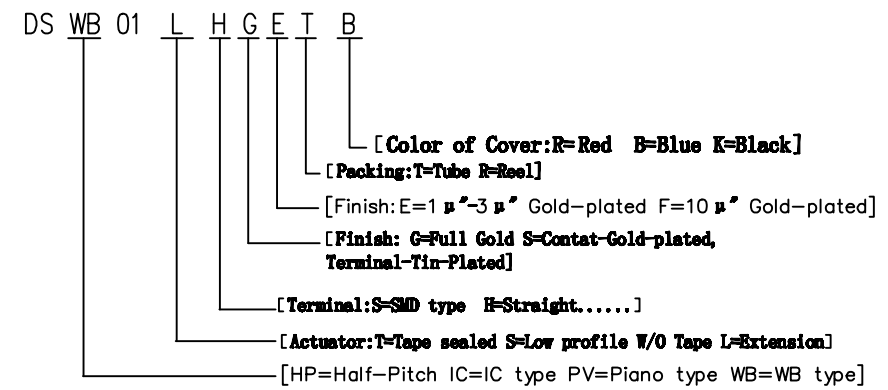
4. Electrical

Electrical:2000 Operations per switch 24/VDC, 25mA.
 Non-Switching Rating:100mA, 50/VDC.
 Switching Rating:25mA, 24/VDC
 Contact Resistance:100 mΩ Max.at initial.

5. Mechanical

Mechanical life:2000 Operations per switch.
 Stroke:2.0mm.
 Operation Temp:-20℃ to 70℃.
 Storage Temp:-40℃ to 85℃.

6. PART NUMBER DESCRIPTION:



SCHEMATIC(TYP.)



PCB Layout

注意:

- 波峰焊: 推荐焊锡温度在270℃±5℃, 浸锡时间为5~6秒钟。
- 手工焊: 使用30瓦烙铁控制温度在320℃, 焊接时间大约2~3秒钟。
- 拔柄位置: 产品焊接时, 请将产品的拔柄置于OFF端, 能给予产品更好的接触性能。
- 清洗过程: 清洗使用超声波方式, 能给予更好的效果。

TOLERANCE UNLESS OTHERWISE SPECIFIED		INSPECTION COPY	东莞市广普实业有限公司 DongGuan Kingtek Industrial Co., Ltd.
LINER	ANGLES	PROJECTION	
.0 ± 0.30	0. ± 1'		TITLE
.00 ± 0.20	.0 ± 0.5'		BY DSWB SERIES PITCH 2.54mm
.000± 0.10	.00±	PRODUCT FAMILY DSWB SERIES	
DESIGN	LU ER XIN	2013/07/02	PRAT NO. DSWB01LHGETB
DRAWING			FILE NO. DSWB01LHGETB-A
CHECK			SIZE UNIT SCALE SHEET REV.
APPRO.			A4 mm FIT 1 OF 1 A