

PRODUCT NO.	RoHS compliant
DSIC07THGET	

REV.	ECN NO.	DR	DATE

NOTES :

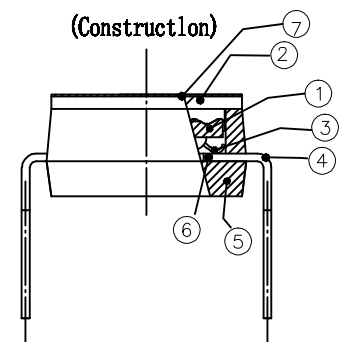
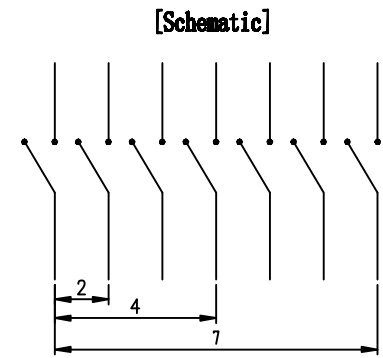
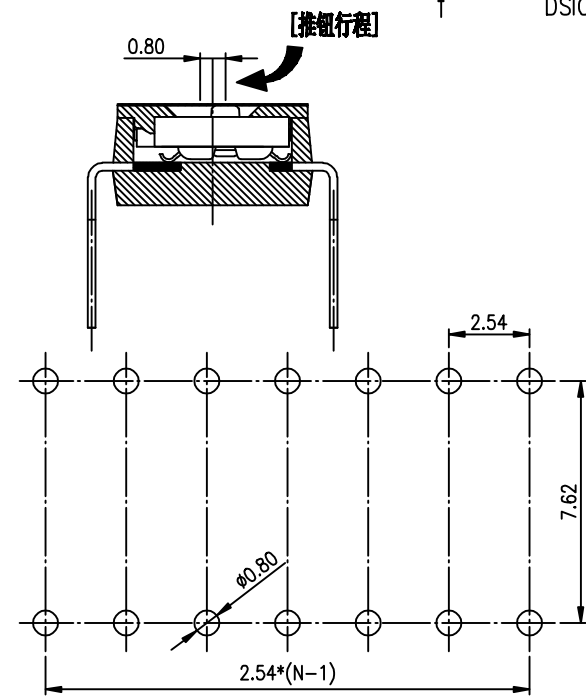
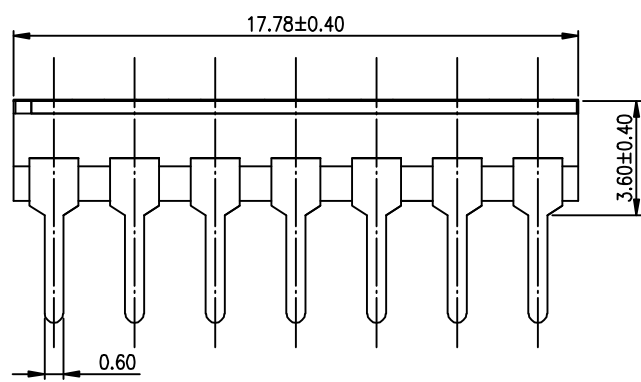
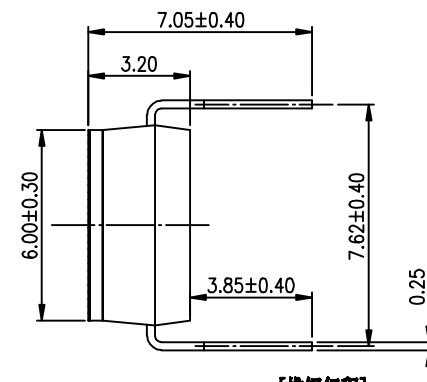
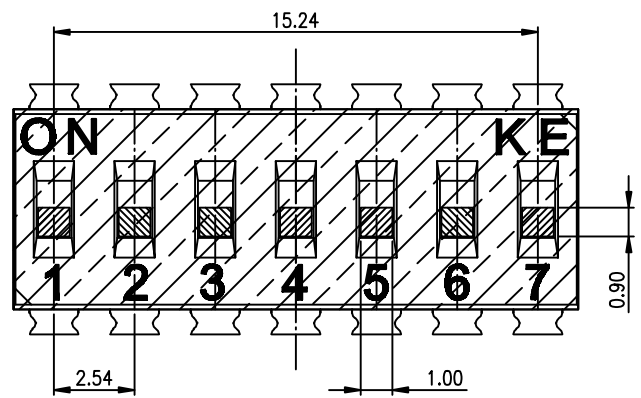
- Specification:
 - Operating force: 1000gf Max
 - Operating Temperature: -40° to +85°
 - Storage Temperature: -40° to +85°
 - Mechanical Life: 3000cycles minimum
 - Electrical Life: 2000cycles 25mA 24VDC

- PLATING:
 - GOLD FLASH 1u"~2u" SOLDER TAIL,
 - 1u"~3u" GOLD PLATING ON THE CONTACT AREA,
 - WITH 50u" NICKEL UNDERPLATING OVERALL.

3. PART NUMBER DESCRIPTION

DSIC XX T H G E T

- [包装方式: T=管装 R=Reel]
- [电镀层: E=接触部 1u"~3u" / 焊尾部 1u"~2u"]
- [G=镀金 S=内金外镍]
- [脚型: S脚 / J脚 / B脚 / A脚 / Z脚]
- [T=低推贴胶 S=低推不贴胶 L=长推]
- [产品数: 01=1P 03=3P 12=12P]



RECOMMENDED P.C.B. LAYOUT (TOP VIEW)

Number	Part Name	Material	Finished	TOLERANCE UNLESS OTHERWISE SPECIFIED		INSPECTION COPY	DRAWING CHECK APPRO.	DRAWING	DESIGN	DATE	FILE NO.	SIZE			
				LINER	ANGLES							A4	UNIT	SCALE	SHEET
①	Actuator	UL94 V0	White	.0 ± 0.25	0. ± 2'	COPY	PROJECTION	2012/04/12	kathy	2012/04/12	DSIC07THGET-A	2 : 1	1 OF 1	A	
②	Cover	UL94 V0	Black	.00 ± 0.15	.0 ± 1'										
③	Movable	Copper Alloy	1u"~3u"Gold	.000 ± 0.10	.00 ± 0.5'										
④	Terminal	Brass	1u"~2u"Gold												
⑤	Base	UL94 V0	Black												
⑥	Terminal Contact	Brass	1u"~3u"Gold												
⑦	Marly	UL94 V0	0.05mm												

KE 东莞市广普实业有限公司
DongGuan Kingtek Industrial Co., Ltd.

TITLE: BY DSIC SERIES PITCH 2.54mm
PRODUCT FAMILY DSIC SERIES
PRAT NO. DSIC07THGET
FILE NO. DSIC07THGET-A
SIZE: A4, UNIT: mm, SCALE: 2:1, SHEET: 1 OF 1, REV: A