

PRODUCT NO.	RoHS compliant
DSIC06THGET	

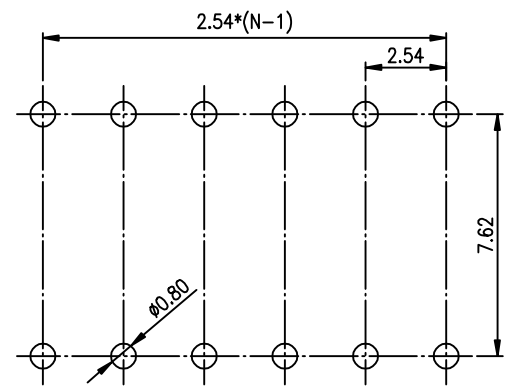
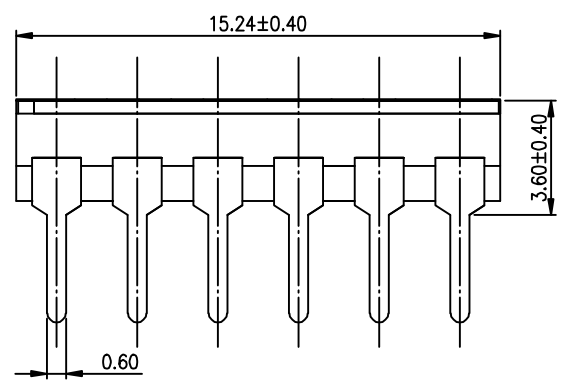
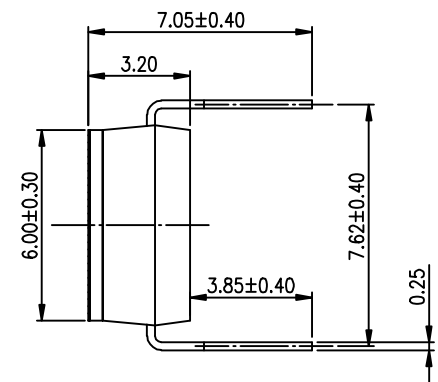
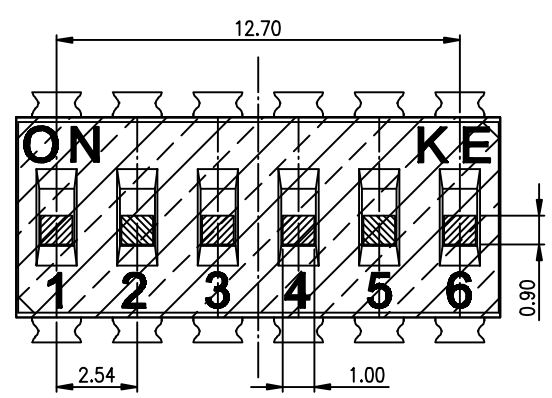
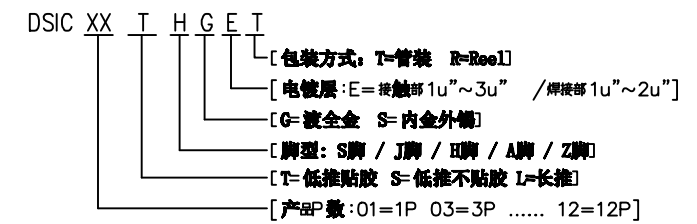
REV.	ECN NO.	DR	DATE

NOTES :

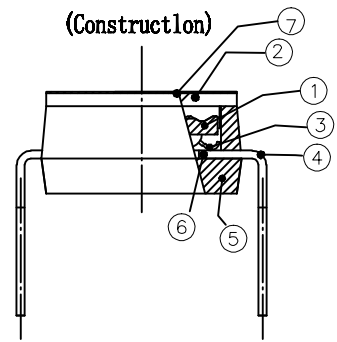
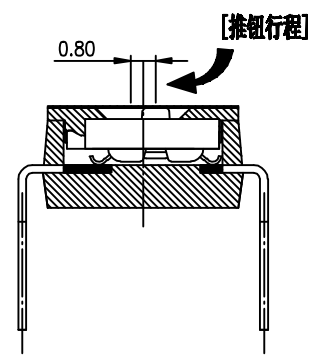
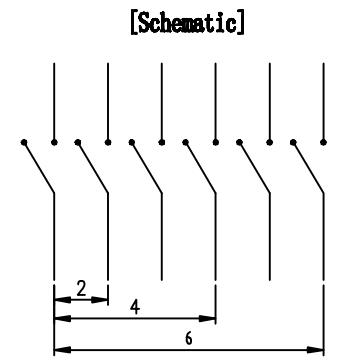
- 1.Specification:
 - 1>.Operating force:1000gf Max
 - 2>.Operating Temperature:-40° to+85°
 - 3>.Storage Temperature::-40° to+85°
 - 4>.Mechanical Life:3000cycles minimum
 - 5>.Electrical Life:2000cycles 25mA 24VDC

2. PLATING:
 - GOLD FLASH 1u"~2u"SOLDERTAIL,
 - 1u"~3u" GOLD PLATING ON THE CONTACT AREA,
 - WITH 50u" NICKEL UNDERPLATINGOVERALL.

3. PART NUMBER DESCRIPTION



RECOMMENDED P. C. B. LAYOUT (TOP VIEW)



Number	Part Name	Material	Finished	TOLERANCE UNLESS OTHERWISE SPECIFIED		INSPECTION COPY	DRAWING CHECK APPRO.	东莞市广普实业有限公司 DongGuan Kingtek Industrial Co., Ltd.
				LINER	ANGLES			
①	Actuator	UL94 V0	White	.0 ± 0.25	0. ± 2'	PROJECTION		TITLE
②	Cover	UL94 V0	Black	.00 ± 0.15	.0 ± 1'			
③	Movable	Copper Alloy	1u"~3u"Gold	.000± 0.10	.00± 0.5'	2012/04/12		BY DSIC SERIES PITCH 2.54mm
④	Terminal	Brass	1u"~2u"Gold					PRODUCT FAMILY DSIC SERIES
⑤	Base	UL94 V0	Black					PRAT NO. DSIC06THGET
⑥	Terminal Contact	Brass	1u"~3u"Gold					FILE NO. DSIC06THGET-A
⑦	Marly	UL94 V0	0.05mm					SIZE UNIT SCALE SHEET REV.
				A4 mm 2 : 1 1OF 1 A				