

PRODUCT NO.	RoHS compliant
DSIC02THGET	

REV.	ECN NO.	DR	DATE

NOTES :

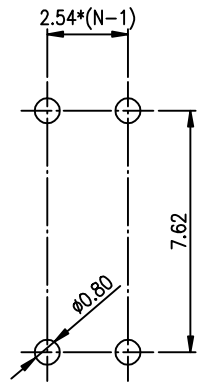
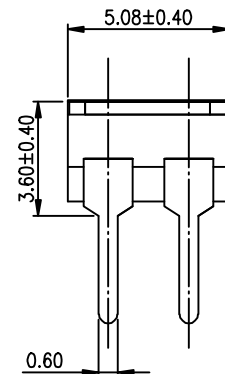
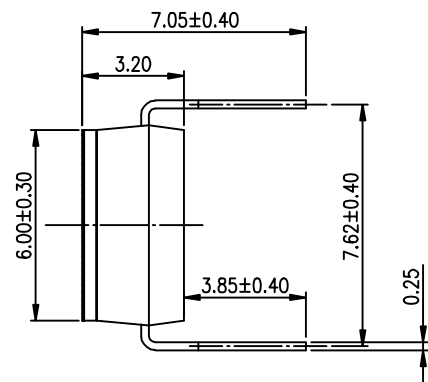
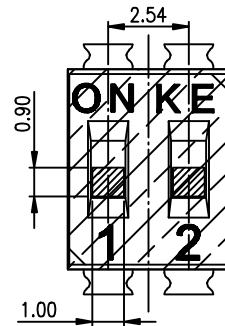
- 1.Specification:
  - 1>.Operating force:1000gf Max
  - 2>.Operating Temperature:-40° to+85°
  - 3>.Storage Temperature::-40° to+85°
  - 4>.Mechanical Life:3000cycles minimum
  - 5>.Electrical Life:2000cycles 25mA 24VDC

2. PLATING:
  - GOLD FLASH 1u"~2u" SOLDER TAIL,
  - 1u"~3u" GOLD PLATING ON THE CONTACT AREA,
  - WITH 50u" NICKEL UNDERPLATING OVERALL.

3. PART NUMBER DESCRIPTION

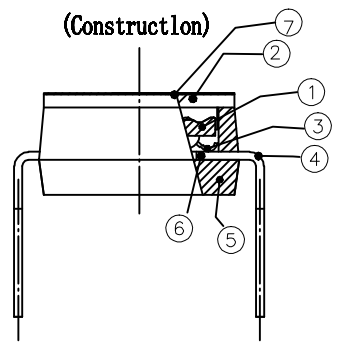
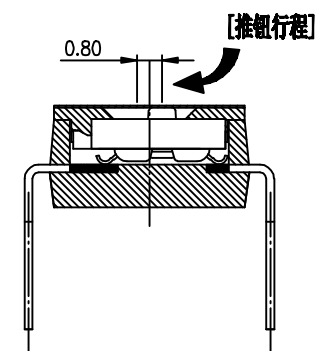
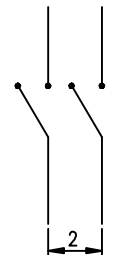
DSIC XX T H G E T

- [包装方式: T=管装 R=Reel]
- [电镀层: E=接触部 1u"~3u" / 焊尾部 1u"~2u"]
- [G=镀金 S=内金外镀]
- [脚型: S脚 / J脚 / B脚 / A脚 / Z脚]
- [T=低推贴胶 S=低推不贴胶 L=长推]
- [产品数: 01=1P 03=3P ..... 12=12P]



RECOMMENDED P.C.B. LAYOUT (TOP VIEW)

[Schematic]



Number	Part Name	Material	Finished	TOLERANCE UNLESS OTHERWISE SPECIFIED		INSPECTION COPY	东莞市广普实业有限公司 DongGuan Kingtek Industrial Co., Ltd.
				LINER	ANGLES		
①	Actuator	UL94 V0	White	.0 ± 0.25	0. ± 2'	PROJECTION	TITLE
②	Cover	UL94 V0	Black	.00 ± 0.15	.0 ± 1'		
③	Movable	Copper Alloy	1u"~3u"Gold	.000± 0.10	.00± 0.5'	2012/04/12	BY DSIC SERIES PITCH 2.54mm
④	Terminal	Brass	1u"~2u"Gold	DESIGN	kathy		PRODUCT FAMILY DSIC SERIES
⑤	Base	UL94 V0	Black	DRAWING		PRAT NO.	DSIC02THGET
⑥	Terminal Contact	Brass	1u"~3u"Gold	CHECK		FILE NO.	DSIC02THGET-A
⑦	Marly	UL94 V0	0.05mm	APPRO.		SIZE	A4
						UNIT	mm
						SCALE	2 : 1
						SHEET	1 OF 1
						REV.	A