

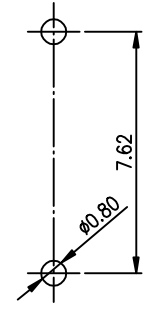
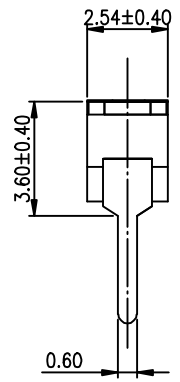
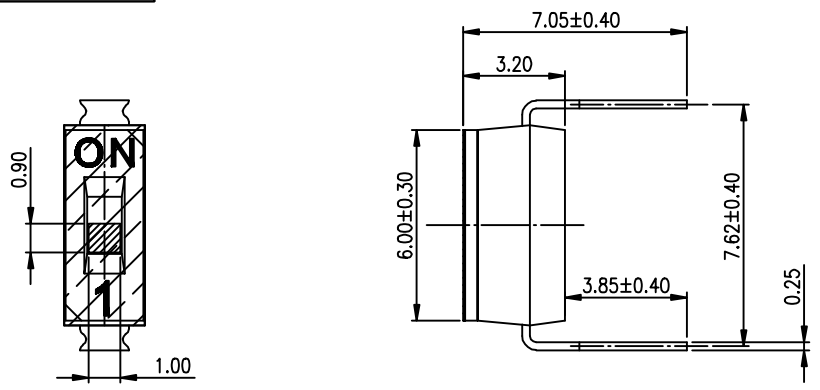
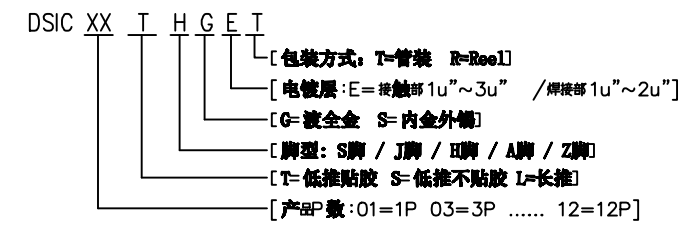
PRODUCT NO.	RoHS compliant
DSIC01THGET	

REV.	ECN NO.	DR	DATE

NOTES :

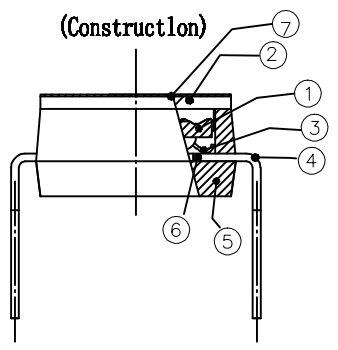
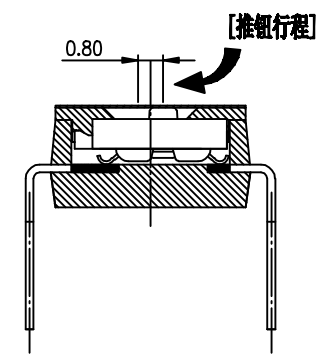
- Specification:
 - Operating force: 1000gf Max
 - Operating Temperature: -40° to +85°
 - Storage Temperature: -40° to +85°
 - Mechanical Life: 3000cycles minimum
 - Electrical Life: 2000cycles 25mA 24VDC
- PLATING:
 - GOLD FLASH 1u"~2u" SOLDER TAIL,
 - 1u"~3u" GOLD PLATING ON THE CONTACT AREA,
 - WITH 50u" NICKEL UNDERPLATING OVERALL.

3. PART NUMBER DESCRIPTION



RECOMMENDED P.C.B. LAYOUT (TOP VIEW)

[Schematic]



Number	Part Name	Material	Finished	TOLERANCE UNLESS OTHERWISE SPECIFIED		INSPECTION COPY	东莞市广普实业有限公司 DongGuan Kingtek Industrial Co., Ltd.
				LINER	ANGLES		
①	Actuator	UL94 V0	White	.0 ± 0.25	0. ± 2'	PROJECTION	TITLE
②	Cover	UL94 V0	Black	.00 ± 0.15	.0 ± 1'		BY DSIC SERIES PITCH 2.54mm
③	Movable	Copper Alloy	1u"~3u"Gold	.000± 0.10	.00± 0.5'	2012/04/12	PRODUCT FAMILY DSIC SERIES
④	Terminal	Brass	1u"~2u"Gold	DESIGN	kathy		PRAT NO.
⑤	Base	UL94 V0	Black	DRAWING			DSIC01THGET
⑥	Terminal Contact	Brass	1u"~3u"Gold	CHECK			FILE NO. DSIC01THGET-A
⑦	Marly	UL94 V0	0.05mm	APPRO.			SIZE UNIT SCALE SHEET REV.
							A4 mm 2 : 1 1 OF 1 A