

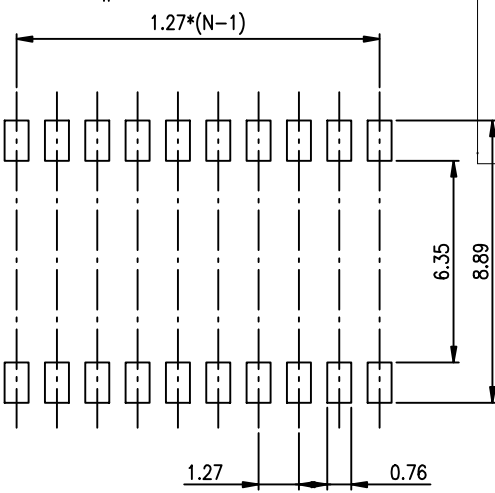
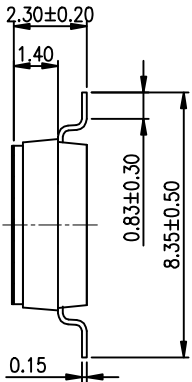
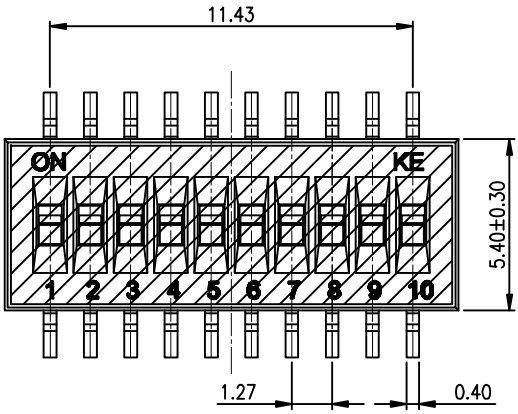
PRODUCT NO.	1 2 3 4 5 6
DSHP10TSGER	RoHS compliant

REV.	ECN NO.	DR	DATE

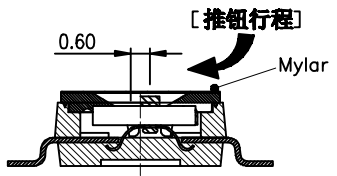
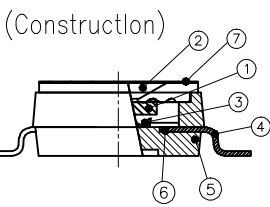
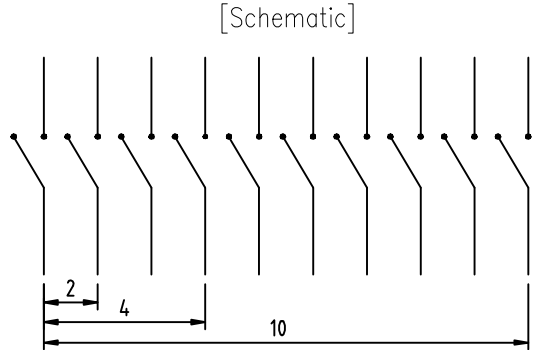
NOTES :1.Specification:
 1>.Operating force:1000gf Max
 2>.Operating Temperature: -40° to+85°
 3>.Storage Temperature: -40° to+85°
 4>.Electrical life Life:2000cycles 25mA 24VDC
 5>.Mechanical Life:3000cycles Operations

2. PLATING:
 GOLD FLASH 1u"~2u" Gold SOLDERTAIL,
 1u"~3u" Gold GOLD PLATING ON THE CONTACT AREA,
 WITH 50u" NICKEL UNDERPLATINGOVERALL.

3. PART NUMBER DESCRIPTION :
 DSHP XX T S G E R
 [包装方式: T=管装 R=Reel]
 [电镀层: E=接触部 1u"~3u" 焊脚部 1u"~2u" Gold]
 [G= 镀全金 S= 内镀金(接触部)外镀锡(焊脚部)]
 [脚型: S脚 / J脚 / H脚 / A脚 / Z脚]
 [T= 低推贴胶 S= 低推不贴胶 L=长推]
 [产P数 :02=2P 04=4P.....08=8P 10=10P 12=12P]



RECOMMENDED P.C.B. LAYOUT (TOP VIEW)



Number	Part Name	Material	Finished
①	Actuator	UL94 V0	White
②	Cover	UL94 V0	Black
③	Movable	Beryllium Copper	1u"~3u" Gold
④	Terminal	Brass	1u"~2u" Gold
⑤	Base	UL94 V0	Black
⑥	Terminal Contact	Brass	1u"~3u" Gold
⑦	Mylar	UL94 V0	0.05mm

TOLERANCE UNLESS OTHERWISE SPECIFIED		INSPECTION COPY
LINER	ANGLES	
.0 ± 0.25	0. ± 2'	PROJECTION
.00 ± 0.15	.0 ± 1'	
.000± 0.10	.00± 0.5'	03/20/12'
DRAWING		
CHECK		
APPRO.		

KE 东莞市广誉实业有限公司
 DongGuan Kingtek Industrial Co., Ltd.

TITLE
 BY DSHP SERIES PITCH 1.27mm

PRODUCT FAMILY DSHP SERIES

PRAT NO. DSHP10TSGER

FILE NO. DSHP10TSGER-A

SIZE	UNIT	SCALE	SHEET	REV.
A4	mm	2 : 1	1 OF 1	A