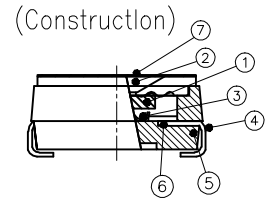
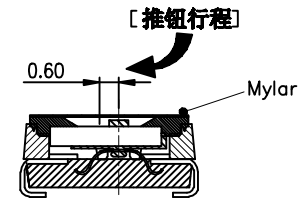
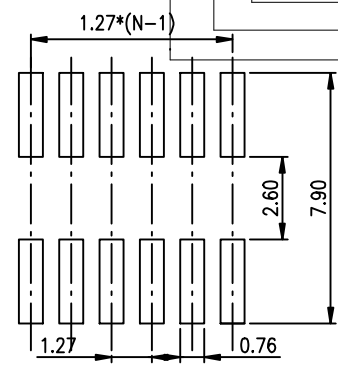
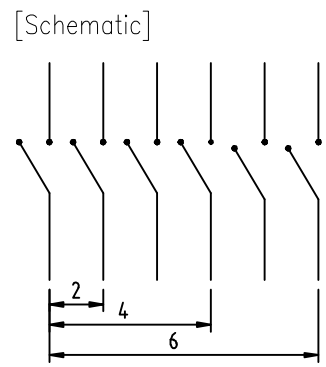
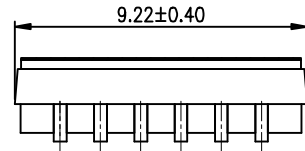
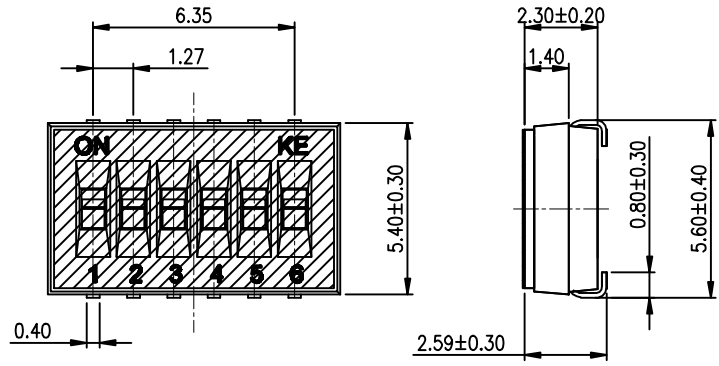


NOTES :1.Specification:
 1>.Operating force:1000gf Max
 2>.Operating Temperature:-40° to+85°
 3>.Storage Temperature: -40° to+85°
 4>.Electrical life Life:2000cycles 25mA 24VDC
 5>.Mechanical Life:3000cycles Operations

2. PLATING:
 GOLD FLASH 1u"~2u" SOLDER TAIL,
 1u"~3u" GOLD PLATING ON THE CONTACT AREA,
 WITH 50u" NICKEL UNDERPLATING OVERALL.

3. PART NUMBER DESCRIPTION :
 DSHP XX T J G E R
 [包装方式: T=管装 R=Reel]
 [电镀层: E=接触部 1u"~3u" 焊脚部 1u"~2u"]
 [G=镀全金 S=内镀金(接触部)外镀锡(焊脚部)]
 [脚型: S脚 / J脚 / H脚 / A脚 / Z脚]
 [T=低推贴胶 S=低推不贴胶 L=长推]
 [产品数: 02=2P 04=4P 08=8P 10=10P]



Number	Part Name	Material	Finished
①	Actuator	UL94 V0	White
②	Cover	UL94 V0	Black
③	Movable	Beryllium Copper	1u"~3u" Gold
④	Terminal	Brass	1u"~2u" Gold
⑤	Base	UL94 V0	Black
⑥	Terminal Contact	Brass	1u"~3u" Gold
⑦	Mylar	UL94 V0	0.05mm

TOLERANCE UNLESS OTHERWISE SPECIFIED	LINEAR	ANGLES	INSPECTION COPY	东莞市广督实业有限公司 DongGuan Kingtek Industrial Co., Ltd.
	.0 ± 0.25	0. ± 2'		
DESIGN	.00 ± 0.15	.0 ± 1'	PROJECTION	TITLE
	.000± 0.10	.00± 0.5'		BY DSHP SERIES PITCH 1.27mm
DRAWING	kathy		03/20/12'	PRODUCT FAMILY DSHP SERIES
CHECK				PRAT NO. DSHP06TJGER
APPRO.				FILE NO. DSHP06TJGER-A
				SIZE UNIT SCALE SHEET REV.
				A4 mm 2 : 1 1 OF 1 A