

PRODUCT NO.	RoHS compliant
DSHP04TJGER	

REV.	ECN NO.	DR	DATE

NOTES :1.Specification:

- 1>.Operating force:1000gf Max
- 2>.Operating Temperature:-40° to+85°
- 3>.Storage Temperature: -40° to+85°
- 4>.Electrical life Life:2000cycles 25mA 24VDC
- 5>.Mechanical Life:3000cycles Operations

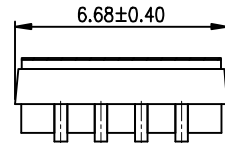
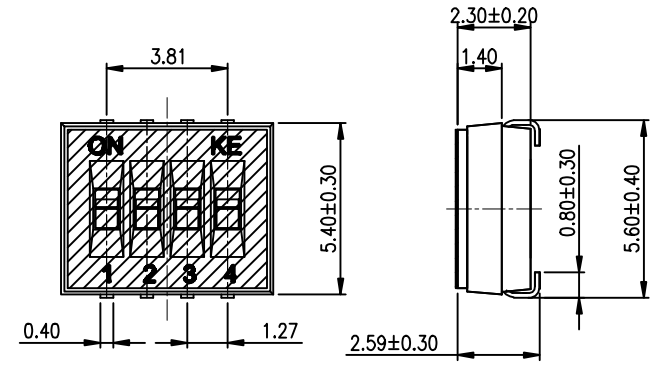
2. PLATING:

GOLD FLASH 1u"~2u" SOLDERTAIL,
1u"~3u"GOLD PLATING ON THE CONTACT AREA,
WITH 50u" NICKEL UNDERPLATINGOVERALL.

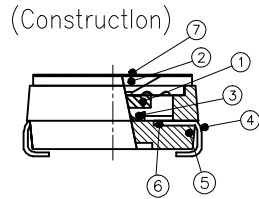
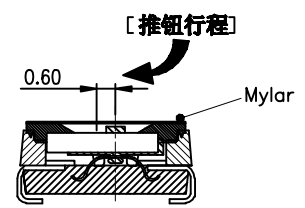
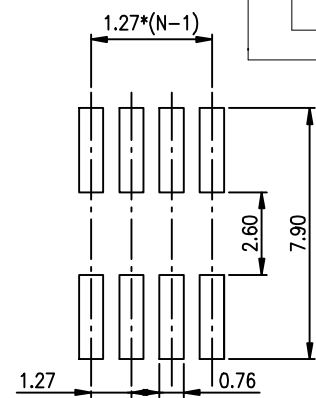
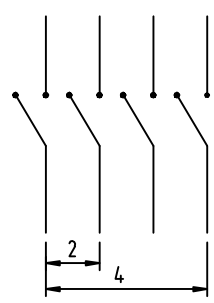
3. PART NUMBER DESCRIPTION :

DSHP XX T J G E R

- [包装方式: T=管装 R=Reel]
- [电镀层: E=接触部1u"~3u" 焊脚部1u"~2u"]
- [G= 镀全金 S= 内镀金(接触部)外镀锡(焊脚部)]
- [脚型: S脚 / J脚 / H脚 / A脚 / Z脚]
- [T= 低推贴胶 S= 低推不贴胶 L=长推]
- [产品数: 02=2P 04=4P 08=8P 10=10P]



[Schematic]



RECOMMENDED P.C.B. LAYOUT (TOP VIEW)

Number	Part Name	Material	Finished
①	Actuator	UL94 V0	White
②	Cover	UL94 V0	Black
③	Movable	Beryllium Copper	1u"~3u" Gold
④	Terminal	Brass	1u"~2u" Gold
⑤	Base	UL94 V0	Black
⑥	Terminal Contact	Brass	1u"~3u" Gold
⑦	Mylar	UL94 V0	0.05mm

TOLERANCE UNLESS OTHERWISE SPECIFIED	INSPECTION COPY
LINER	PROJECTION
ANGLES	
DESIGN	
DRAWING	
CHECK	
APPRO.	

TITLE BY DSHP SERIES PITCH 1.27mm			
PRODUCT FAMILY DSHP SERIES			
PRAT NO. DSHP04TJGER			
FILE NO. DSHP04TJGER-A			
SIZE	UNIT	SCALE	SHEET
A4	mm	2 : 1	1 OF 1
			REV. A