

PRODUCT NO.	RoHS compliant
DSDP10LHGETR	

REV.	ECN NO.	DR	DATE

**Note:**

- All dimensions are in millimeters.
- General tolerance:  $\pm 0.2\text{mm}$ .
- Material:

Base:UL94V-0 PBT Thermoplastic(Black).  
 Cover:UL94V-0 PBT Thermoplastic(Black/Red/Blue).  
 Actuators:UL94V-0 PBT Thermoplastic(White).  
 Contact plating:Gold plating over nickel.  
 Pitting material:Epoxy.

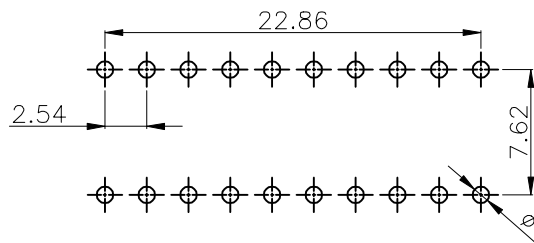
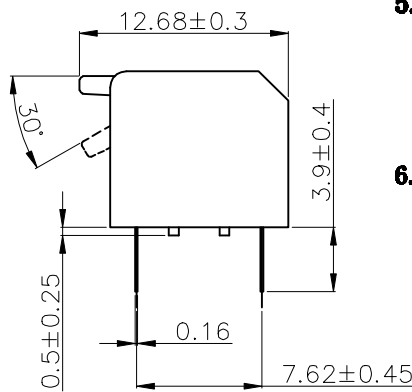
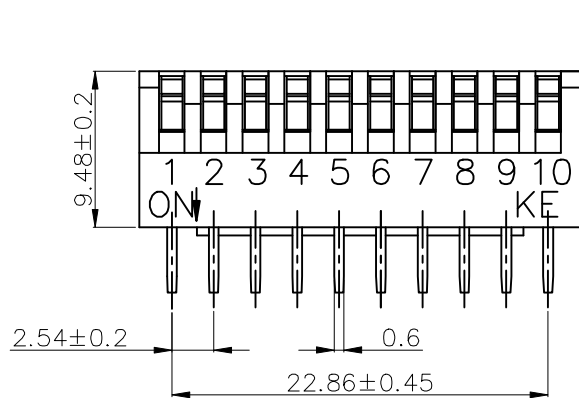
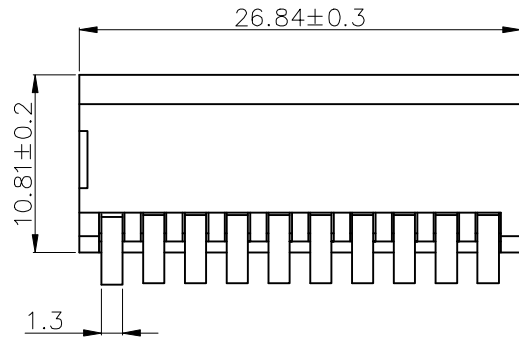
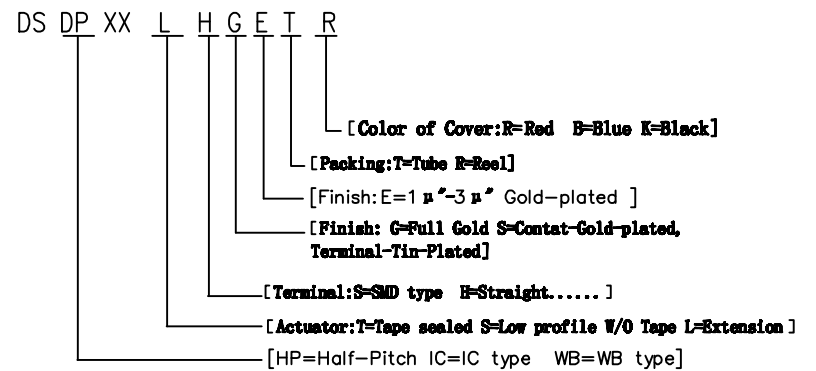
**4. Electrical**

Electrical:2000 Operations per switch 24/VDC, 25mA.  
 Non-Switching Rating:100mA, 50/VDC.  
 Switching Rating:25mA, 24/VDC  
 Contact Resistance:100 m $\Omega$  Max.at initial.

**5. Mechanical**

Mechanical life:2000 Operations per switch.  
 Stroke:30° .  
 Operation Temp:-20°C to 70°C.  
 Storage Temp:-40°C to 85°C.

**6. PART NUMBER DESCRIPTION:**



**P.C.B LAYOUT**

**注意:**

- 波峰焊: 推荐焊锡温度在 $270\text{C} \pm 5\text{C}$ , 浸锡时间为5~6秒钟.
- 手工焊: 使用30瓦烙铁控制温度在 $320\text{C}$ , 焊接时间大约2~3秒钟.
- 拨柄位置: 产品焊接时, 请将产品的拨柄置于OFF端, 能给予产品更好的接触性能.
- 清洗过程: 清洗使用超音波方式, 能给予更好的效果.

TOLERANCE UNLESS OTHERWISE SPECIFIED		INSPECTION COPY	东莞市广督实业有限公司 DongGuan Kingtek Industrial Co., Ltd.
LINER	ANGLES		
.0 $\pm$ 0.40	0. $\pm$ 1'	PROJECTION	TITLE
.00 $\pm$ 0.30	.0 $\pm$ 0.5'		BY DSDP SERIES PITCH 2.54mm
.000 $\pm$ 0.20	.00 $\pm$		PRODUCT FAMILY DSDP SERIES
DESIGN	LU ER XIN	2013/01/08	PRAT NO. DSDP10LHGETR
DRAWING			FILE NO. DSDP10LHGETR-A
CHECK			SIZE UNIT SCALE SHEET REV.
APPD.			A4 mm FIT 1 OF 1 A