

PRODUCT NO.	RoHS compliant
DSDP10LHGETB	

REV.	ECN NO.	DR	DATE

Note:

- All dimensions are in millimeters.
- General tolerance: $\pm 0.2\text{mm}$.
- Material:

Base:UL94V-0 PBT Thermoplastic(Black).
 Cover:UL94V-0 PBT Thermoplastic(Black/Red/Blue).
 Actuators:UL94V-0 PBT Thermoplastic(White).
 Contact plating:Gold plating over nickel.
 Pitting material:Epoxy.

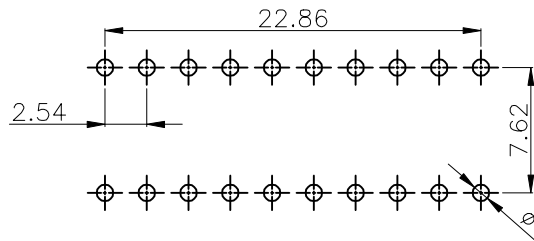
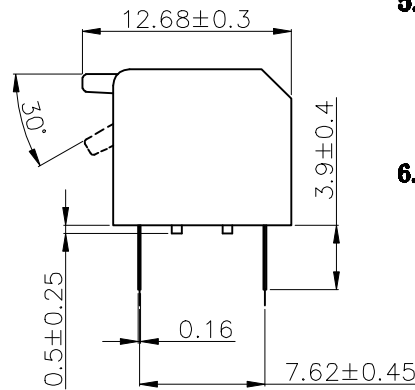
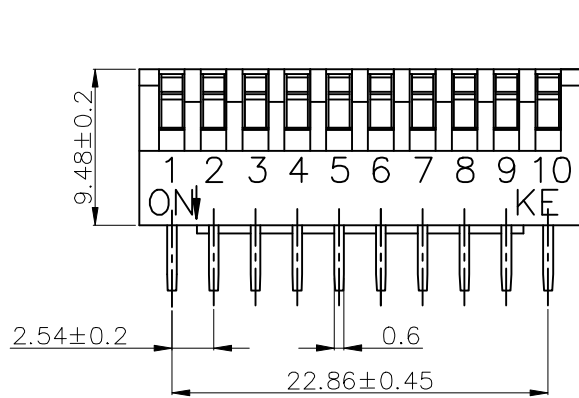
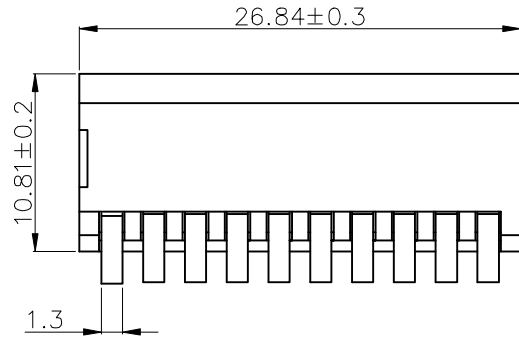
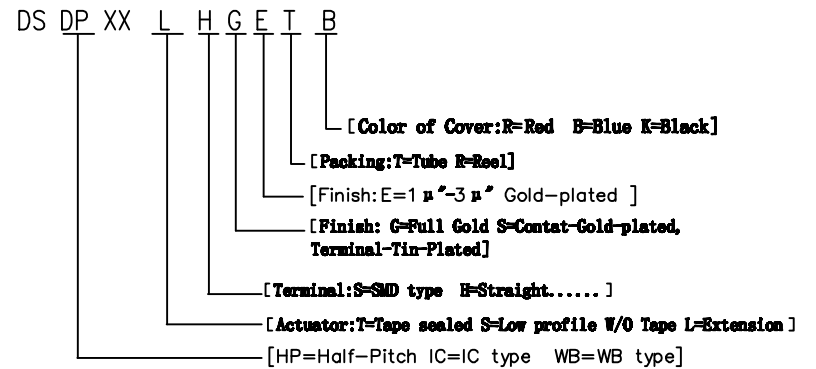
4. Electrical

Electrical:2000 Operations per switch 24/VDC, 25mA.
 Non-Switching Rating:100mA, 50/VDC.
 Switching Rating:25mA, 24/VDC
 Contact Resistance:100 m Ω Max.at initial.

5. Mechanical

Mechanical life:2000 Operations per switch.
 Stroke:30° .
 Operation Temp:-20°C to 70°C.
 Storage Temp:-40°C to 85°C.

6. PART NUMBER DESCRIPTION:



P.C.B LAYOUT

注意:

- 波峰焊: 推荐焊锡温度在270°C \pm 5°C, 浸锡时间为5~6秒钟.
- 手工焊: 使用30瓦烙铁控制温度在320°C, 焊接时间大约2~3秒钟.
- 拨柄位置: 产品焊接时, 请将产品的拨柄置于OFF端, 能给予产品更好的接触性能.
- 清洗过程: 清洗使用超音波方式, 能给予更好的效果.

TOLERANCE UNLESS OTHERWISE SPECIFIED		INSPECTION COPY	
LINER	ANGLES		
.0 \pm 0.40	0. \pm 1'	PROJECTION	TITLE
.00 \pm 0.30	.0 \pm 0.5'		BY DSDP SERIES PITCH 2.54mm
.000 \pm 0.20	.00 \pm		PRODUCT FAMILY DSDP SERIES
DESIGN	LU ER XIN	2013/07/08	PART NO. DSDP10LHGETB
DRAWING			FILE NO. DSDP10LHGETB-A
CHECK			SIZE UNIT SCALE SHEET REV.
APPD.			A4 mm FIT 1 OF 1 A