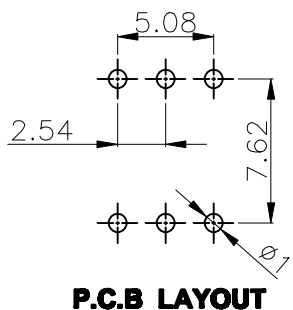
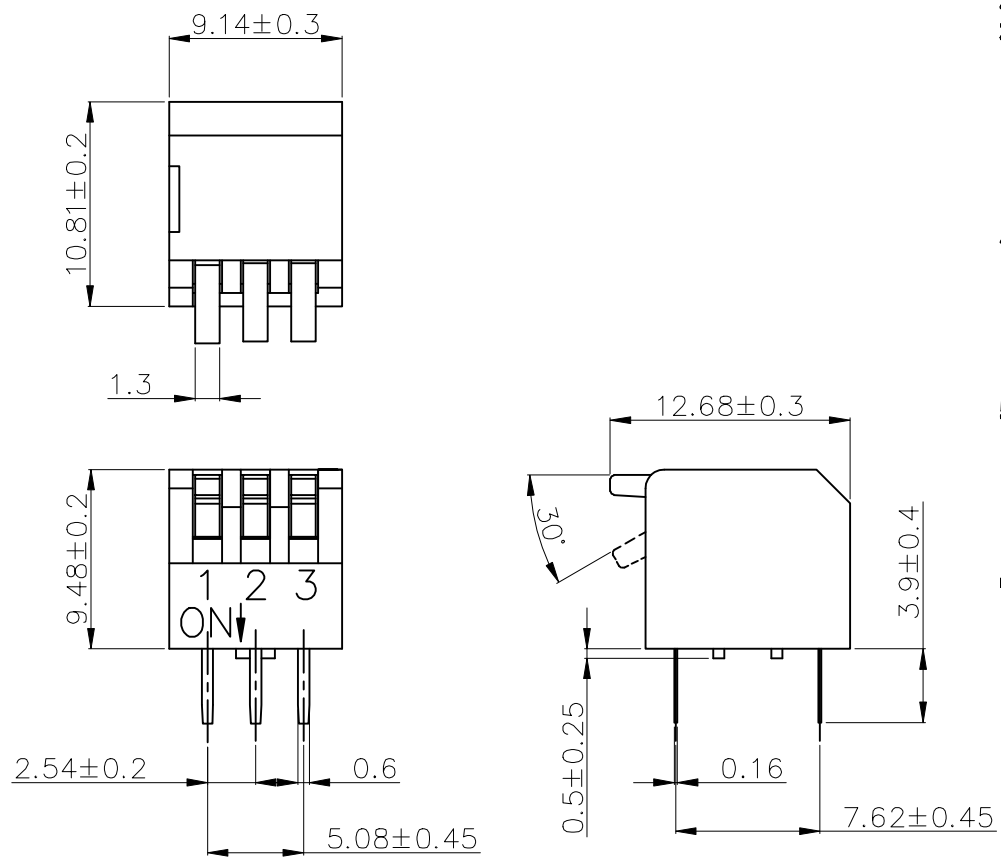


PRODUCT NO.	RoHS compliant
DSDP03LHGETB	

REV.	ECN NO.	DR	DATE

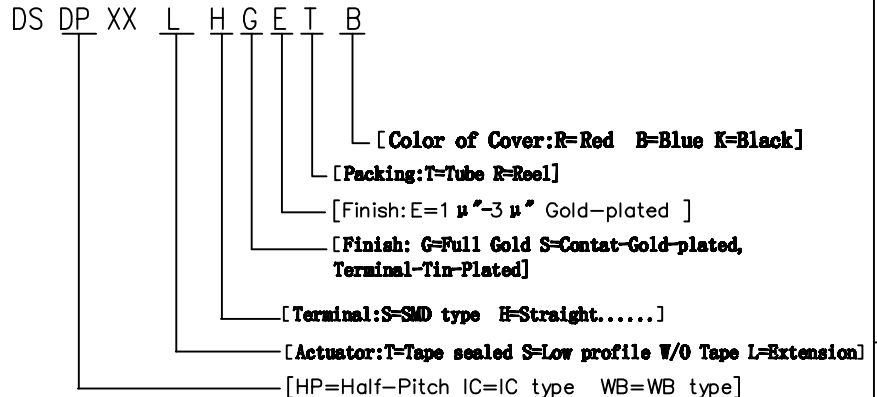


P.C.B LAYOUT

Note:

- All dimensions are in millimeters.
- General tolerance: ±0.2mm.
- Material:
 - Base:UL94V-0 PBT Thermoplastic(Black).
 - Cover:UL94V-0 PBT Thermoplastic(Black/Red/Blue).
 - Actuators:UL94V-0 PBT Thermoplastic(White).
 - Contact plating:Gold plating over nickel.
 - Pitting material:Epoxy.
- Electrical
 - Electrical:2000 Operations per switch 24/VDC, 25mA.
 - Non-Switching Rating:100mA, 50/VDC.
 - Switching Rating:25mA, 24/VDC
 - Contact Resistance:100 mΩ Max.at initial.
- Mechanical
 - Mechanical life:2000 Operations per switch.
 - Stroke:30° .
 - Operation Temp:-20℃ to 70℃.
 - Storage Temp:-40℃ to 85℃.

6. PART NUMBER DESCRIPTION:



注意:

- 波峰焊: 推荐焊锡温度在270℃±5℃, 浸锡时间为5~6秒钟。
- 手工焊: 使用30瓦烙铁控制温度在320℃, 焊接时间大约2~3秒钟。
- 拨柄位置: 产品焊接时, 请将产品的拨柄置于OFF端, 能给予产品更好的接触性能。
- 清洗过程: 清洗使用超声波方式, 能给予更好的效果。

TOLERANCE UNLESS OTHERWISE SPECIFIED		INSPECTION COPY	东莞市广普实业有限公司 DongGuan Kingtek Industrial Co., Ltd.
LINER	ANGLES		
.0 ± 0.40	0. ± 1'	PROJECTION	TITLE
.00 ± 0.30	.0 ± 0.5'		BY DSDP SERIES PITCH 2.54mm
.000± 0.20	.00±		PRODUCT FAMILY DSDP SERIES
DESIGN LU ER XIN	2013/01/08		PRAT NO. DSDP03LHGETB
DRAWING			FILE NO. DSDP03LHGETB-A
CHECK			SIZE UNIT SCALE SHEET REV.
APPD.			A4 mm FIT 1 OF 1 A