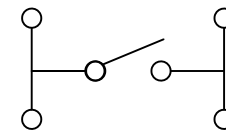
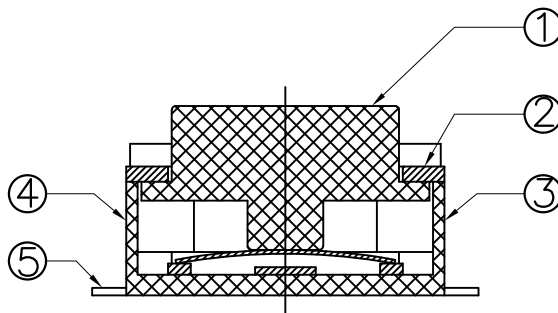
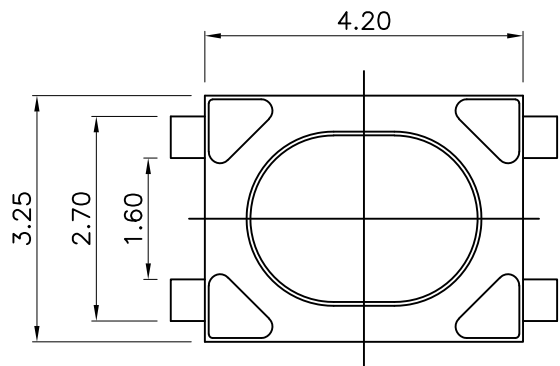
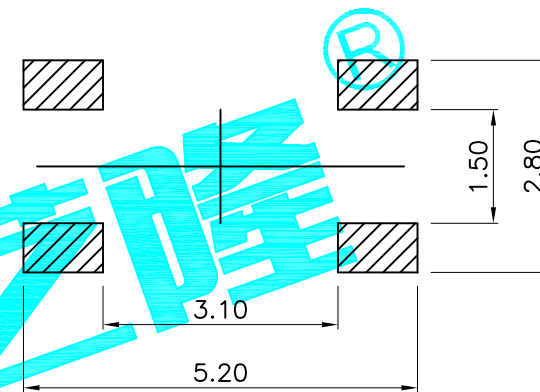


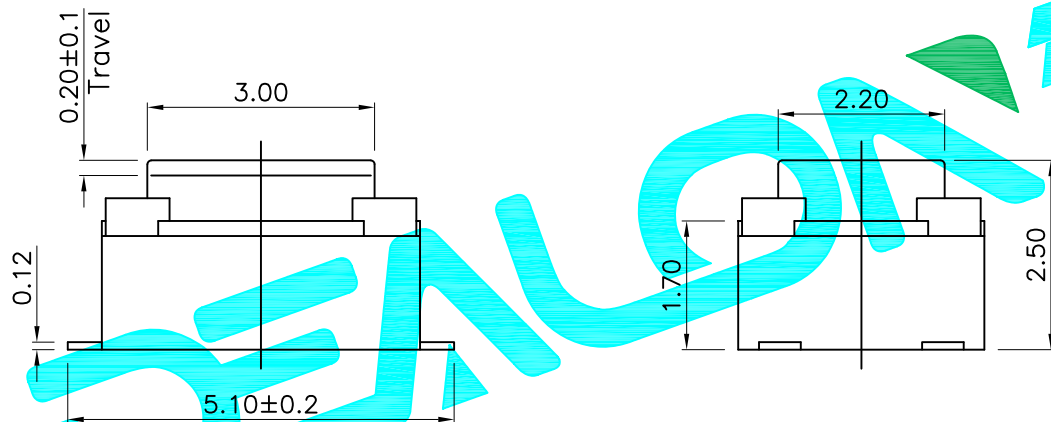
CAD FILE:



Circuit diagram



PCB Layout(Pattern Side)



NO.1	
PART NO	VIGOR
090	90±30
160	160±30
250	250±30

ITEM	PART NAME	QTY.	MATERIAL	FINISHING
⑤	Terminal	4	Phosphor Bronze	Plating silver
④	Contact	1	F.Ag/SUS	Plating silver
③	Base	1	LCP	White
②	Cover	1	SUS	Natural
①	Keystoke	1	LCP	White

APPROVALS		DATE
DRAWN	G.M.Chen	2015/5/19

DEALON 德之隆®
ELECTRONICS CO.,LTD

CHECKED		TITLE:	TACT SWITCHES		
APPROVALS		PART NO.	TD-1221SR-2.5H-XXX		
TOLERANCES ARE	30~以上	±0.30	ANGLE	UNIT: mm	SCALE: 1:1
	10~30	±0.20		SHEET 1 OF 1	
	5~10	±0.15	±2'	DRAWING NO.	
	~ 5	±0.10		PROJ:	

ECN NO.	REV.	DATE.	DESCRIPTION.	CHANGE.	CHECK.	APPRO.
	A		NEW			