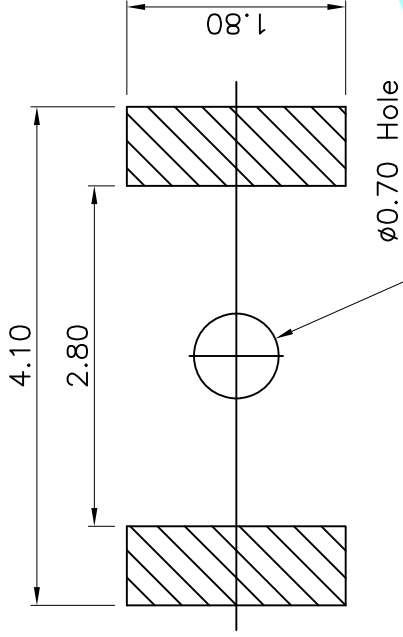
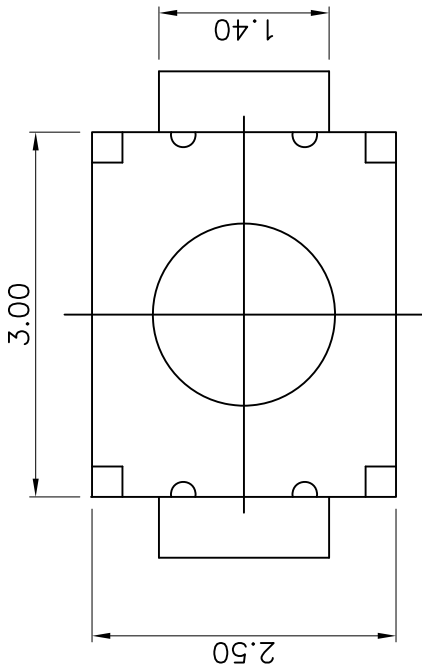


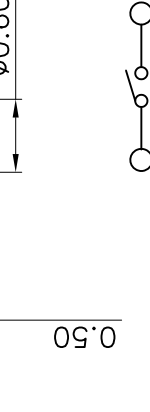
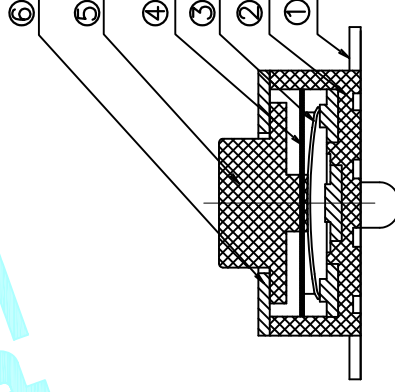
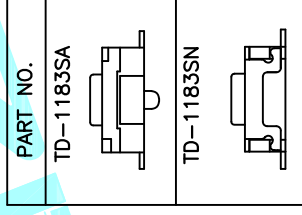
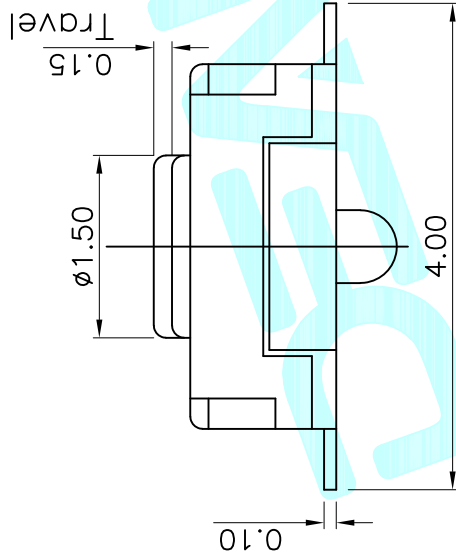
CAD FILE:



PCB Layout

NO.1	
PART NO	H
A	1.5
B	1.7

NO.2	
PART NO	vigor
070	70±30
100	100±50
160	160±50
250	250±50
320	320±80
350	350±80
520	520±130



Circuit Diagram

⑥	Cover	1	SUS	Natural
⑤	Knob	1	LCP	Black
④	Dust Cover	1	Kapton Film	Yellow
③	Contact	1	SUS	Plating silver
②	Base	1	LCP	White
①	Terminal	2	Phosphor Bronze	Plating silver
ITEM	PART NAME	QTY.	MATERIAL	FINISHING

APPROVALS		DATE	FINISHING	
DRAWN	G.M.Chen	2015/5/19		
CHECKED				
APPROVALS				
TOLERANCES ARE		30~90L ±0.30	ANGLE	
		10~30 ±0.20		
		5~10 ±0.15		
		~5 ±0.10		

DEALON 德隆		ELECTRONICS CO.,LTD	
TITLE:		TACT SWITCHES	
PART NO.	TD-1183S□-XXH-XXX	PART NO.	TD-1183S□-XXH-XXX
UNIT:	mm	SCALE:	1:1
DRAWING NO.		SHEET	1 OF 1
PROJ.		PROJ.	

ECN NO.	REV.	DATE.	DESCRIPTION.
	A		NEW

CHANGE. CHECK. APPRO.