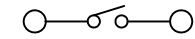
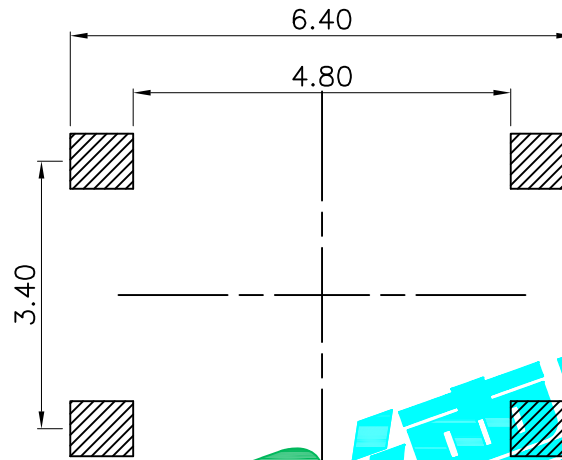
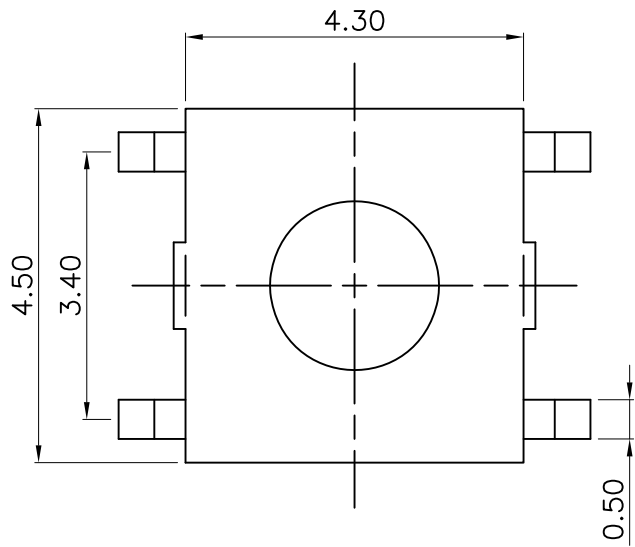


CAD FILE:



Circuit Diagram

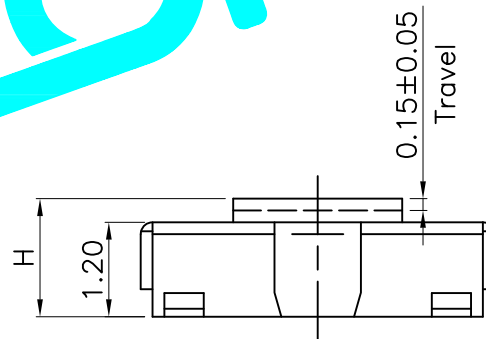
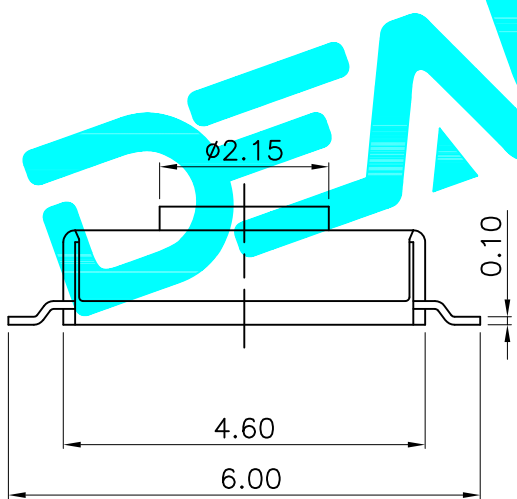
NO.1

PART NO	H
A	1.5
B	1.6
C	1.7
D	2.0
D	2.5

NO.2

PART NO	vigor
070	70±30
100	100±50
160	160±50
250	260±50
320	320±80
350	350±80
520	520±130

PCB Layout



⑤	Terminal	4	Phosphor Bronze	Plating silver
④	Contact	1	F.Ag/C5210	—
③	Base	1	PA46	White
②	Cover	1	SPCC	Plating Sn
①	Keystoke	1	PA46	White
ITEM	PART NAME	QTY.	MATERIAL	FINISHING

APPROVALS		DATE	DERION® ELECTRONICS CO.,LTD		
DRAWN	G.M Chen	2012/1/17	TITLE:	TACT SWITCHS	
CHECKED			PART NO.	TD-1127SN-XXX-XXX	
APPROVALS			UNIT: mm	SCALE: 1:1	PROJ:
TOLERANCES ARE		30~以上 ±0.30	ANGLE	DRAWING NO.	SHEET 1 OF 1
		10~30 ±0.20			
		5~10 ±0.15			
		~ 5 ±0.10			

ECN NO.	REV.	DATE.	DESCRIPTION.	CHANGE.	CHECK.	APPRO.
	A		NEW			