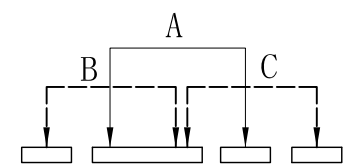
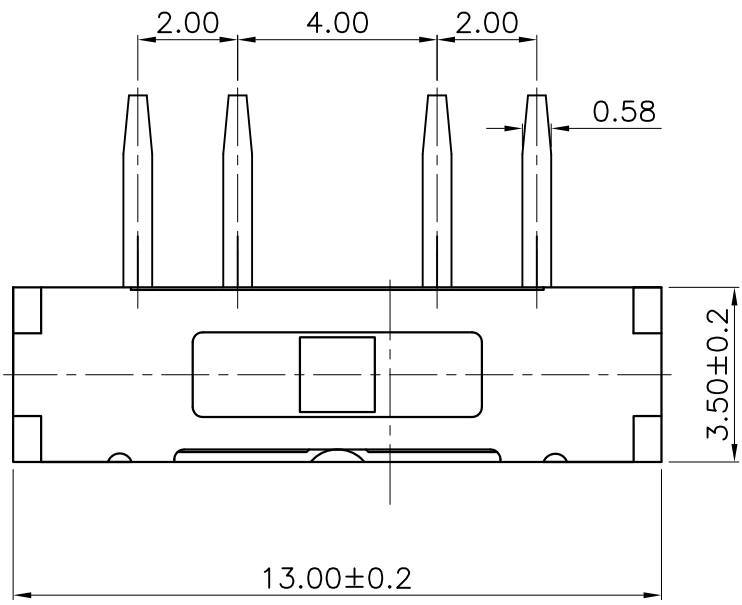
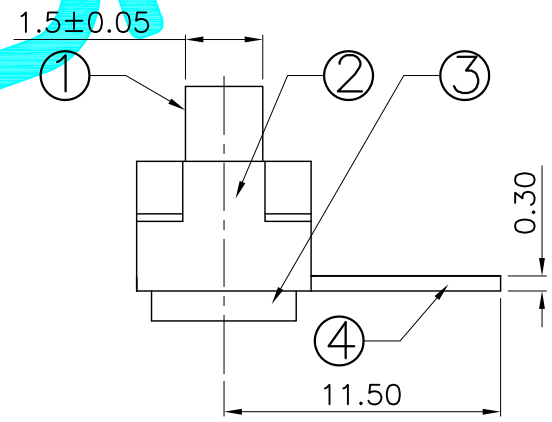
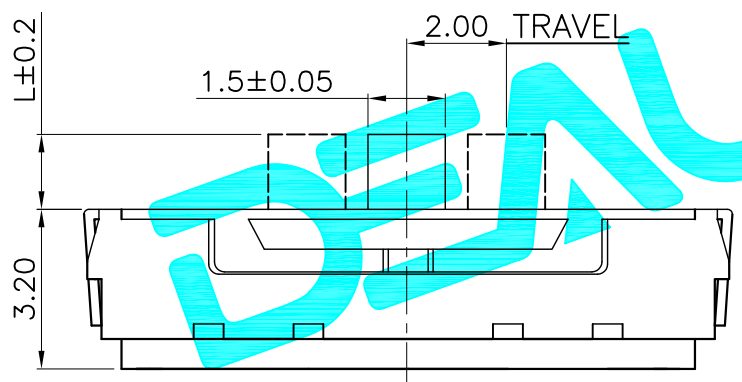


CAD FILE:



Circuit Diagram [®]



PART NO.	L	Operating force
MS-13D20-G2	2	250±100gf
MS-13D20-G3	3	
MS-13D20-G4	4	

ITEM	PART NAME	QTY.	MATERIAL	FINISHING
⑤	Contact Spring	2	Beryllium copper	Ag Plated
④	Terminal	8	Brass Strip	Ag Plated
③	Base	1	NYLON	Black
②	Cover	1	SUS	Natural
①	KNOB	1	NYLON	White

APPROVALS		DATE
DRAWN	G.M.Chen	2014/8/18
CHECKED		
APPROVALS		

DEALON 德之隆[®]
ELECTRONICS CO.,LTD

TITLE: SLIDE SWITCHES

PART NO. MS-13D20-G

UNIT: mm SCALE: 1:1 SHEET 1 OF 1

DRAWING NO. PROJ:

ECN NO.	REV.	DATE.	DESCRIPTION.	CHANGE.	CHECK.	APPRO.
	A		NEW			

TOLERANCES ARE	ANGLE
30~PL: ±0.30	±2'
10~30 ±0.20	
5~10 ±0.15	
~ 5 ±0.10	