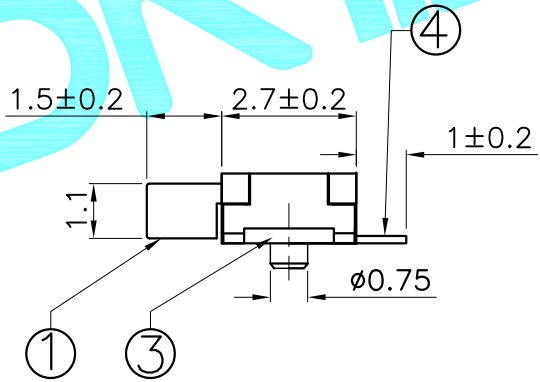
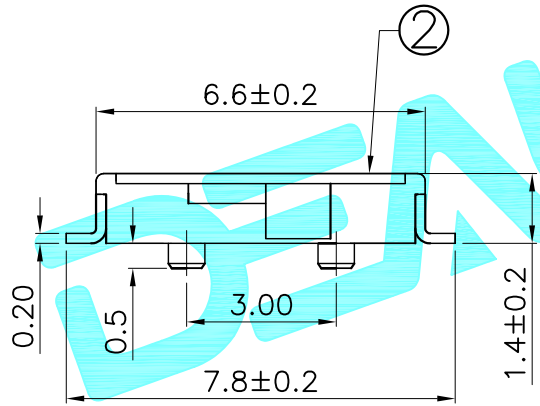


PCB Layout (Pattern side)



Note:
 1. Rating: 4V 300mA
 2. Operating Force: 160±50g

⑤	Contact Spring	1	Beryllium copper	Ag Plated
④	Terminal	3	Brass Strip	Ag Plated
③	Base	1	NYLON	Black
②	Cover	1	SUS	Natural
①	KNOB	1	NYLON	White
ITEM	PART NAME	QTY.	MATERIAL	FINISHING

APPROVALS		DATE
DRAWN	G.M.Chen	2014/8/18
CHECKED		
APPROVALS		

DEALON 德之隆®
 ELECTRONICS CO.,LTD

ECN NO.	REV.	DATE.	DESCRIPTION.	CHANGE.	CHECK.	APPRO.	TOLERANCES ARE	ANGLE	UNIT: mm	SCALE: 1:1	SHEET 1 OF 1
	A		NEW				30~PL: ±0.30 10~30 ±0.20 5~10 ±0.15 ~ 5 ±0.10	±2'			
							DRAWING NO.		PROJECT:		