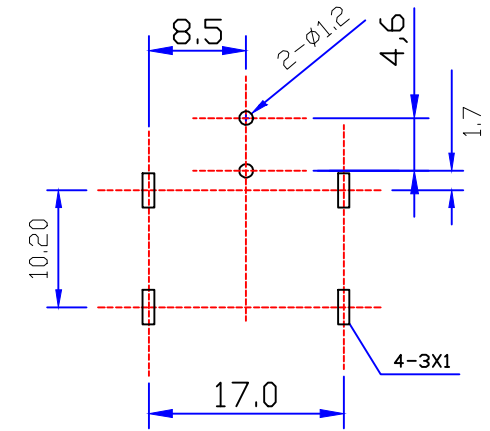
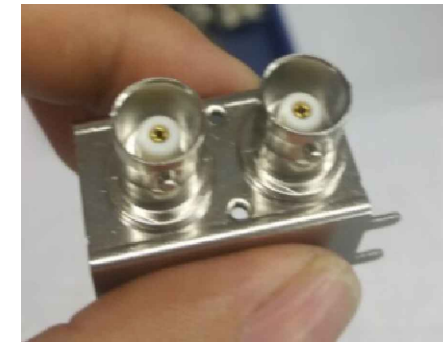
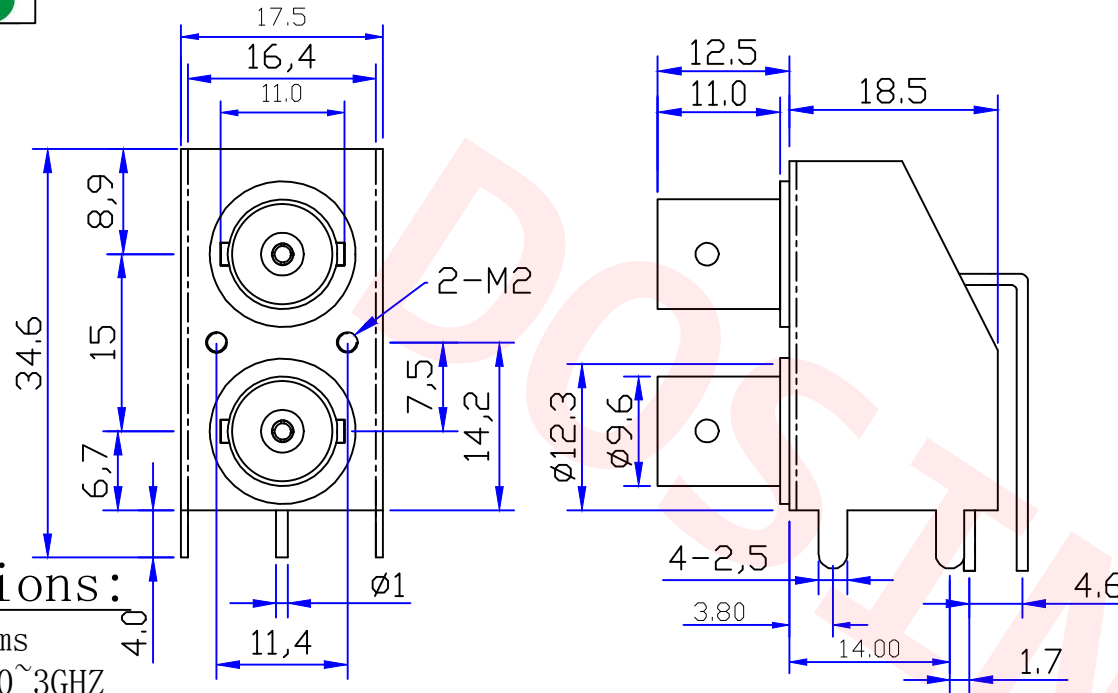




Product NO.		DOSIN-801-0285-D		
REV	DESCRIPTION	DWN	DATE	APPROVEN
A	First issue	Mr. Wang	2015/07/24	John kine
B	三瓣冲针更改为四瓣冲针	Mr. chen	2017/08/25	John kine



**Specifications:**

- IMPEDANCE: 50 Ohms
- Frequency range: 0~3GHZ
- VSWR: 1.3MAX
- Working voltage: 500V rms @ sea level
- Insulation resistance: 5000 Ohms min
- Temperature range: -40°C TO +110°C
- Relative temperature: ≤95% (40° C ± 2° C)

NOTE:

Tolerance

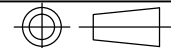
- 0-6 ±0.15
- 6-30 ±0.20
- 30-120 ±0.50
- Angular ±5°



**Dosin Industrial (H K) Co. Ltd**  
 东莞市德索五金电子制品有限公司  
**Dosin Hardware Electronics Co., Ltd**

E-mail: dosin2005@163.com  
 dosin2005@dosin-china.com  
 Web: http://www.dosinconn.com  
 TEL: (0086) 769-81153906  
 FAX: (0086) 769-81875836

View



Name: BNC 2X1 CONNECTOR

UNIT

MM

SIZE A Product NO. DOSIN-801-0285-D REV B

SCALE

1:1

DateTime 2017/08/25 CAD FILE H/company drawings/BD SHEET: 1 OF 1

1	Body	Zinc	Nickel	2
2	Insulator	POM	White	2
3	Center contact	Brass	GOLD	2
4	BRACKET	Iron	Nickel	1
5				
6				
NO	Component Number	Material	Finish	QTY

DRAWN	Zelin. CHEN
CHECKED	
APPROVALS	John

Tolerance	0-6 ±0.15 6-30 ±0.20 30-120 ±0.50 Angular ±5°
View	
UNIT	MM
SCALE	1:1

Name: BNC 2X1 CONNECTOR	
SIZE A	Product NO. DOSIN-801-0285-D REV B
DateTime 2017/08/25	CAD FILE H/company drawings/BD SHEET: 1 OF 1