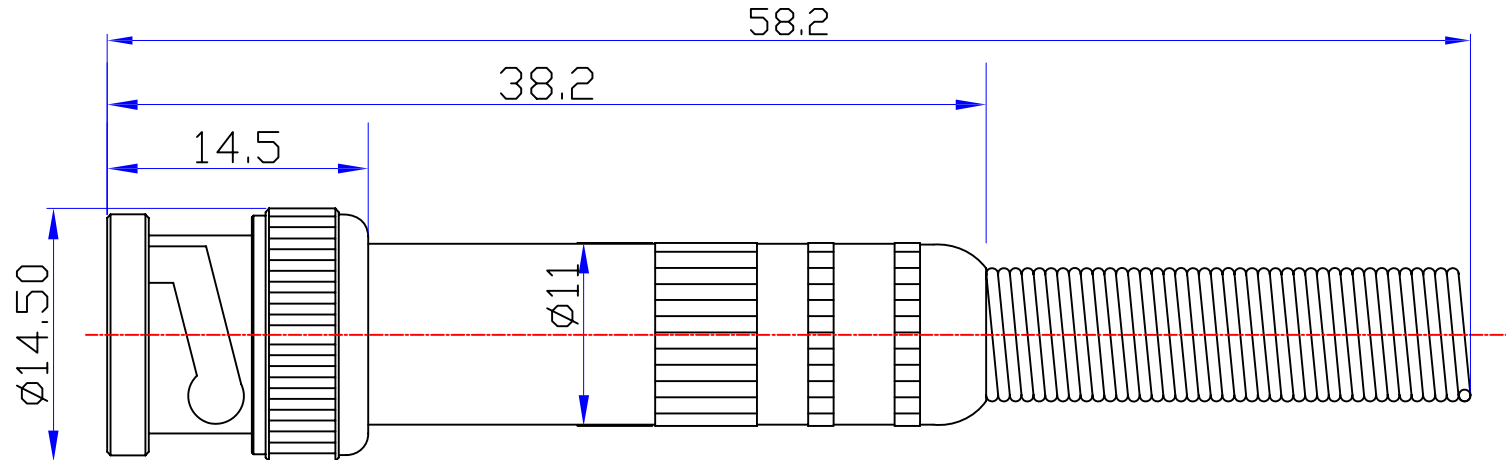




Product NO.		DOSIN-801-0139		
REV	DESCRIPTION	DWN	DATE	APPROVEN
A	First issue	JIM	2012/11/02	John kine



Specifications

Impedance: 50 Ohms
 Frequency Range: DC~3G
 VSWR: 1.3MAX
 Working Voltage: 500V rms @ sea level
 Insulation Resistance: 5000 Ohms min
 Temperature Range: -55°C TO +155°C
 Relative Temperature: ≤95% (40°C ± 2°C)
 Drawings products are in line with ROHS standards

NOTE:

Tolerance	0-6 ±0.20 6-30 ±0.30 30-120 ±0.5 Angular ±2°
View	
UNIT	MM
SCALE	1:1

Dosin Industrial(H.K)Co.Ltd
 东莞市德索五金电子制品有限公司
 Dosin Hardware Electronics Co.,Ltd
 E-mail: dosin2005@163.com
 dosin2005@dosin-china.com
 Web: http://www.dosinconn.com
 TEL: (0086)769-81153906
 FAX: (0086)769-81875836

C	INSULATOR	POM	NONE	1
B	CONTACT PLATINC	BRASS	GOLD	1
A	BODY	BRASS	NICKEL	1
NO	DESCRIPTION	MATERIAL	FINISHED	QTY

DRAWN	2012/11/10
Zelin. Zhang	
CHECKED	
APPROVALS	12/04/2012
John Kine	

Name:	BNC CONNECTOR DNN		
SIZE	Product NO.	REV	
A	DOSIN-801-0139	B	
DateTime	CAD FILE	SHEET: 1 OF 1	
2012/11/02	D/company drawings/BD		