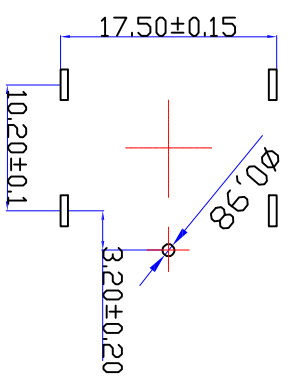
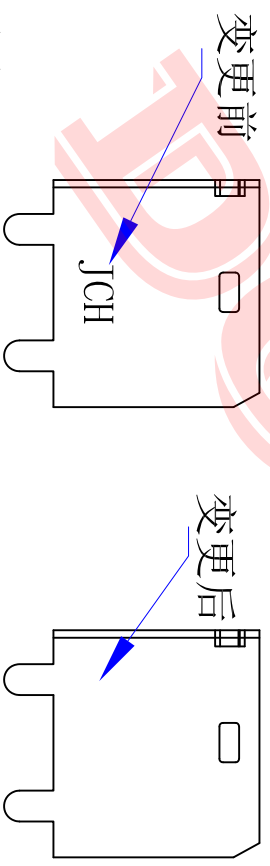
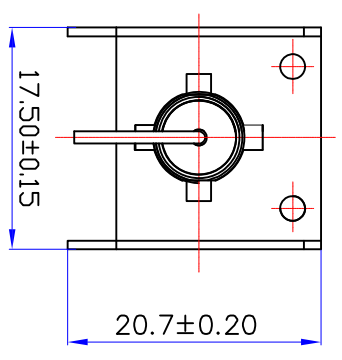
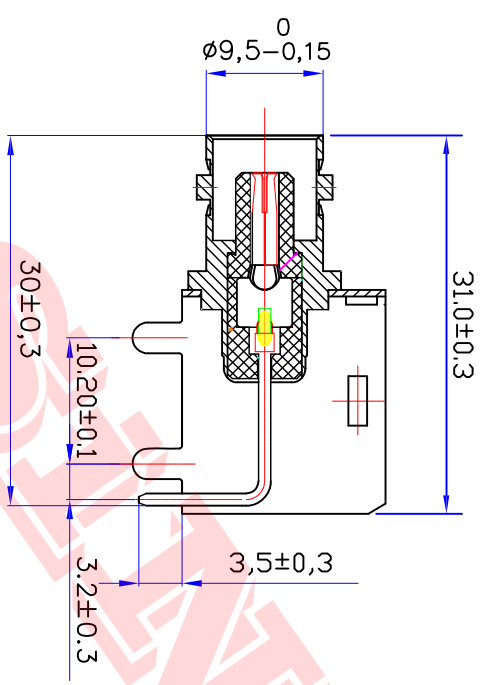
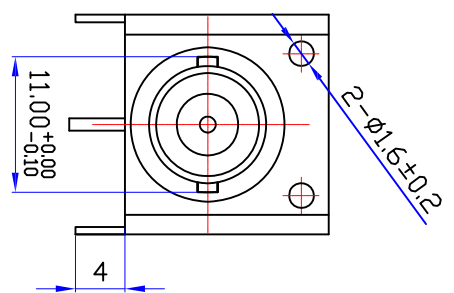




Product NO.		DOSIN-801-0116		
REV	DESCRIPTION	DWN	DATE	APPROVEN
A	First issue	Mr. wang	2012/11/02	John kine
B	变更去掉 (JCH)	Mr. CHEN	2016/10/28	John kine



Specification:

Impedance: 50 Ohms
 VSWR:1.3MAX
 Frequency range:DC~4G
 Working Voltage:500V rms @ sea level
 Insulation resistance:5000 Ohms min
 Temperature range:-55°C T0 +155°C
 Relative temperature:≤95%(40° C±2° C)
 Drawings products are in line with ROHS standards.

1	Body	Zinc	NICKEL
2	Center contact	Brass	COLD
3	Insulator	POW	White
4	BRACKET	Iron	NICKEL
5			
6			
7			
8			
9			
10	Component Number	Material	Finish

NOTE:		
Tolerance		X, X.X X.XX Angular ±5°
View		Angular
UNIT		MM
SCALE		1:1

DOSIN — INDUSTRIAL **Dosin Industrial(H.K) Co.Ltd** E-mail: dosin2005@163.com
 东莞市德索五金电子有限公司 dosin2005@dosin-china.com
Dosin Hardware Electronics Co., Ltd Web: http://www.china-guan.com
 2016/10/28 DATE **DOSIN-801-0116** Product NO. **BNC Jack PCB Mount** REV
 2016/10/28 Date/Time **DOSIN-801-0116** CAD FILE **D/company drawings/BD** SHEET: 1 OF 1