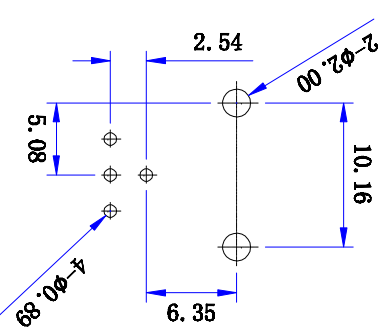
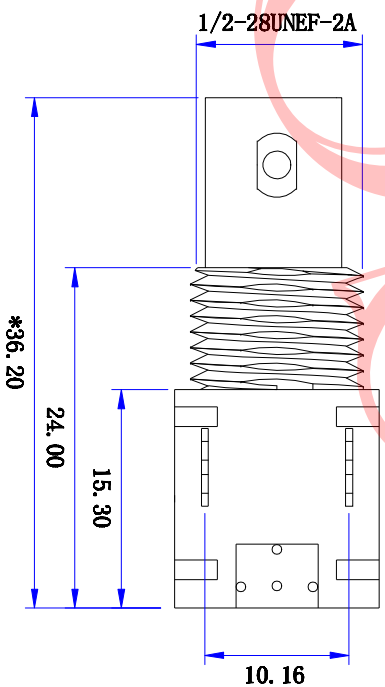
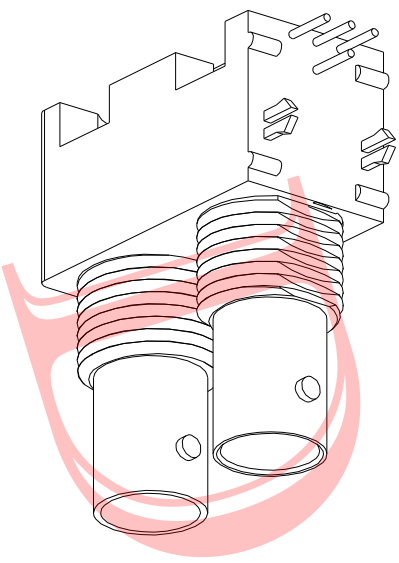
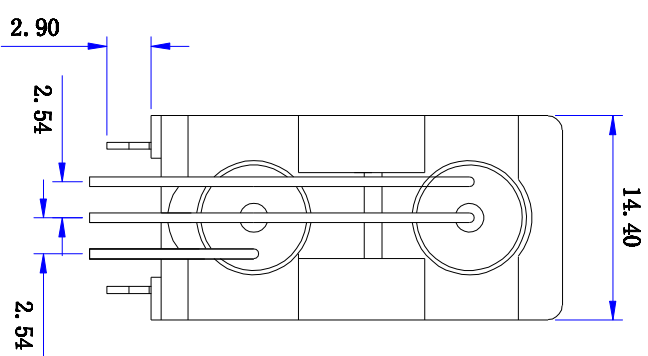
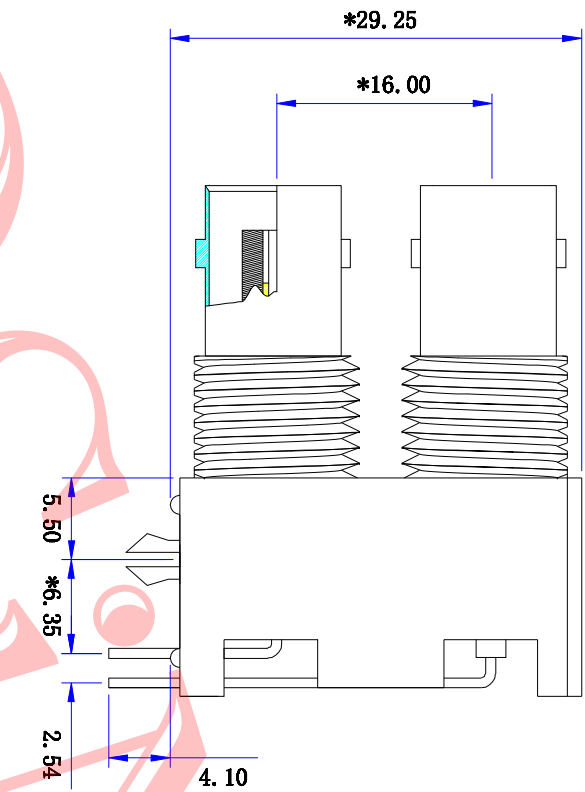
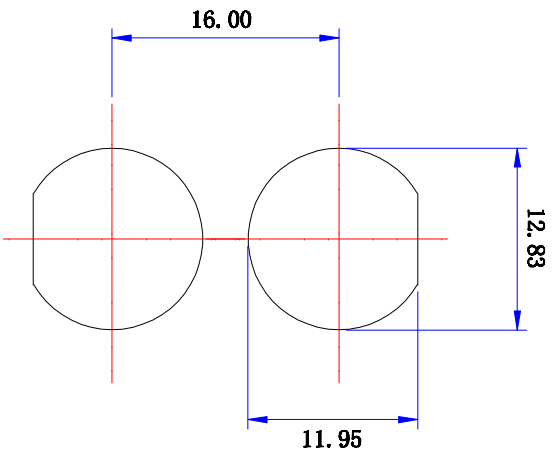




Product NO.		DOSIN-801-0095	
REV	DESCRIPTION	DWN	DATE
A	First Issue	JTM	2012/11/02
			APPROVEN
			John kine



Specifications

- Impedance: 50 Ohms
 - Frequency Range: DC~3G
 - VSWR: 1.3MAX
 - Working Voltage: 500V rms @ sea level
 - Insulation Resistance: 5000 Ohms min
 - Temperature Range: -55°C T0 +155°C
 - Relative Temperature: ≤95% (40°C ±2°C)
- Drawings products are in line with ROHS standards

D	Plastic body	ABS	BLACK	1
C	INSULATOR	POM	NONE	1
B	CONTACT PLATING	BRASS	GOLD	4
A	BDDY	ZINC	NICKEL	2
ND	DESCRIPTION	MATERIAL	FINISHED	QTY
A		B		C

NOTE:

DRAWN	Zelin. Zhang	2012/11/10
CHECKED		
APPROVALS	John	12/04/2012

Tolerance: 0-6 ±0.15, 6-30 ±0.20, 30-120 ±0.5, Angular ±2°

UNIT: MM, SCALE: 1:1

Name: BNC CONNECTOR DNN

SIZE A: Product NO. DOSIN-801-0095

Date/Time: 2012/11/02

CAD FILE: D/company drawings/BD

SHEET: 1 OF 1

REV A

DOSIN Dongsin Industrial(H.K)Co.,Ltd
 东莞市德索五金电子有限公司
 Dosin Hardware Electronics Co.,Ltd

E-mail: dosin2005@163.com
 dosin2005@doshir-china.com
 Web: http://www.dosinconn.com
 TEL: (0086)769-8153906
 FAX: (0086)769-81875836