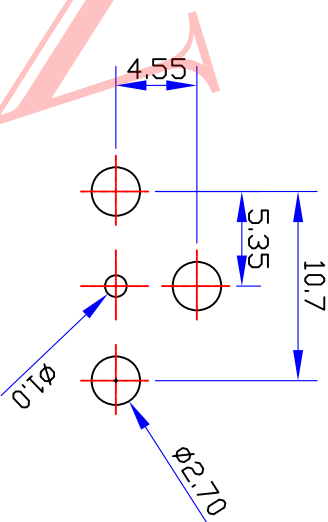
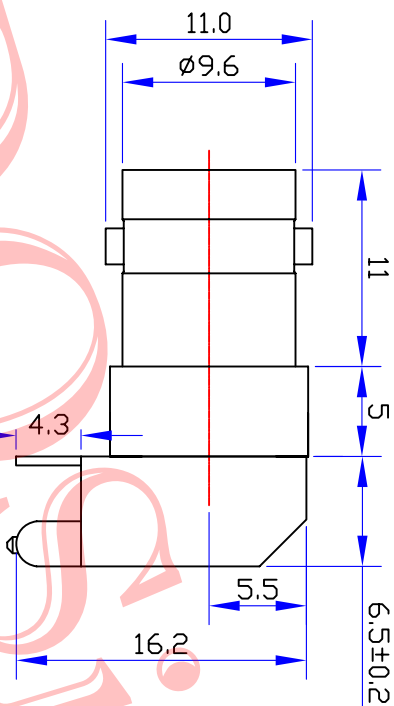
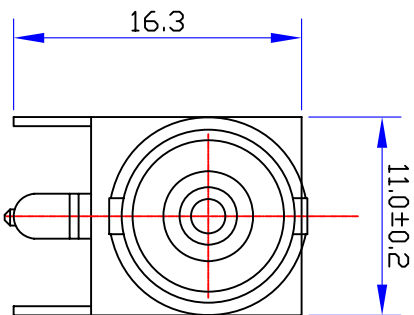




Product NO.		DOSIN-801-0073		
REV	DESCRIPTION	DMN	DATE	APPROVEN
A	First Issue	JIM	2012/11/02	John kine



PCB LAYOUT  
<BOTTOM VIEW>

### Specifications

Impedance: 75 Ohms  
 Frequency Range: DC~3G  
 VSWR: 1.3MAX  
 Working Voltage: 500V rms @ sea level  
 Insulation Resistance: 5000 Ohms min  
 Temperature Range: -55°C T0 +155°C  
 Relative Temperature: ≤95% (40°C ±2°C)  
 Drawings products are in line with ROHS standards

NOTE:

DRAWN	Zelin Zhang	2012/11/10	Tolerance	0-6 6-30 30-120 Angular	±0.15 ±0.20 ±0.5 ±2°
CHECKED			View		
UNIT			SCALE	MM	1:1

D	STAND	TIN PLATE	NICKEL	1
C	INSULATOR	POM	NONE	1
B	CONTACT PLATING	BRASS	GOLD	1
A	BODY	BRASS	NICKEL	1
NO	DESCRIPTION	MATERIAL	FINISHED	QTY

Name: BNC CONNECTOR DNN  
 Dosin Industrial(H.K)Co.Ltd  
 东莞市德奈五金电子有限公司  
 Dosin Hardware Electronics Co.,Ltd  
 E-mail: dosin2005@163.com  
 dosin2005@dosing-china.com  
 Web: http://www.dosing.com  
 TEL: (0086)769-81153906  
 FAX: (0086)769-81875836

APPROVALS	19/04/2012	SCALE	1:1	DATE TIME	2012/11/02	CAD FILE	D:/company drawings/BD	SHEET:	1 OF 1
-----------	------------	-------	-----	-----------	------------	----------	------------------------	--------	--------