

2.4/5GHz 1005 Diplexer: DPX1005R245510K69

Applications:

WLAN, 802.11b/g, ISM Band...

Features

SMD, high reliability, ultra Impact...

Part number

DPX 1005 R 2455 10K 69
 (1) (2) (3) (4) (5)

(1)Size Code	1.0x0.5mm
(2) Packing	Tape and reel
(3) Frequency	2.4/5GHz
(4) Packing Number	10K
(5)Type	69

Electrical Specification

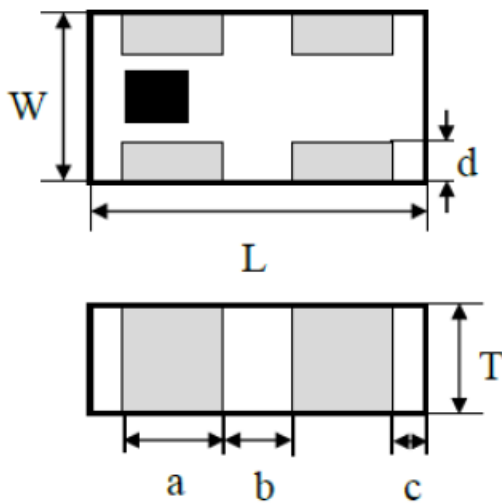
DESCRIPTION	VALUE	
Pass Band	LOW Band	High Band
	2400~2500MHz	4900~5950MHz
Insertion Loss	0.35 (typ.) 0.60dB (Max)	0.6(typ.) 1.0dB (Max)
Return Loss	20.0(typ.) 12.0dB(Min)	18.5(typ.) 10.0dB(Min)
Attenuation	27.8(typ.) 23dB(Min).@4800~6000MHz 27.2(typ.) 23dB(Min).@7200~7500MHz	27.5(typ.) 25dB(Min).@4800~6000MHz 38.8(typ.)32dB(Min).@2400~2500MHz 27.1(typ.)23dB(Min).@2500~2690MHz 25.0(typ.)20dB(Min).@9800~11900MHz
Operating Temperature	-40 ~ +85 °C	

The specification is defined on EVB.

2.4/5GHz 1005 Diplexer: DPX1005R245510K69

Dimension and Terminal Configuration

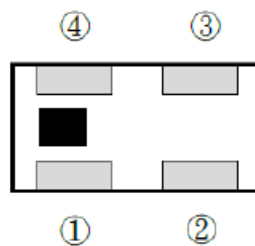
Outline



Termination

Terminal name	Function
P1	Common
P2	GND
P3	High band
P4	Low band

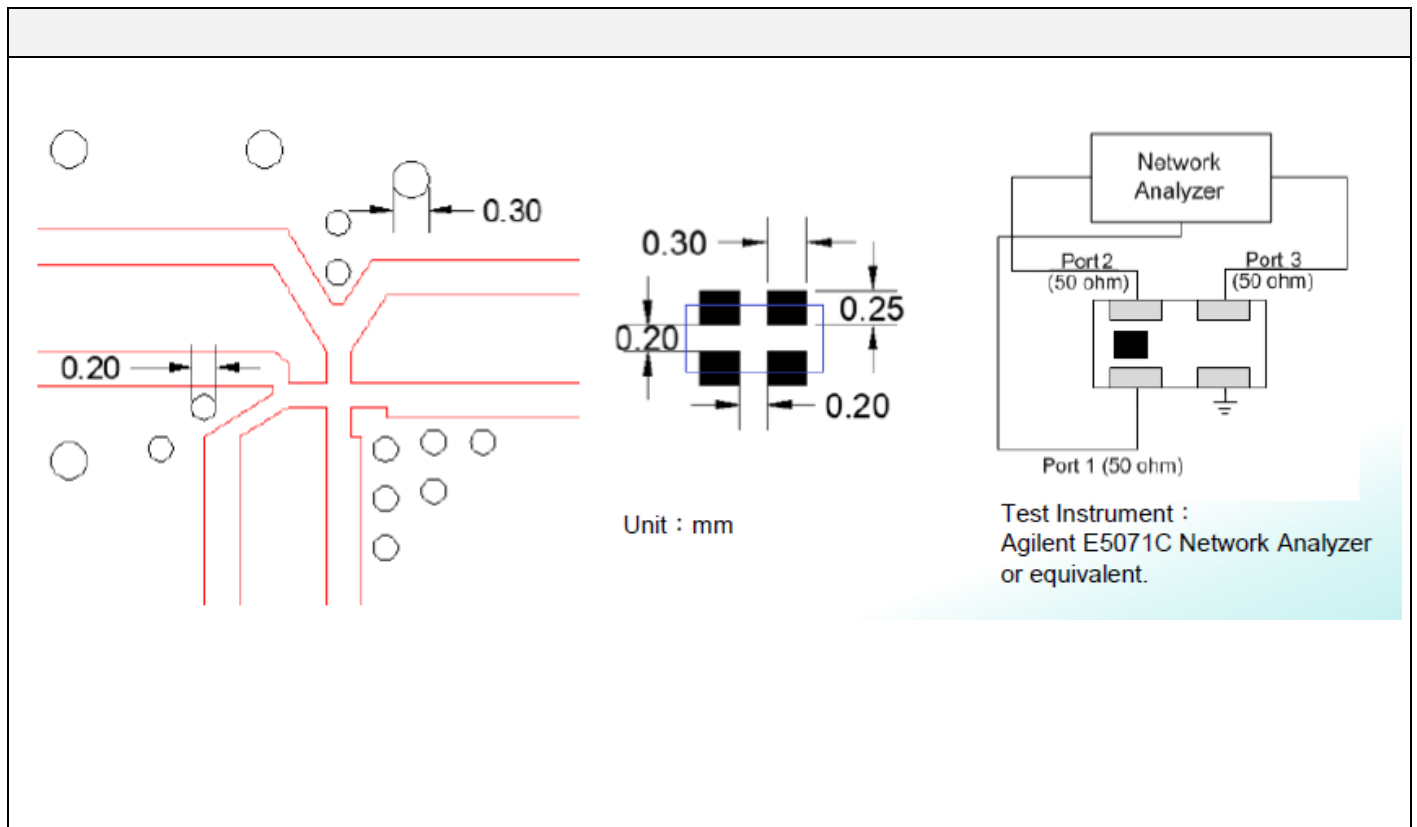
Top View



Mechanical

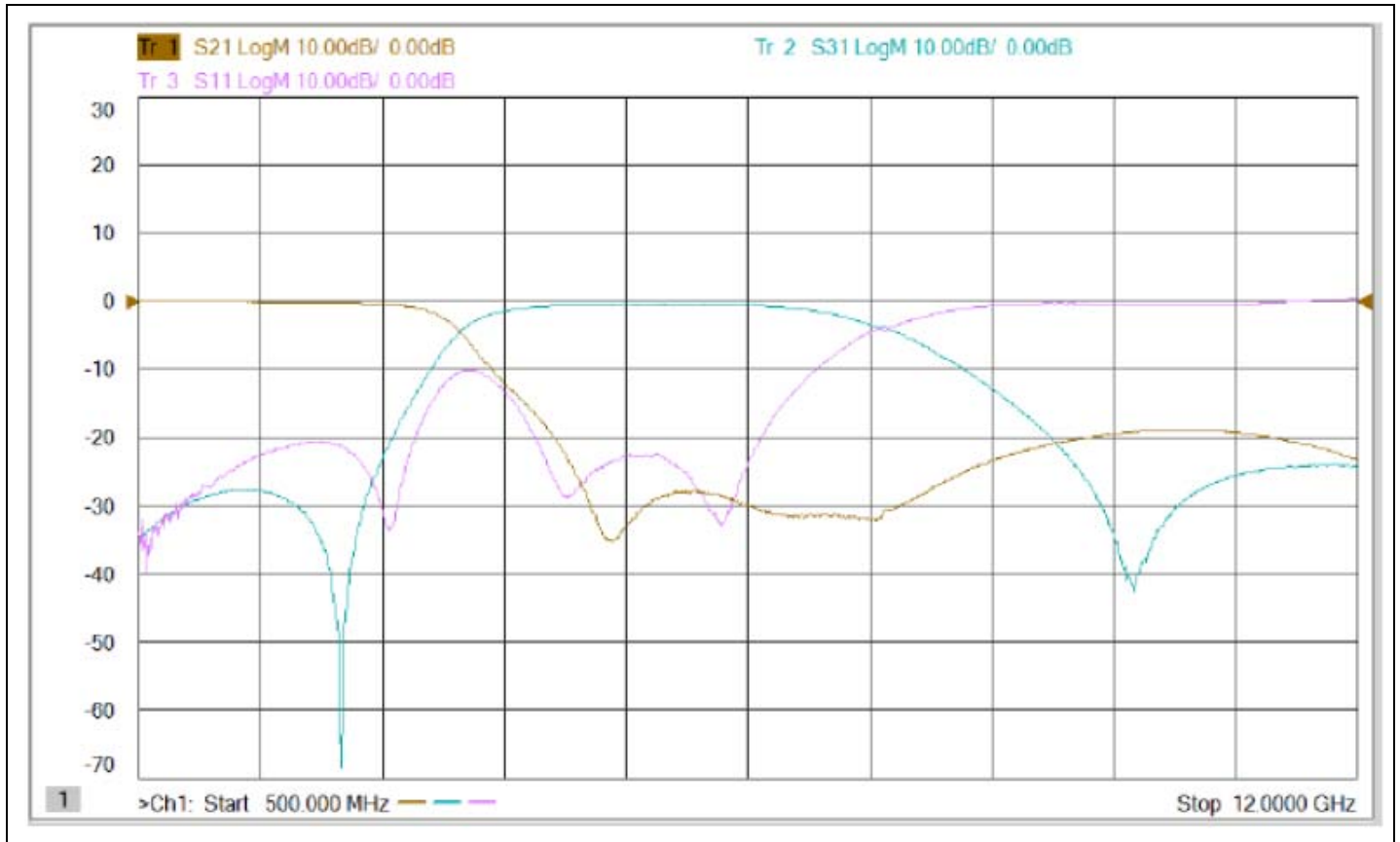
	Dimension
L (mm)	1.00±0.10
W (mm)	0.50±0.10
T (mm)	0.33 (Max.)
a (mm)	0.30±0.10
b (mm)	0.20±0.10
c (mm)	0.10±0.10
d (mm)	0.12±0.07

Evaluation Board Reference



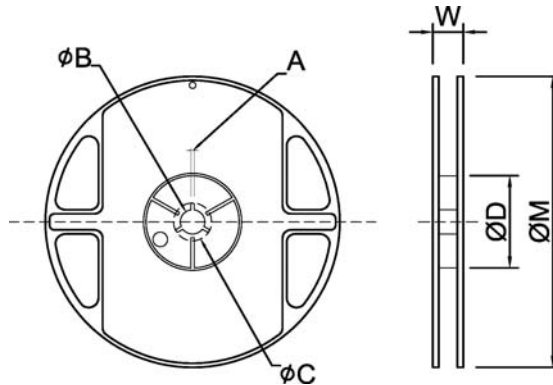
2.4/5GHz 1005 Diplexer: DPX1005R245510K69

Electrical Characteristics



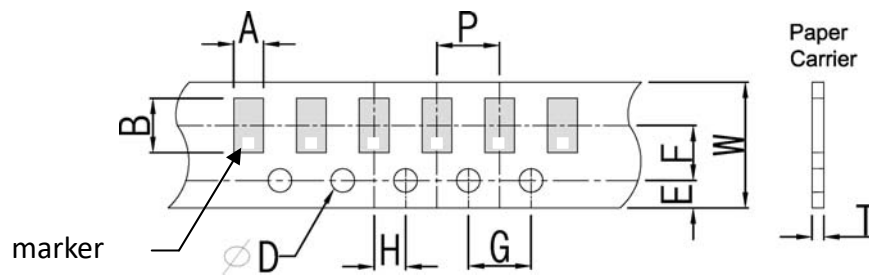
Reel and Taping Specification

Reel Specification



TYPE	SIZE	A	ψB	ψC	ψD	W	ψM
1005	7" 10K/Reel	2.0±0.5	13.5±1.0	21±1.0	60±1.0	11.5±2.0	178±2.0

Tapping Specification

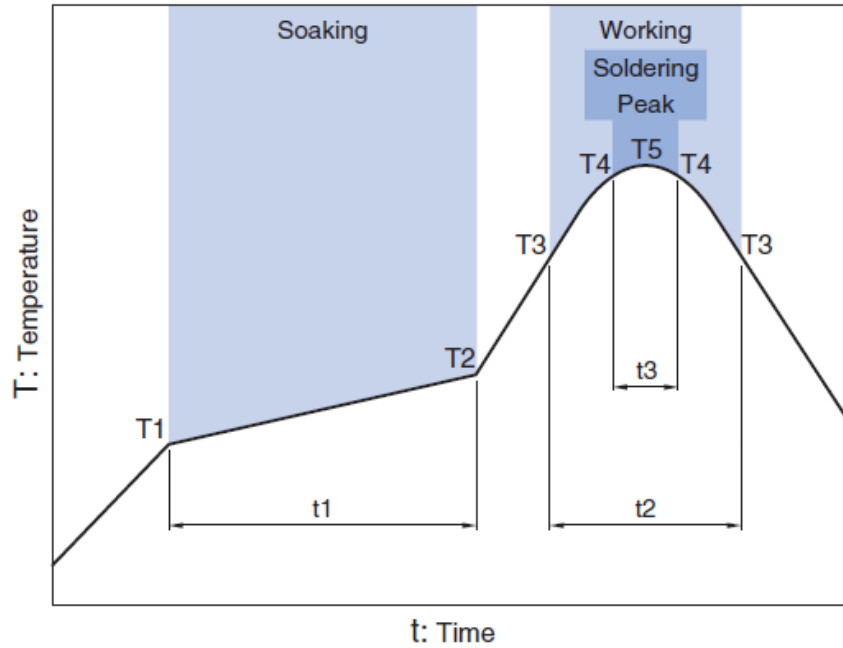


Packaging	Type	A	B	W	E	F	G	H	T	ψD	P
Paper Type	1005	1.00±0.20	1.55±0.20	8.0±0.20	1.75±0.10	3.3±0.05	4.0±0.10	2.0±0.05	0.75±0.10	1.50 +0.10 -0	4.0±0.1

2.4/5GHz 1005 Diplexer: DPX1005R245510K69

Recommended Reflow Profile

Pb free solder



Soaking		Working		Soldering		Peak	
Temp.	Time	Temp.	Time	Temp.	Time	Temp.	
T1	T2	t1	T3	t2	T4	t3	T5
150°C	180°C	60 to 120sec	230°C	more than 30sec	247 to 253°C	within 10sec	260°C Max.

JUNE 2022 Ver.H01