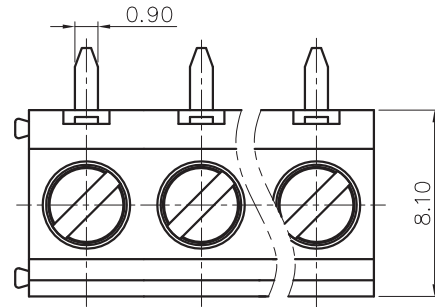


REVISION RECORD				
REV	ECN	DESCRIPTION	DRFT	DATE



NOTES1:

- UL Standard  
 1. Rated Voltage/Current : 300V / 12A  
 2. Torque Value : M2.5 , 3.54Lb.in  
 3. Wire Range : 26~14AWG

IEC Standard

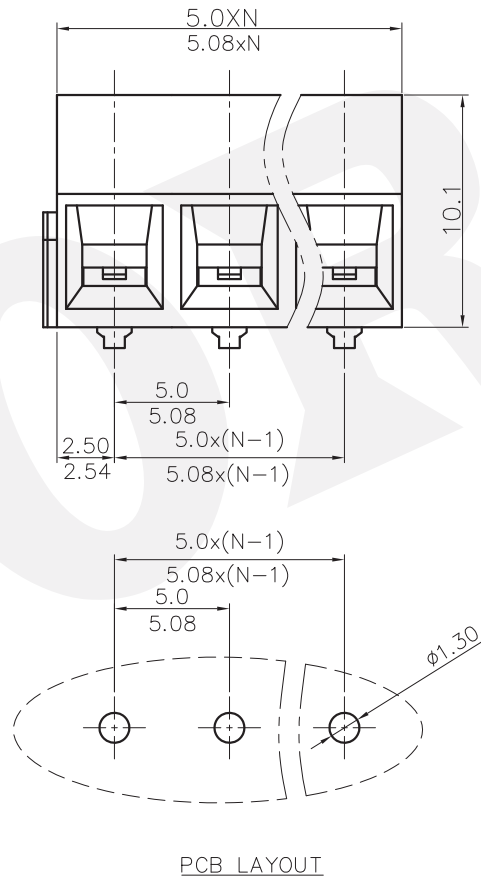
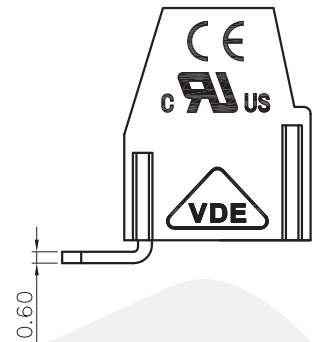
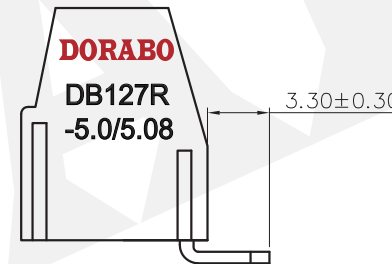
1. Rated Voltage/Current : 250V / 15A  
 2. Torque Value : M2.5 , 0.4N.m  
 3. Wire Range : 0.75~1.5mm<sup>2</sup>

NOTES2:

1. Dimension shall be interpreted per ASME Y14.5-2009  
 2. Pitch : 5.0mm, Poles : N=02~XXP  
 3. Stripping length : 6~7mm  
 4. Withstanding Voltage : AC2000V/1Min.  
 5. Operating temperature : -40°C~+105°C  
 6. Undimensioned Tolerances:

Pitch range in mm		Nominal dimension range in mm					□	∇
TO	Over	TO	Over	TO	Over	TO	Over	
6	10	30	60	100	150	0.1/10		
6	10	24	60	100	150	<		
±0.15	±0.20	±0.30	±0.30	±0.50	±0.70	±1.00	±1.30	
							±2'	

7. RoHS Compliance



DB127R - 5.0/5.08 - XXP - 1Y - 00A (H)  
 (Series No.) (Pitch) (Poles) (Single Pitch) (RoHS) 00A--(Standard)  
 (Color) : 1.(Grey) 2.(Blue) 3.(Black) 4.(Green) 5.(Orange) 6.(Red) 7.(Transparent) 8.(Yellow) 9.(White)

DETACHED LISTS	PART NO.:	/			
	APPD:	/			
	CHKD:	/			
	DRFT:	/			
	THIRD ANGLE PROJECTION				
	<b>DORABO</b>	慈溪市地博电子有限公司 CIXI DORABO ELECTRONICS CO.,LTD			
	NAME:	DB127R-5.0/5.08-XXP-1Y-00A(H)			
	TITLE:	CUSTOMER DRAWING	REV	DO	
	DRAWING NO.:	/	SHEET	1/1	
	MM (INCH)	DO NOT SCALE DRAWING	SCALE	1:1	