

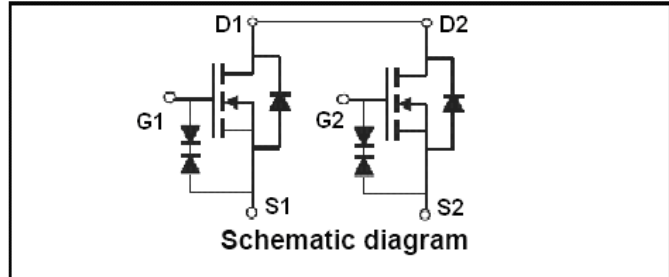
**SE8810A**  
**Dual N-Channel Enhancement Mode Field Effect Transistor**

Revision:A

**Features**

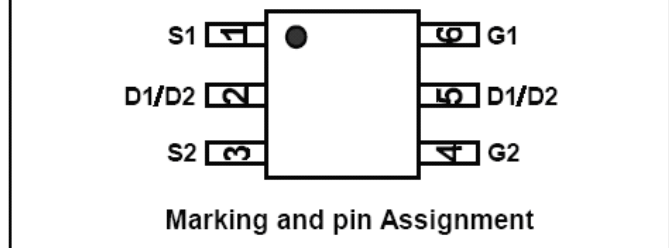
For a single mosfet

- $V_{DSS} = 20\text{ V}$
- $R_{DS(ON)} < 20\text{m}\Omega$  @  $V_{GS}=4.5\text{V}$  @  $I_{DS}=7\text{A}$
- $R_{DS(ON)} < 25\text{m}\Omega$  @  $V_{GS}=2.5\text{V}$  @  $I_{DS}=4\text{A}$



**Applications**

- Battery protection
- Load switch
- Power management



**Construction**

- Silicon epitaxial planer



**Absolute Maximum Ratings**

Parameter		Symbol	Rating	Units
Drain-Source Voltage		$V_{DS}$	20	V
Gate-Source Voltage		$V_{GS}$	$\pm 12$	V
Drain Current (Note 1)	Continuous	$I_D$	7	A
	Pulsed	$I_{DM}$	28	
Drain-Source Diode Forward Current		$I_S$	1.7	A
Maximum Power Dissipation		$P_D$	1.5	W
Operating Junction Temperature Range		$T_J$	-55 to 150	$^{\circ}\text{C}$
Storage Temperature Range		$T_{STG}$		

# SE8810A

Electrical Characteristics (T <sub>J</sub> =25°C unless otherwise noted)						
Symbol	Parameter	Test Conditions	Min	Typ	Max	Units
<b>OFF CHARACTERISTICS</b>						
B <sub>VDSS</sub>	Drain-Source Breakdown Voltage	I <sub>D</sub> =250μA, V <sub>GS</sub> =0 V	20			V
I <sub>DSS</sub>	Zero Gate Voltage Drain Current	V <sub>DS</sub> =16 V, V <sub>GS</sub> =0 V			1	μA
I <sub>GSS</sub>	Gate-Body leakage	V <sub>DS</sub> =0 V, V <sub>GS</sub> =±12 V			±10	μA
<b>ON CHARACTERISTICS</b>						
V <sub>GS(th)</sub>	Gate Threshold Voltage	V <sub>DS</sub> =V <sub>GS</sub> I <sub>D</sub> =250μA	0.5	0.8	1.2	V
R <sub>DS(ON)</sub>	Static Drain-Source On-Resistance	V <sub>GS</sub> =4.5V, I <sub>D</sub> =7A	-	17	20	mΩ
		V <sub>GS</sub> =2.5V, I <sub>D</sub> =5A	-	20	25	
g <sub>FS</sub>	Forward Transconductance	V <sub>DS</sub> =5V, I <sub>D</sub> =5A		19		S
<b>DYNAMIC PARAMETERS</b>						
C <sub>iss</sub>	Input Capacitance	V <sub>GS</sub> =0V, V <sub>DS</sub> =8V, f=1.0MHz		693		pF
C <sub>oss</sub>	Output Capacitance			189		pF
C <sub>rss</sub>	Reverse Transfer Capacitance			136		pF
<b>SWITCHING PARAMETERS</b>						
Q <sub>g</sub>	Total Gate Charge	V <sub>GS</sub> =4.0V		11		nC
Q <sub>gs</sub>	Gate Source Charge	V <sub>DS</sub> =10V		1.8		
Q <sub>gd</sub>	Gate Drain Charge	I <sub>D</sub> =5A		4.9		
t <sub>d(on)</sub>	Turn-On DelayTime	V <sub>GEN</sub> =4.0V		31		ns
t <sub>d(off)</sub>	Turn-Off DelayTime	R <sub>GEN</sub> =10Ω		96		
t <sub>d(r)</sub>	Turn-On Rise Time	V <sub>DD</sub> =10V		62		
t <sub>d(f)</sub>	Turn-Off Fall Time	I <sub>D</sub> =1A		40		

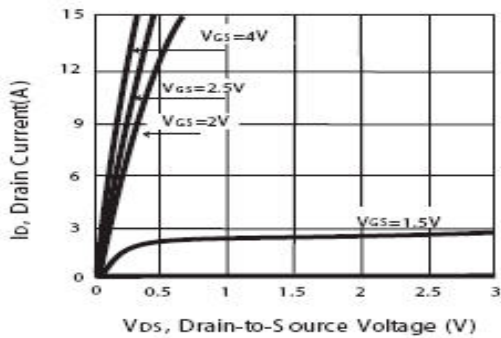


Figure 1. Output Characteristics



Figure 2. Transfer Characteristics

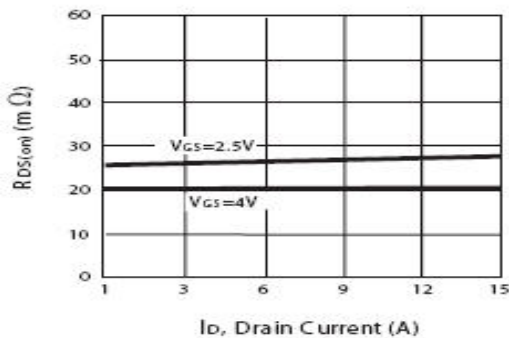


Figure 3. On-Resistance vs. Drain Current and Gate Voltage

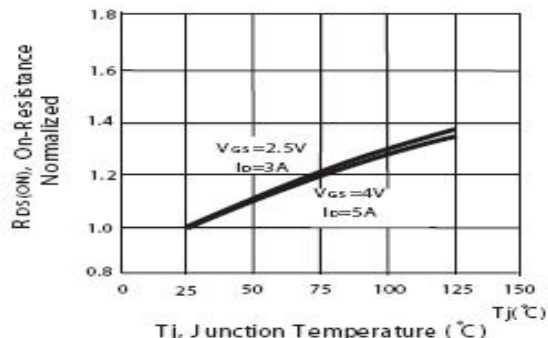


Figure 4. On-Resistance Variation with Drain Current and Temperature

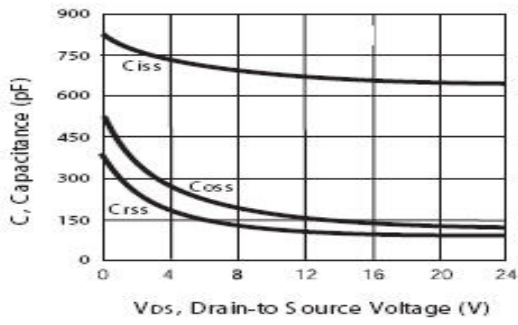


Figure 9. Capacitance

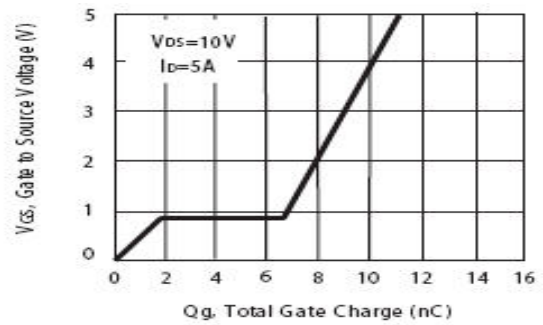


Figure 10. Gate Charge

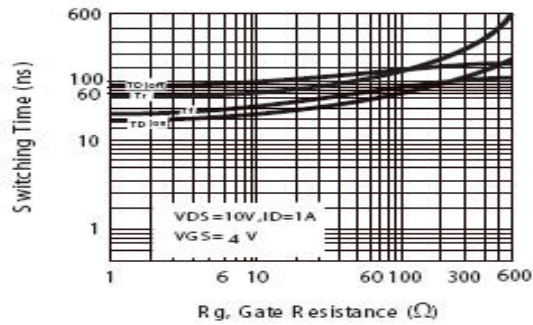


Figure 11. switching characteristics

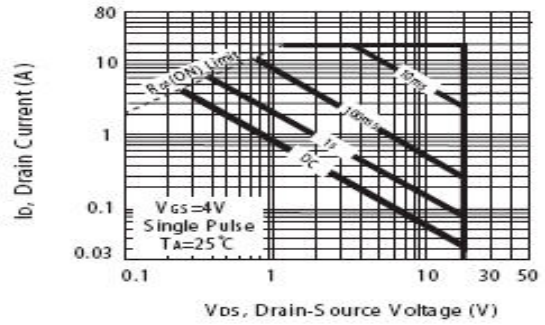


Figure 12. Maximum Safe Operating Area

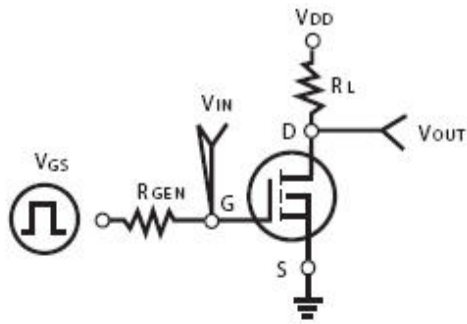


Figure 11. Switching Test Circuit

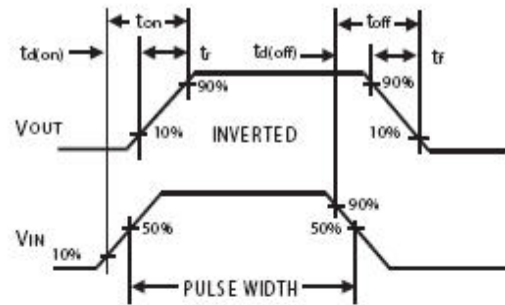
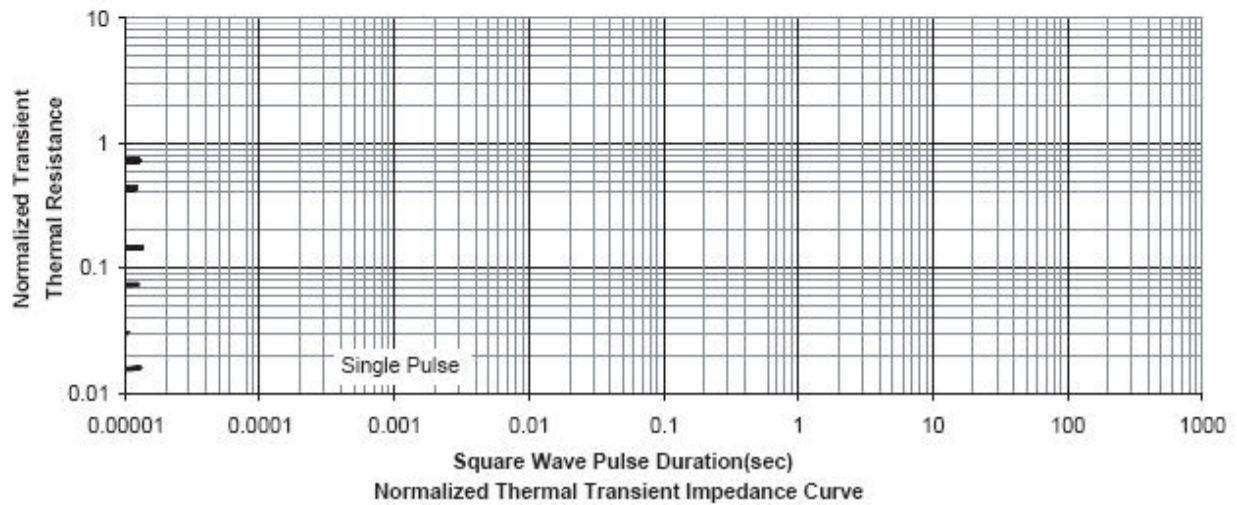
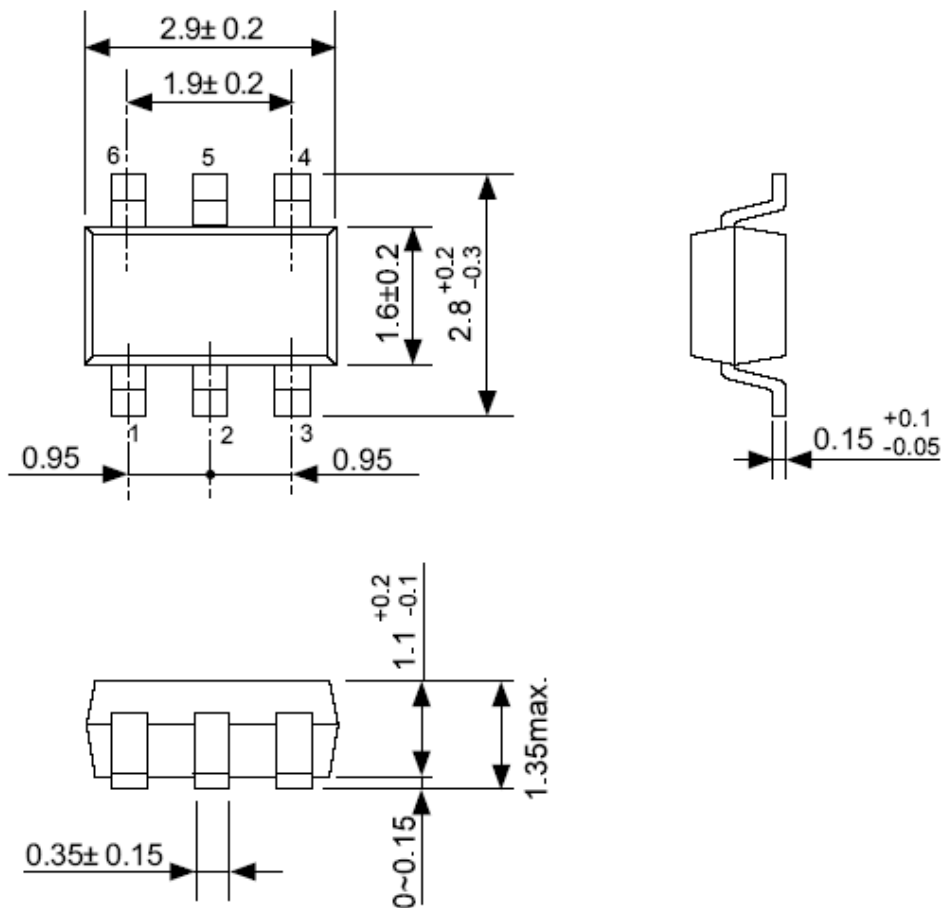


Figure 12. Switching Waveforms



PACKAGE DIMENSION (Unit:mm)

SOT-23-6



The SINO-IC logo is a registered trademark of ShangHai Sino-IC Microelectronics Co., Ltd.

© 2005 SINO-IC – Printed in China – All rights reserved.

SHANGHAI SINO-IC MICROELECTRONICS CO., LTD

**Add:** Building 3, Room 3401-03, No.200 Zhangheng Road, ZhangJiang Hi-Tech Park, Pudong, Shanghai 201203, China

**Phone:** +86-21-33932402 33932403 33932405 33933508 33933608

**Fax:** +86-21-33932401

**Email:** szrxw002@126.com

**Website:** <http://www.sino-ic.net>