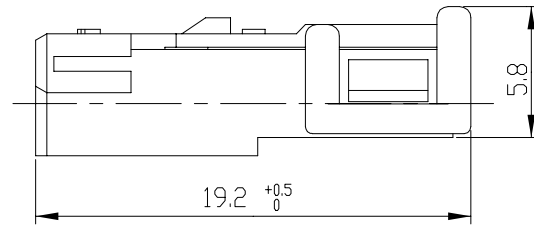
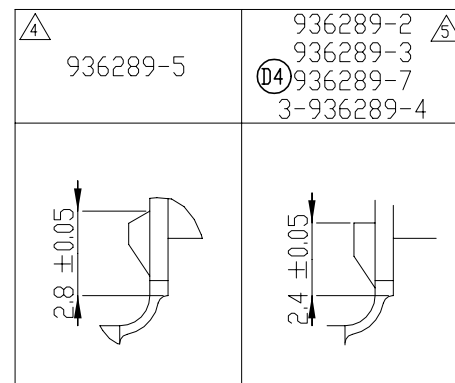
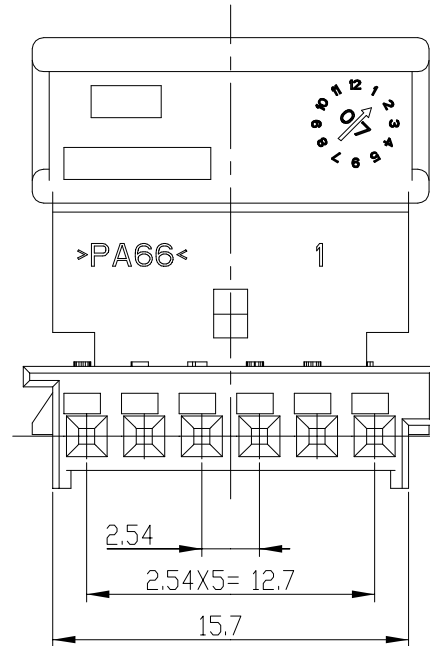
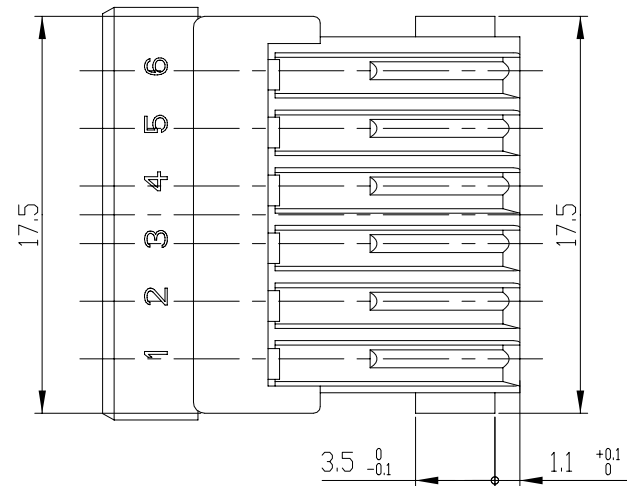
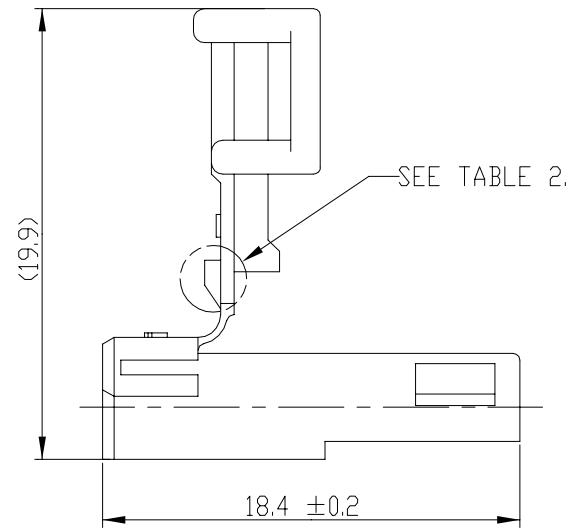


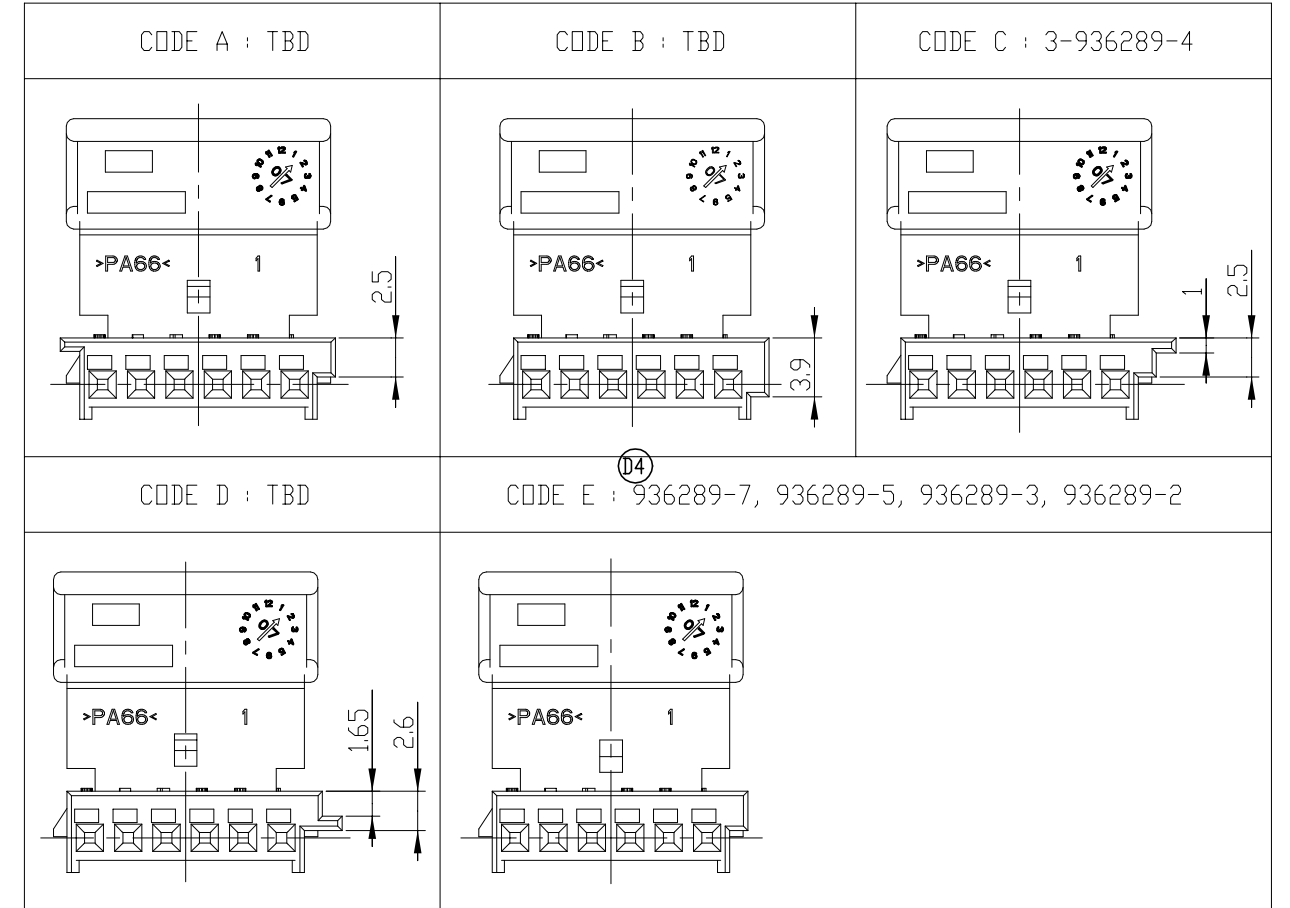
P	LTR	DESCRIPTION	DATE	DWN	APVD
D3		REVISED (ECR-16-009804)	07JUL2016	JM	JW
D4		REVISED (ECR-17-000376)	10JAN2017	JM	JW
D5		REVISED (ECR-17-014365)	28SEP2017	HH	YJ
D6		REVISED (ECR-22-150596)	26AUG2022	DG	YJ



IN CLOSED POSITION



(TABLE 1) SCALE 2:1



NO.	CODE	COLOR	MATERIAL	DESCRIPTION	PART NO.
D4 1	E	GRAY	PA66	SOCKET HSG 6P	5 936289-3
	E	BLACK	PA66	SOCKET HSG 6P	5 936289-2
	E	NATURAL	PBT	SOCKET HSG 6P	4 936289-5
	E	GREEN	PA66	SOCKET HSG 6P	5 936289-7
	D	-	PBT	SOCKET HSG 6P	TBD
	C	BROWN	PA66	SOCKET HSG 6P	5 3-936289-4
	B	-	PBT	SOCKET HSG 6P	TBD
	A	-	PBT	SOCKET HSG 6P	TBD

NOTE

1. BE MATED WITH HEADER HSG (P/N : 936287) SMOOTHLY
2. CODE IS AS FOLLOWS: SEE TABLE 1.
3. APPLICABLE RECEPTACLE CONTACT P/N

PART NO.	DESCRIPTION	WIRE SIZE(mm <sup>2</sup> )
5-928999-X	MQS RECEPTACLE TML (SOCKET CONTACT)	0.2 ~ 0.5
5-963715-X	MQS RECEPTACLE TML (SOCKET CONTACT)	0.75

- MQS CONTACT(AVX: 0.5mm<sup>2</sup> / AVSS-X: 0.75mm<sup>2</sup>)
- △ LOCKING FORCE : MIN 4kgf (FORCE WITH FULL PINS APPLIED, ONLY EXPORT)
- △ LOCKING FORCE : OVER 8kgf
- 6. GENERAL TOLERANCE



GENERAL TOLERANCES	
10 MAX	±0.3
10 OVER 30 MAX	±0.2
30 OVER 100 MAX	±0.25
ANGLES	±3°

THIS DRAWING IS A CONTROLLED DOCUMENT.

DIMENSIONS:	TOLERANCES UNLESS OTHERWISE SPECIFIED
mm	
	0 PLC ±
	1 PLC ±
	2 PLC ±
	3 PLC ±
	4 PLC ±
ANGLES	±
FINISH	-

DWN	JM JEON
CHK	-
APVD	JW JUNG
PRODUCT SPEC	-
APPLICATION SPEC	-
WEIGHT	-

<b>TE</b> TE Connectivity			
NAME MQS. SOCKET HOUSING 6POS			
SIZE	CAGE CODE	DRAWING NO	RESTRICTED TO
A3	00779	©-936289	-