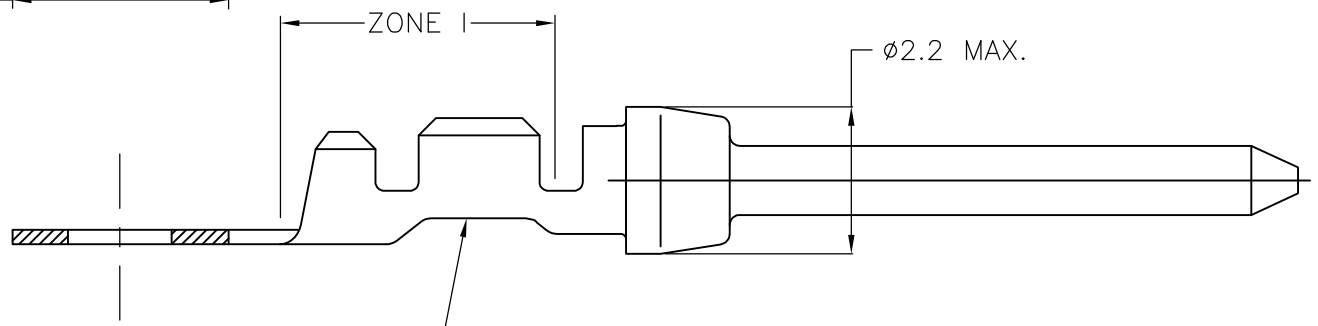
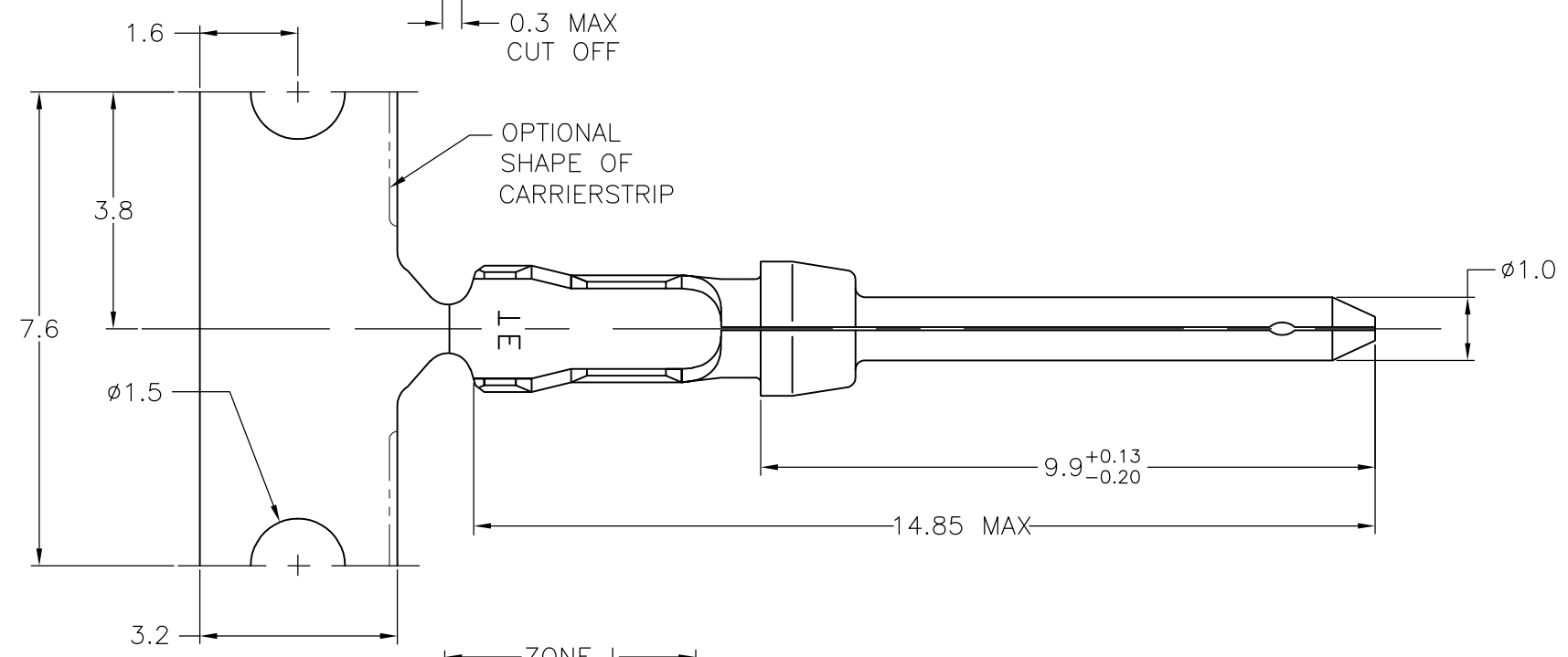
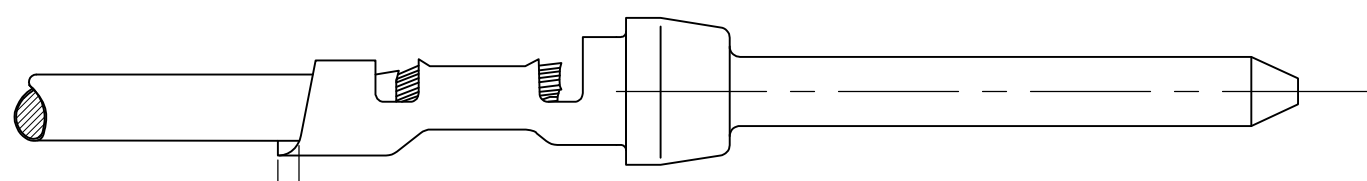
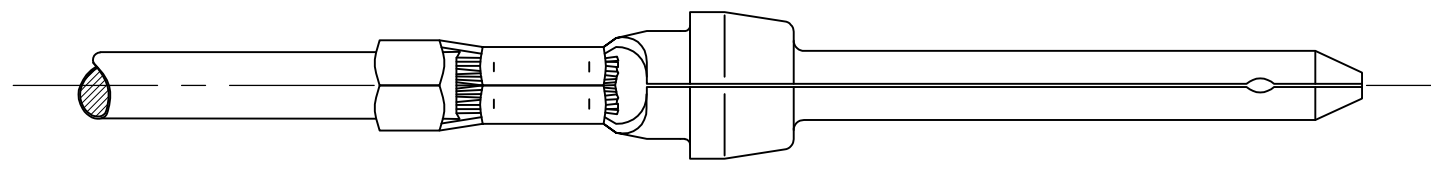


THIS DRAWING IS UNPUBLISHED. RELEASED FOR PUBLICATION
 © COPYRIGHT - By - ALL RIGHTS RESERVED.

| REVISIONS | | | | | |
|-----------|-----|---------------------------|-----------|-----|------|
| P | LTR | DESCRIPTION | DATE | DWN | APVD |
| | AA | REVISED PER ECO-16-017574 | 08DEC2016 | AP | DG |



RED COLOR CODE
(LOOSE-PIECE ONLY)

- △1 FOR MINI-APPLICATOR-12500 PCS REEL.
- △2 FOR REEL-FEED HAND TOOLING-500 PCS REEL.
- △3 FOR HAND TOOLING- LOOSE PIECE.
- 4. MATERIAL: BRASS.
- △5 FINISH:
 - Ni UNDERPLATING ALL OVER.
 - CONTACT AREA PLATING MEETS IEC-807-3 PERFORMANCE LEVEL 2.
 - CRIMP ZONE Sn PLATED.

WIRE RANGE: 24-20 AWG(0,56-0,20mm²)
 INSUL. RANGE: 1,27 - 1,52 DIA.

| | | | |
|---|----------------|---|---------------------|
| △5 | 166293-1 | 5-166053-1 | 166053-1 |
| FINISH | LOOSE PIECE △3 | PART NUMBER △2 | PART NUMBER △1 |
| DWN - CHK K. MALCZYK 09SEP08 APVD T. DE BOER 09SEP08 PRODUCT SPEC 108-40005 APPLICATION SPEC 114-10000 WEIGHT 0.000000 | | STE TE Connectivity NAME PIN CONTACT, SIZE 20 DF. SIZE CAGE CODE DRAWING NO RESTRICTED TO A3 00779 C-166053 - | |
| CUSTOMER DRAWING | | SCALE NTS | SHEET 1 OF 1 REV AA |

| | |
|---|---|
| THIS DRAWING IS A CONTROLLED DOCUMENT. DIMENSIONING AND TOLERANCING PER ASME Y14.5M-2009 | |
| DIMENSIONS: mm | TOLERANCES UNLESS OTHERWISE SPECIFIED: |
| | 0 PLC ± - 1 PLC ± 0,127 2 PLC ± - 3 PLC ± - 4 PLC ± - ANGLES ± - |
| MATERIAL - | FINISH - |