

4

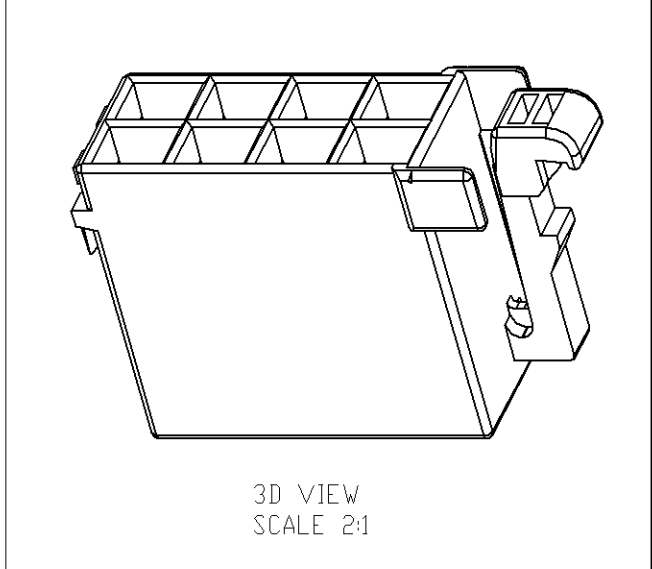
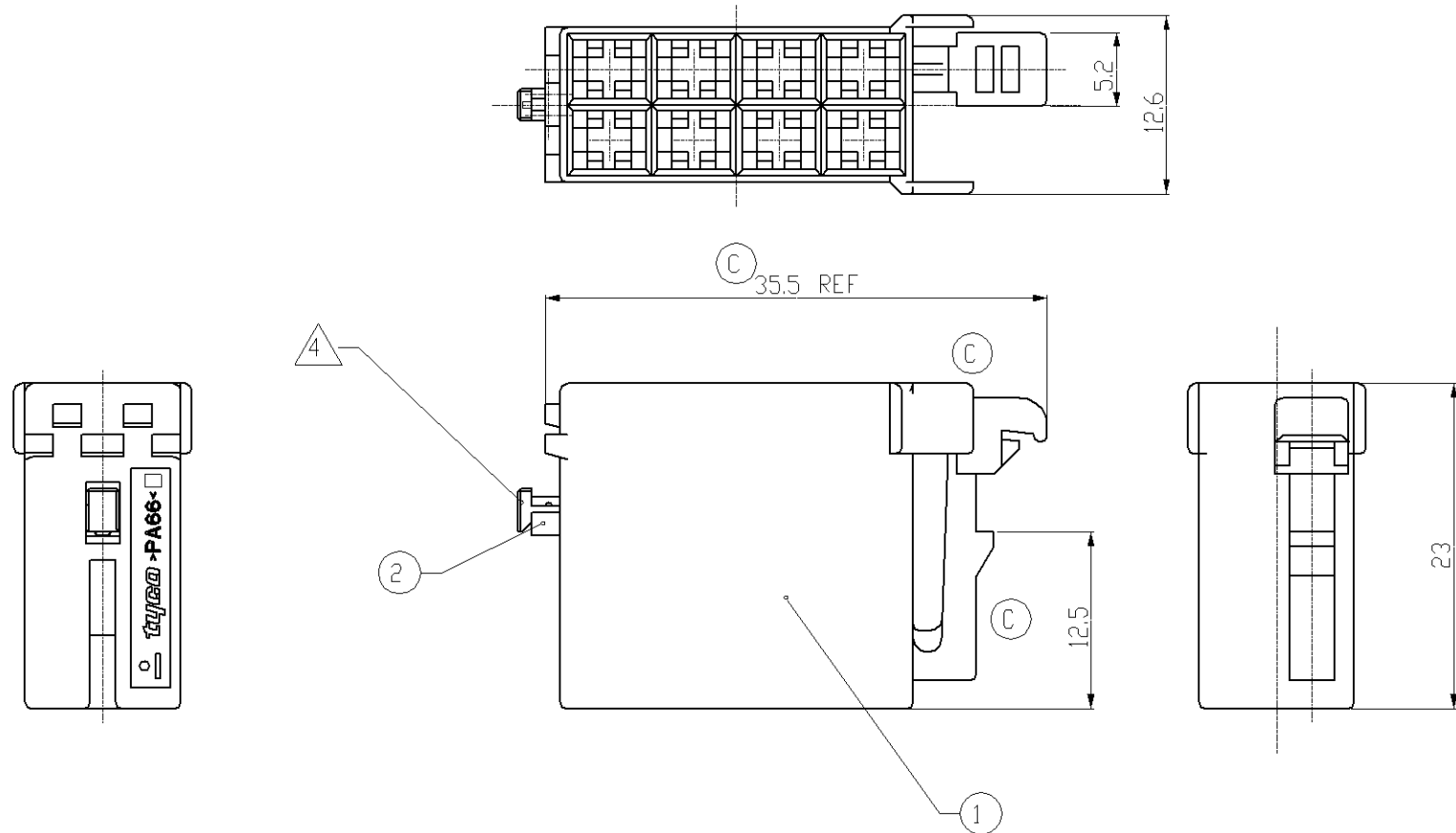
3

2

1

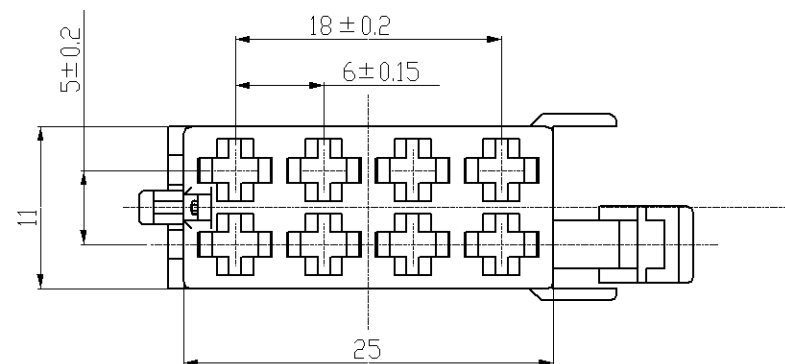
THIS DRAWING IS UNPUBLISHED. RELEASED FOR PUBLICATION 20  
COPYRIGHT 20 BY TYCO ELECTRONICS CORPORATION. ALL RIGHTS RESERVED.

LOC	DIST	REVISIONS				
P	LTR	DESCRIPTION	DATE	DWN	APVD	
DS	-					
	B	REVISED (ECR-07-021385)	04/SEP/07	YS	JK	
	C	REVISED (ECR-07-029795)	11/DEC/07	YS	JK	



< TABLE 1 >

TYPE	P/N	WIRE SIZE(mm <sup>2</sup> )	INSULATION DIA.(mm)	MATERIAL /FINISH
JT	170439-1	0.3~0.56	1.5~2.4	Phosphor Bronze /Pre-tin Plated
	170209-1	0.5~2.27	2.16~3.43	



NOTES;

1. THE MATING HSG P/N: 1897097
  2. APPLIED CONTACT P/N: SEE TABLE 1
  3. GENERAL TOLERANCES: ±0.3, ±3°
- ▲ RETAINER IS PRE-LOCKING.

NO	COLOR	MATERIAL	DESCRIPTION	Q'TY
2	NATURAL	PA66-GF15	RETAINER FOR 8P HSG	1
1	GRAY	PA66	8P JUNIOR-TIMER HSG, PART D2	1

<small>THIS DRAWING IS A CONTROLLED DOCUMENT FOR TYCO ELECTRONICS CORPORATION. IT IS SUBJECT TO CHANGE AND THE CONTROLLING ENGINEERING ORGANIZATION SHOULD BE CONTACTED FOR THE LATEST REVISION.</small>		DWN YS PARK CHK JW JUNG APVD JK SONG PRODUCT SPEC - APPLICATION SPEC - WEIGHT -		AMP KOREA. kyungsan, korea	
DIMENSIONS: mm 3rd ANGLE PROJECTION		TOLERANCES UNLESS OTHERWISE SPECIFIED: 0 PLC ±- 1 PLC ±- 2 PLC ±- 3 PLC ±- 4 PLC ±- ANGLES ±- MATERIAL SEE TABLE FINISH -		NAME JUNIOR TIMER 8P PLUG ASS'Y, PART D2 SIZE A3 CAGE CODE 00779 DRAWING NO C-1897122 RESTRICTED TO -	
CUSTOMER DRAWING			SCALE 2:1	SHEET 1 OF 1	REV C