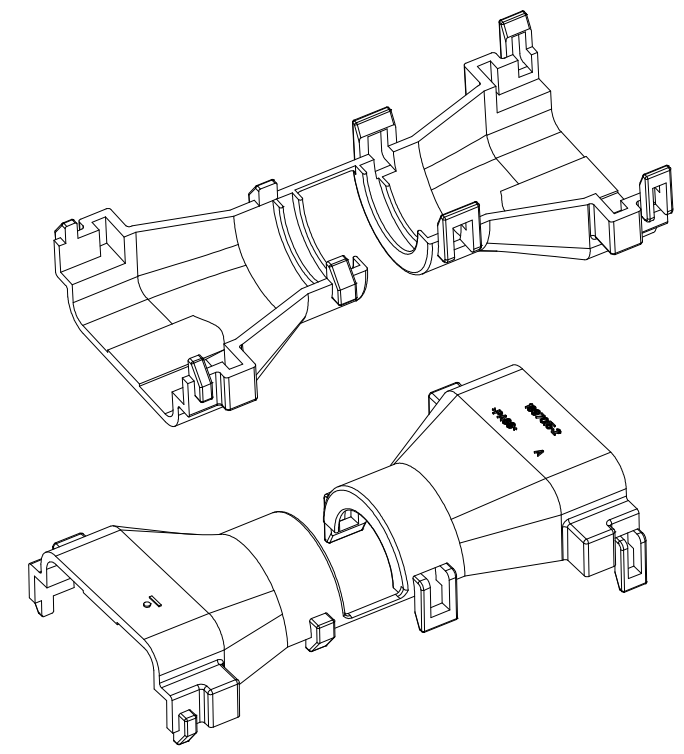
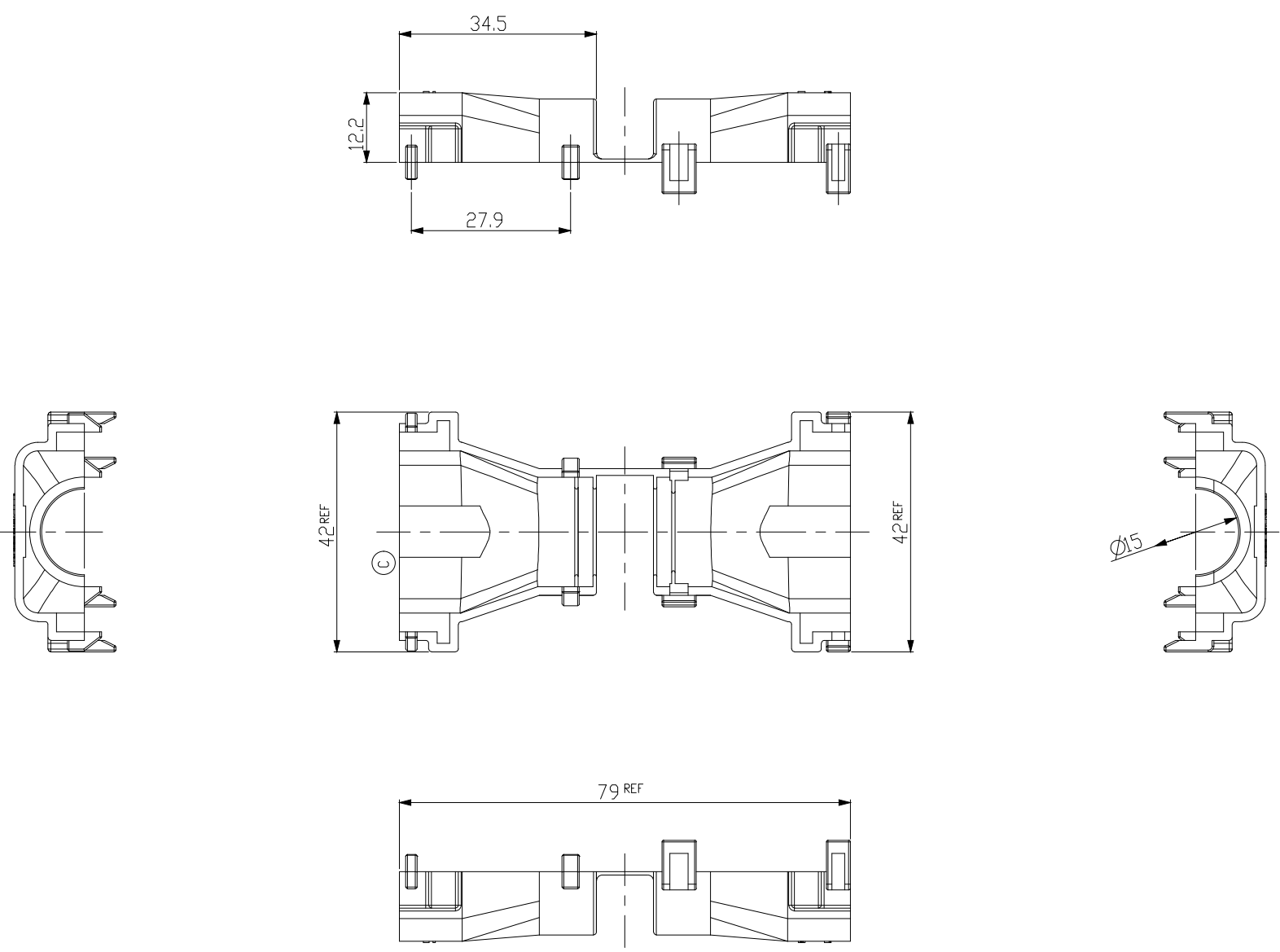


THIS DRAWING IS UNPUBLISHED. RELEASED FOR PUBLICATION 20
 © COPYRIGHT 20 BY - TE Connectivity ALL RIGHTS RESERVED.

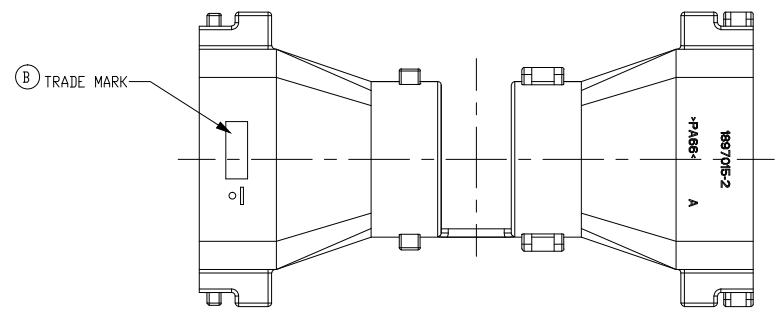
REVISIONS				
P	LTR	DESCRIPTION	DATE	DWN APVD
C		REVISED (ECR-16-004532)	19.AUG.16	SJ JW



ISOMETRIC VIEW

NOTE
 1. GENERAL TOLERANCE: ±0.3
 2. APPLICABLE CONNECTOR: X-1897013-X
 3. APPLICABLE CORRUGATE TUBE: Ø14mm
 4. APPLICATION TEST SPEC: MS210-06C (EXCEPT 4.4)

BLACK	PA66	1897015-2
COLOR	MATERIAL	P/N



THIS DRAWING IS A CONTROLLED DOCUMENT.		DWN SJ CHOI		
DIMENSIONS: mm		CHK SJ CHOI		
TOLERANCES UNLESS OTHERWISE SPECIFIED:		APVD JW JUNG	NAME CAP WIRE COVER FOR MTII/JPT SEALED 26P CAP ASS'Y	
0 PLC ±		PRODUCT SPEC	SIZE A3	
1 PLC ±		APPLICATION SPEC	CAGE CODE 00779	DRAWING NO C-1897015
2 PLC ±		WEIGHT	RESTRICTED TO -	
3 PLC ±		CUSTOMER DRAWING	SCALE 1:1	SHEET 1 OF 1
4 PLC ±			REV C	
ANGLES ±				
FINISH				
MATERIAL SEE TABLE				