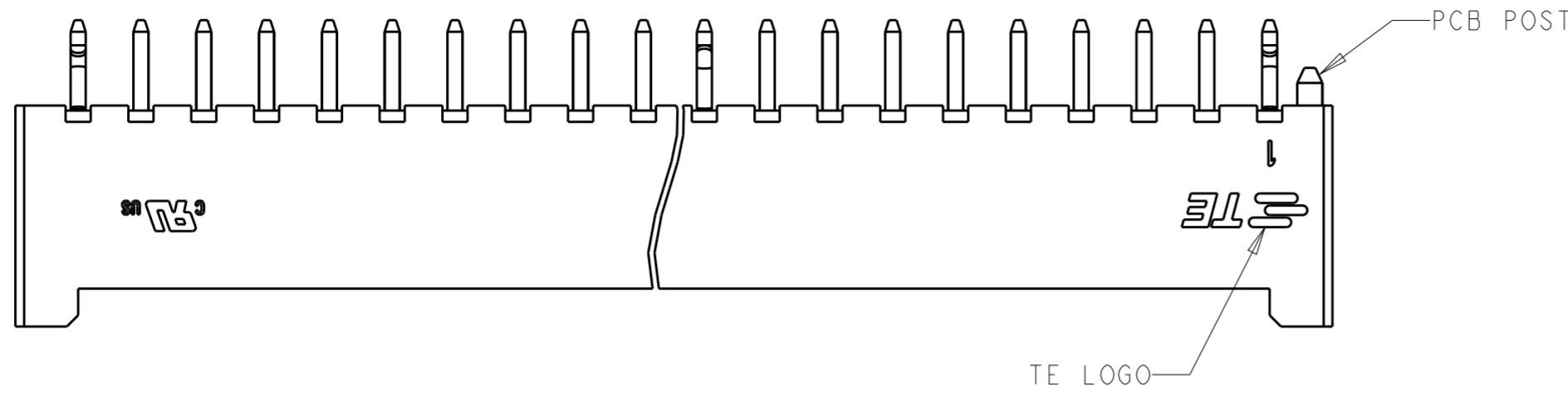
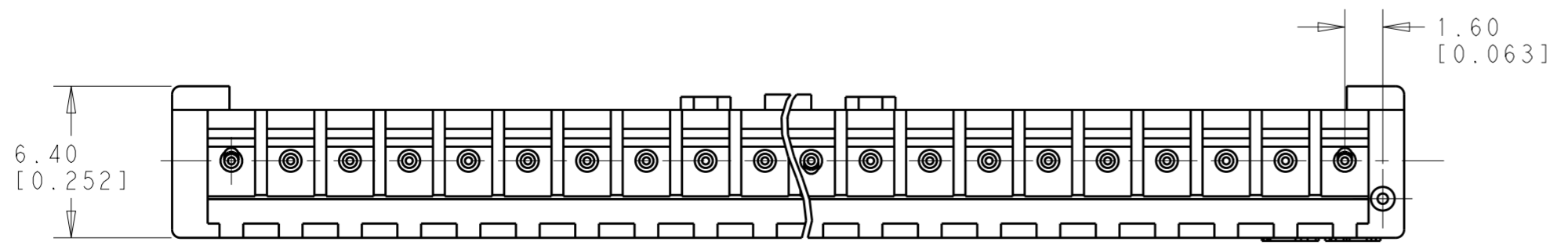
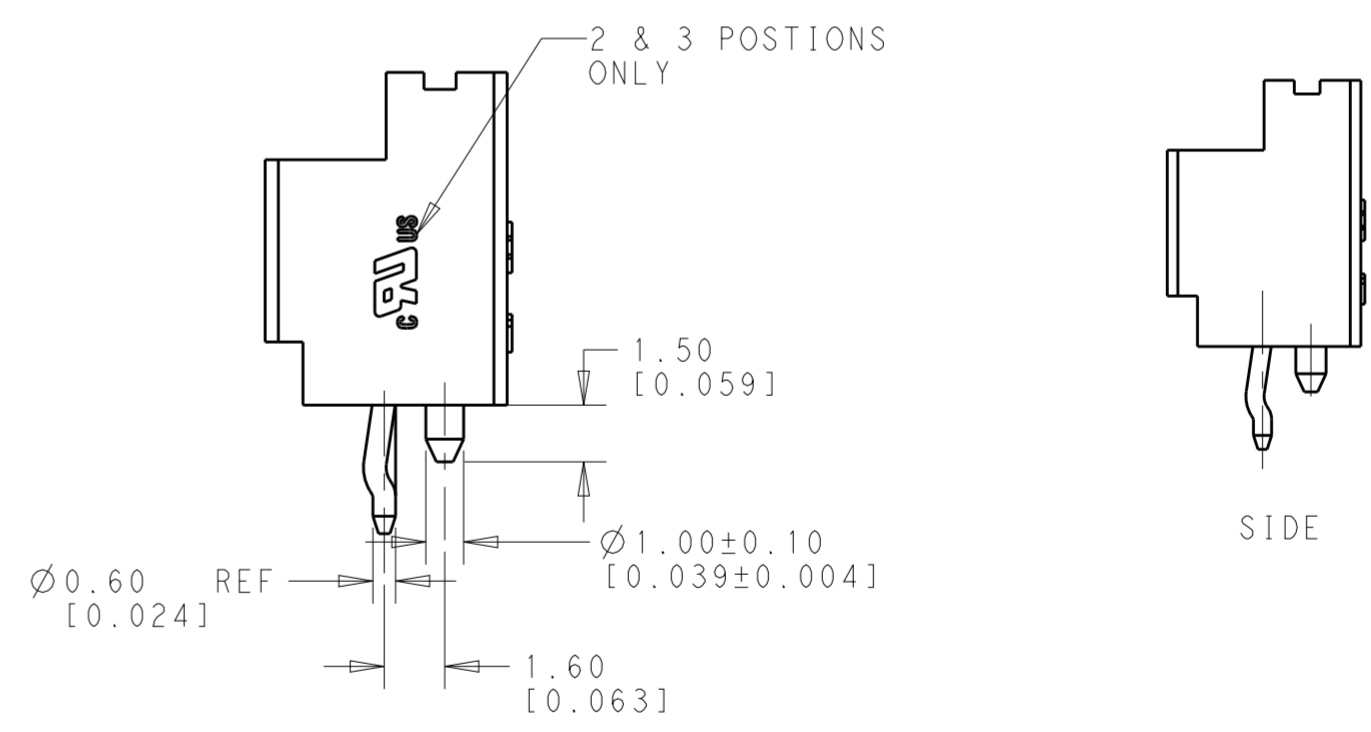
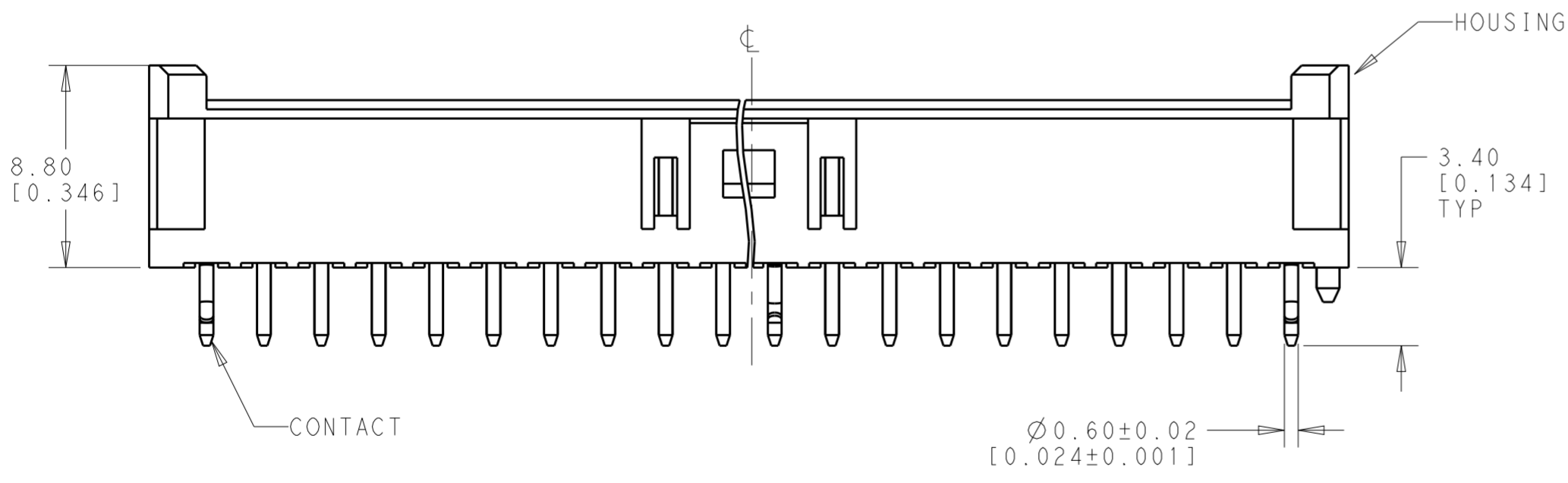
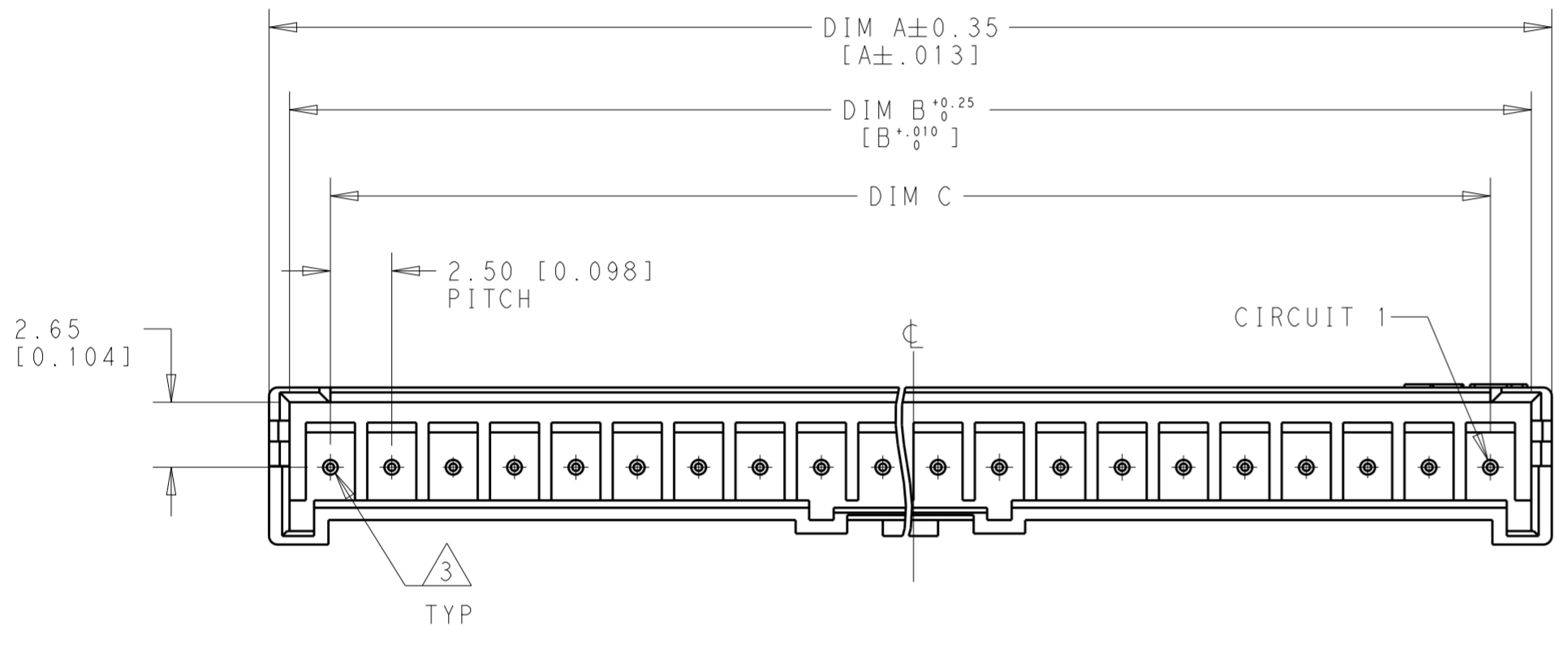


THIS DRAWING IS UNPUBLISHED. RELEASED FOR PUBLICATION  
 © COPYRIGHT copyright.d8te- ALL RIGHTS RESERVED.

| REVISIONS |     |                           |           |         |
|-----------|-----|---------------------------|-----------|---------|
| P         | LTR | DESCRIPTION               | DATE      | APVD    |
|           | E4  | REVISED PER ECR-17-013791 | 30DEC2017 | W.H D.Z |
|           |     |                           |           |         |
|           |     |                           |           |         |



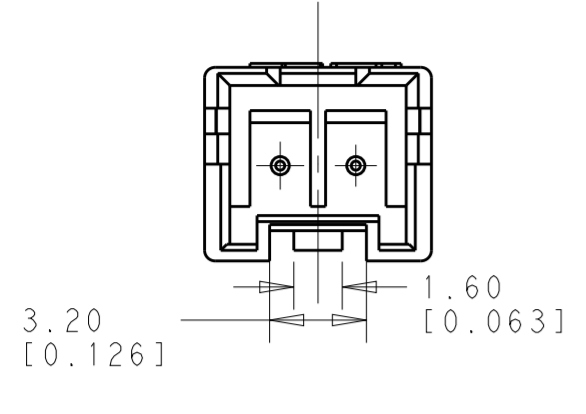
- 1 MATERIAL: HIGH PERFORMANCE RESIN, UL94-V0 COLOR: NATURAL
- 2 COMPLY WITH GLOW WIRE REQUIREMENTS FOR PARTS OF NON-METALLIC MATERIAL SUPPORTING A CURRENT-CARRYING CONNECTION DETAILED IN IEC 60335-1, SECTION 30(GWT).
- 3 PIN RETENTION: 12 NEWTONS [2.7 LBF] MIN.



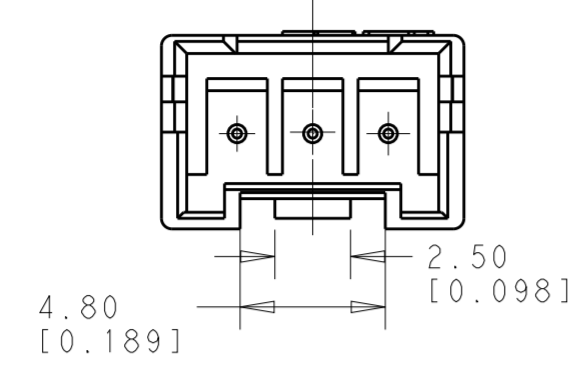
|  |  |                                      |                     |   |               |
|--|--|--------------------------------------|---------------------|---|---------------|
| THIS DRAWING IS A CONTROLLED DOCUMENT. |  | DWN 08 JUN 2016<br>NAGALAKSHMI K     | <br>TE Connectivity | NAME  |               |
| DIMENSIONS:<br>mm [INCHES]             |  | CHK 08 JUN 2016<br>CHIARELLI DAVIDE  |                     | HEADER ASSEMBLY, VERTICAL, ECONOMY POWER, 2.5mm CENTERLINE, GLOW WIRE |               |
| TOLERANCES UNLESS OTHERWISE SPECIFIED: |  | APVD 08 JUN 2016<br>CHIARELLI DAVIDE | PRODUCT SPEC        |   | RESTRICTED TO |
| 0 PLC ±0.50                            |  | 114-13315                            | APPLICATION SPEC    |   |               |
| 1 PLC ±0.30                            |  | 108-2418 3                           | WEIGHT              |   |               |
| 2 PLC ±0.20                            |  |                                      | CUSTOMER DRAWING    |   |               |
| 3 PLC ±0.10                            |  |                                      | SCALE 4:1           |   | SHEET 1 OF 2  |
| 4 PLC ±                                |  |                                      | REV E4              |   |               |
| ANGLES ±3°                             |  |                                      |                     |   |               |
| FINISH                                 |  |                                      |                     |   |               |

THIS DRAWING IS UNPUBLISHED. RELEASED FOR PUBLICATION  
 © COPYRIGHT copyright.d8te- ALL RIGHTS RESERVED.

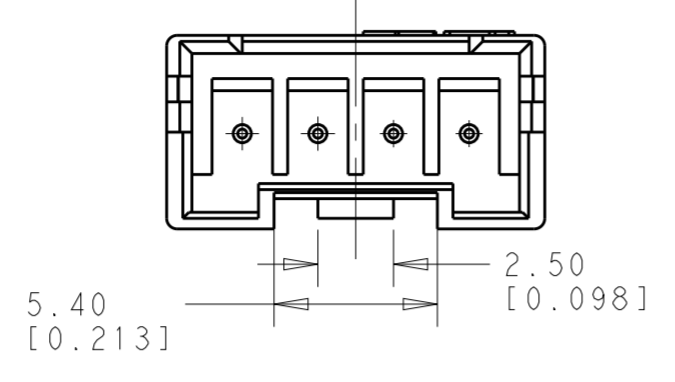
| REVISIONS |     |             |      |      |
|-----------|-----|-------------|------|------|
| P         | LTR | DESCRIPTION | DATE | APVD |
| -         | -   | SEE SHEET 1 | -    | -    |
|           |     |             |      |      |
|           |     |             |      |      |



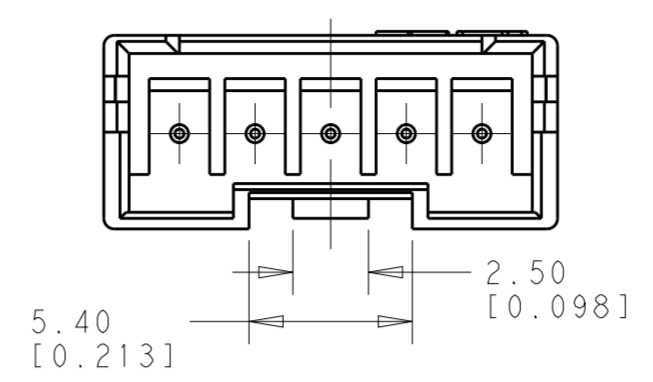
2 POSITION



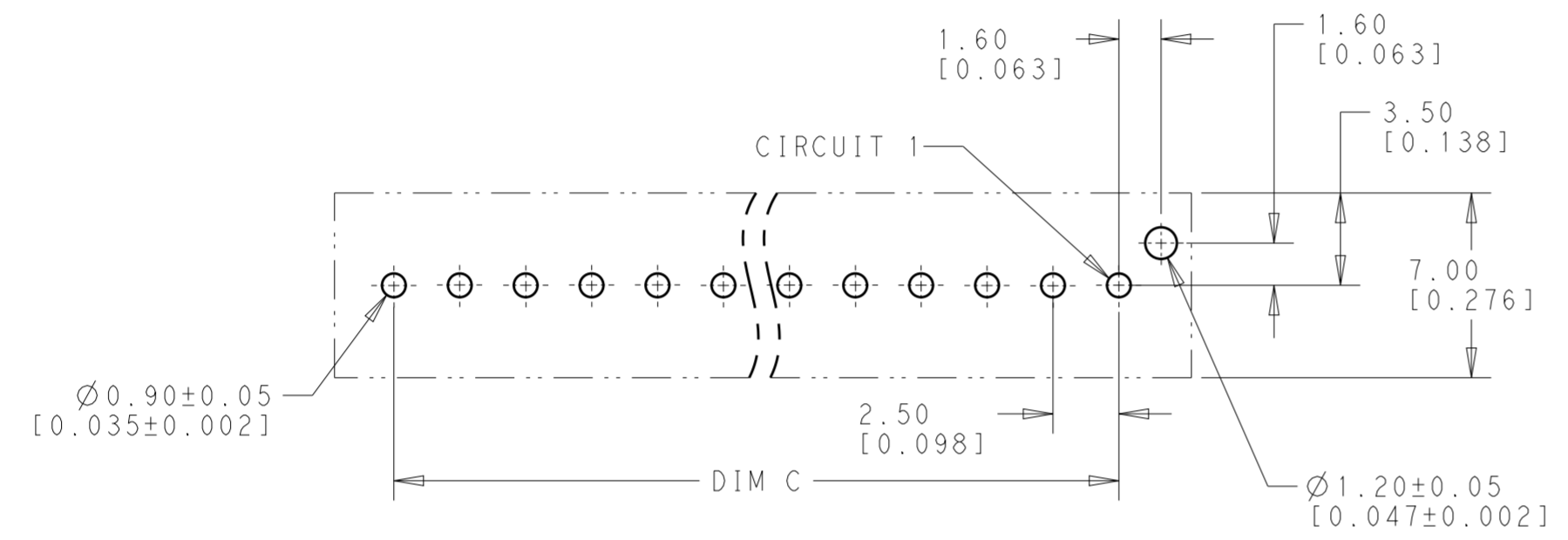
3 POSITION



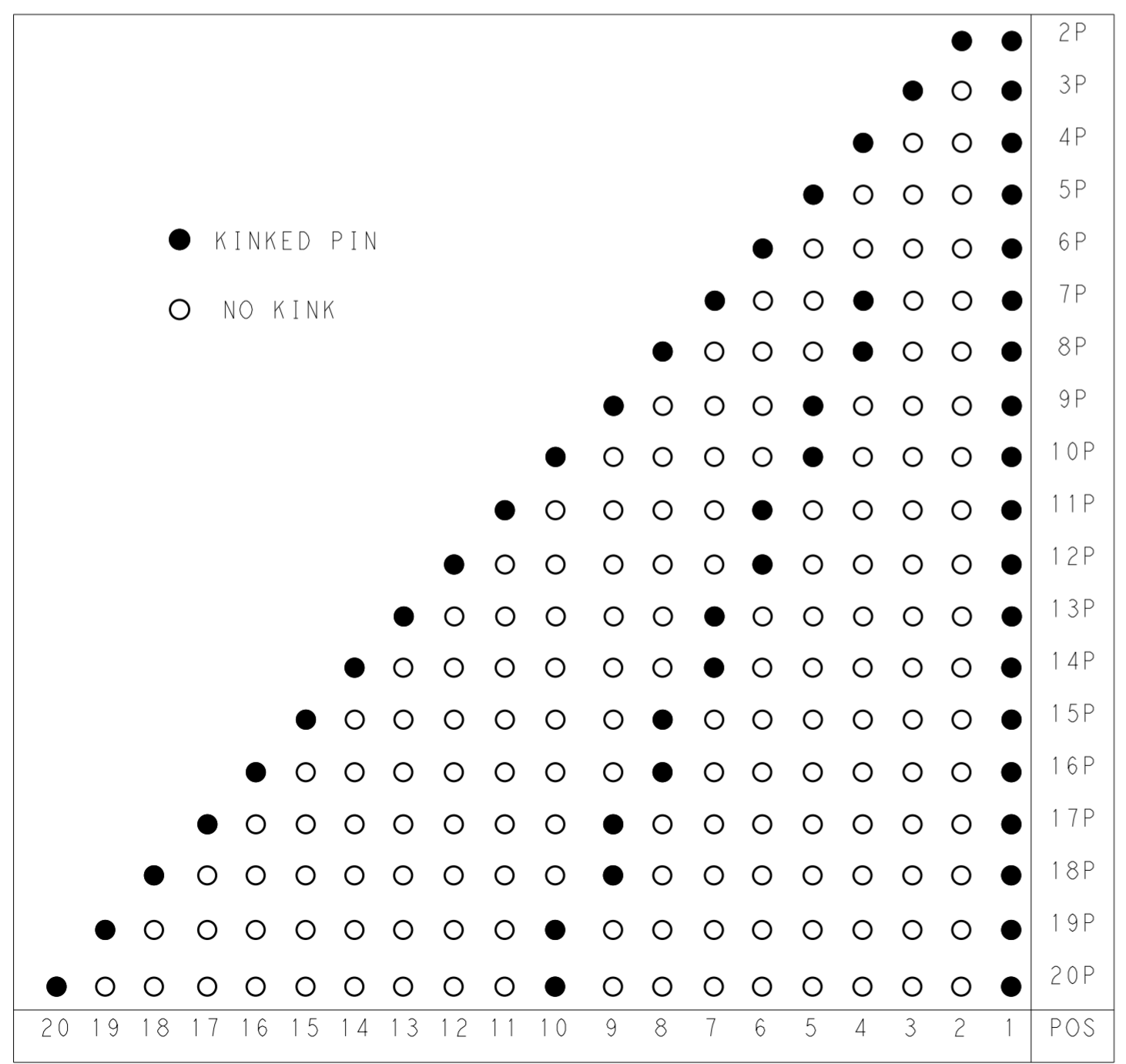
4 POSITION



5 POSITION



RECOMMENDED PCB LAYOUT



|              |              |              |    |             |
|--------------|--------------|--------------|----|-------------|
| 47.5 [1.870] | 50.83[2.001] | 52.5 [2.067] | 20 | 2-1744418-0 |
| 45.0 [1.772] | 48.33[1.903] | 50.0 [1.968] | 19 | 1-1744418-9 |
| 42.5 [1.673] | 45.83[1.804] | 47.5 [1.870] | 18 | 1-1744418-8 |
| 40.0 [1.575] | 43.33[1.706] | 45.0 [1.772] | 17 | 1-1744418-7 |
| 37.5 [1.476] | 40.83[1.607] | 42.5 [1.673] | 16 | 1-1744418-6 |
| 35.0 [1.378] | 38.33[1.510] | 40.0 [1.575] | 15 | 1-1744418-5 |
| 32.5 [1.280] | 35.83[1.411] | 37.5 [1.476] | 14 | 1-1744418-4 |
| 30.0 [1.181] | 33.33[1.312] | 35.0 [1.378] | 13 | 1-1744418-3 |
| 27.5 [1.083] | 30.83[1.214] | 32.5 [1.280] | 12 | 1-1744418-2 |
| 25.0 [.984]  | 28.33[1.115] | 30.0 [1.181] | 11 | 1-1744418-1 |
| 22.5 [.886]  | 25.83[1.016] | 27.5 [1.083] | 10 | 1-1744418-0 |
| 20.0 [.787]  | 23.33[.919]  | 25.0 [.984]  | 9  | 1744418-9   |
| 17.5 [.689]  | 20.83[.820]  | 22.5 [.886]  | 8  | 1744418-8   |
| 15.0 [.591]  | 18.33[.722]  | 20.0 [.787]  | 7  | 1744418-7   |
| 12.5 [.492]  | 15.83[.623]  | 17.5 [.689]  | 6  | 1744418-6   |
| 10.0 [.395]  | 13.33[.525]  | 15.0 [.591]  | 5  | 1744418-5   |
| 7.5 [.295]   | 10.83[.426]  | 12.5 [.492]  | 4  | 1744418-4   |
| 5.0 [.197]   | 8.33[.328]   | 10.0 [.395]  | 3  | 1744418-3   |
| 2.5 [.098]   | 5.83[.229]   | 7.5 [.295]   | 2  | 1744418-2   |
| DIM C        |              | DIM B        |    | DIM A       |
| POS          |              | PART NO      |    |             |

THIS DRAWING IS A CONTROLLED DOCUMENT.

DWN: NAGALAKSHMI K  
 CHK: CHIARELLI DAVIDE  
 APVD: CHIARELLI DAVIDE

TE Connectivity

NAME: HEADER ASSEMBLY, VERTICAL, ECONOMY POWER, 2.5mm CENTERLINE, GLOW WIRE

PRODUCT SPEC: 108-2418 3

APPLICATION SPEC: 114-13315

MATERIAL: -

WEIGHT: -

SCALE: 4:1

SHEET: 2 OF 2

REV: E4