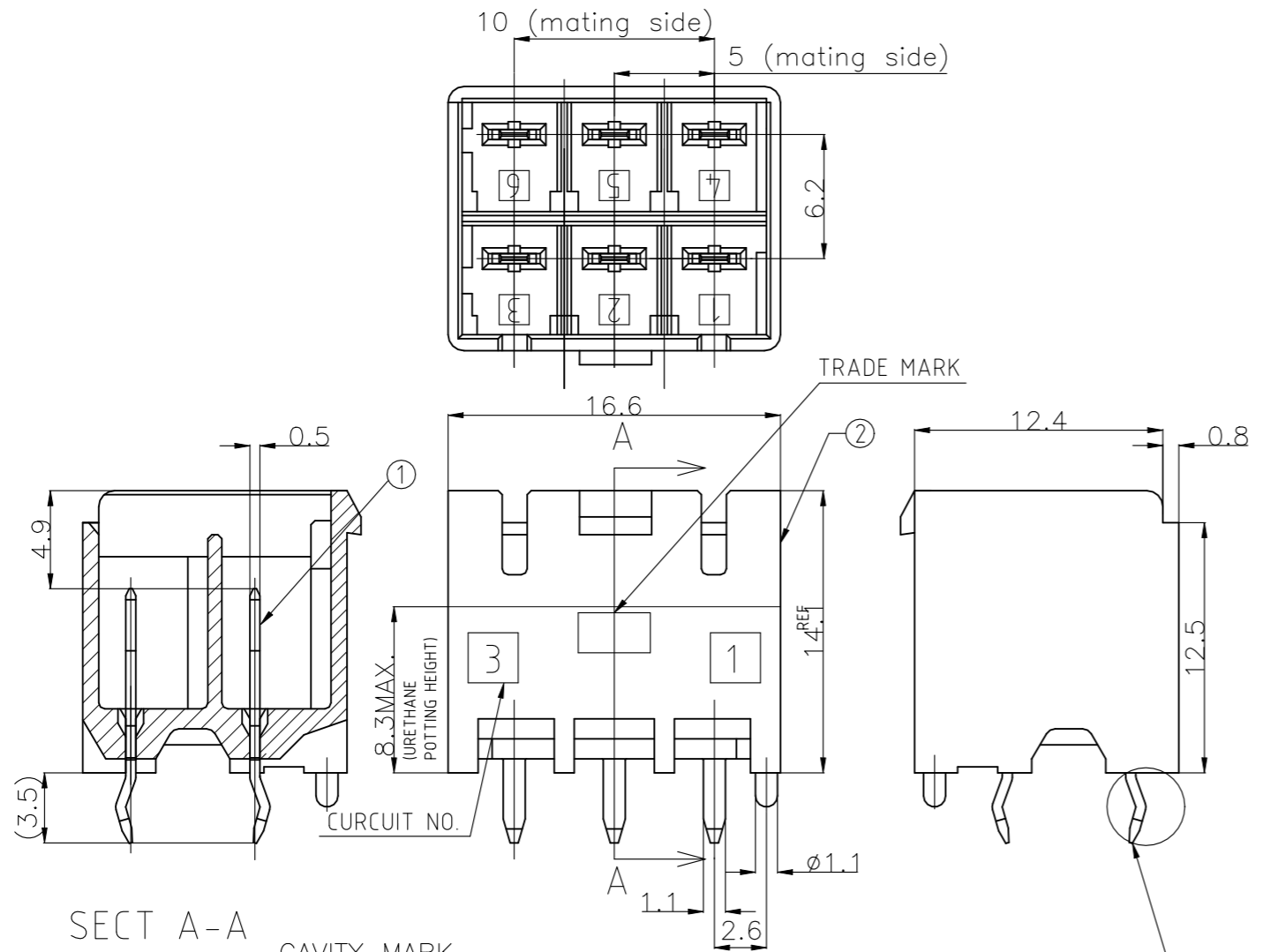
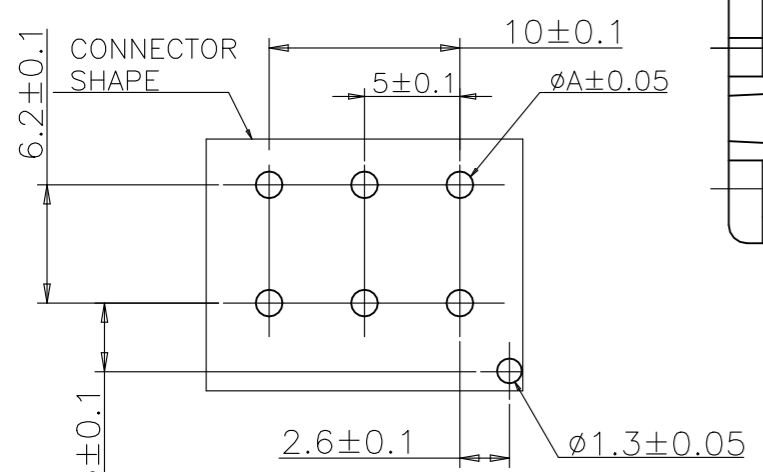
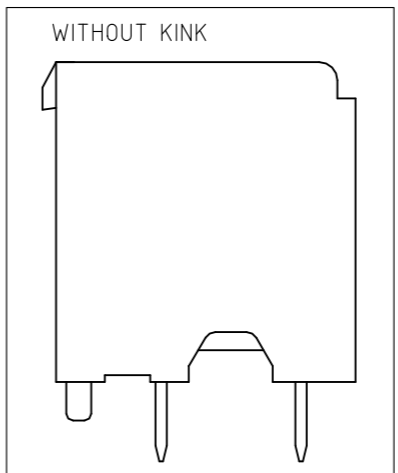
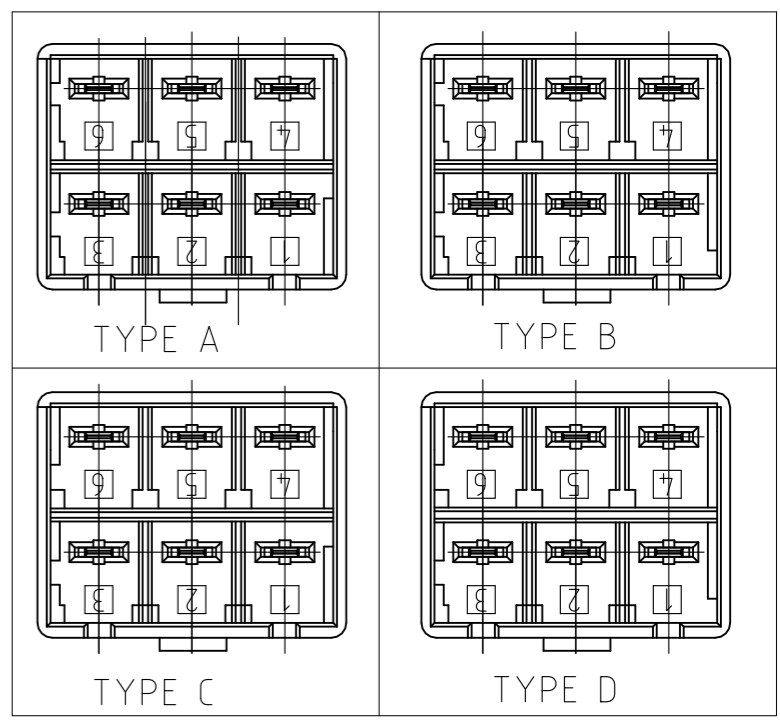


THIS DRAWING IS UNPUBLISHED. RELEASED FOR PUBLICATION  
 © COPYRIGHT - By - ALL RIGHTS RESERVED.

REVISIONS				
P	LTR	DESCRIPTION	DATE	APVD
F2		REVISED PER ECR-21-101026	23MAR2021	SK DZ



THE TYPE OF KEYING



	DIM A
PUNCHING	1.25
DRILLING	1.4

RECOMMEDED PCB HOLES

- ① RECOMMENDED P.C.B LAY OUT.
- ② APPLICABLE P.C.B. THICKNESS:1.6.
- ③ MATING CONN. P/N
- ④ PLUG HOUSING :SEE TABLE.
- ④ PARTS MEET IEC 60335-1 (GWT GLOW WIRE TEST 750 DEGREE SPEC).
- ⑤ NYLON 66, GWT, V-0.

NO.	NAME	MATERIAL
②	HEADER HOUSING	6 / 6 NYLON GRASS FILLED
①	TAB	COPPER ALLOY TIN PLATED

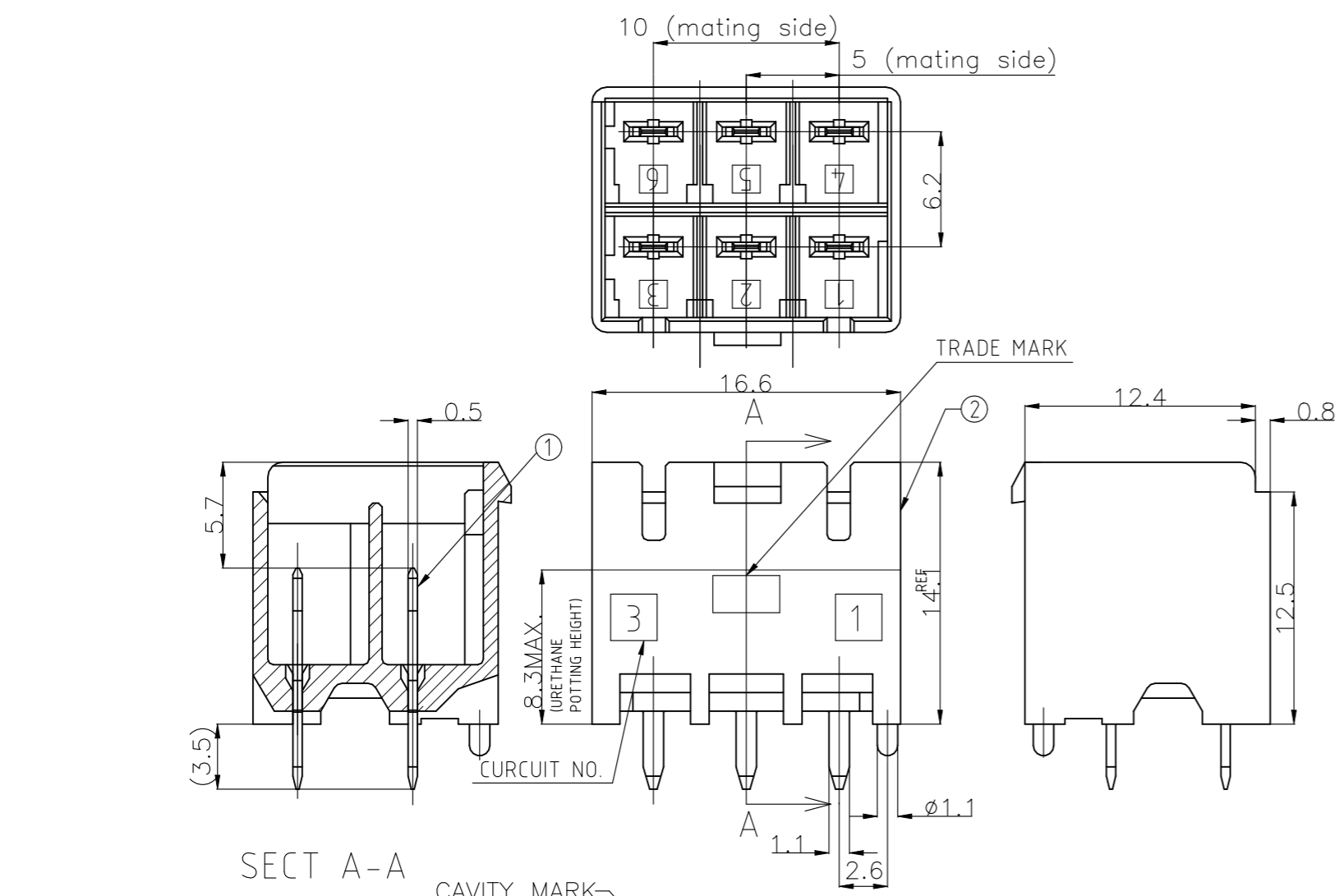
△5	MATING CONN. P/N	WITH/WITHOUT KINK	TYPE OF KEYING	Color	Pos	PART NO.
△5	3-1376393-4	WITHOUT KINK	TYPE D	YELLOW	6Pos	8-1376387-4
△5	2-1376393-3	WITHOUT KINK	TYPE C	BLUE	6Pos	7-1376387-3
△5	1-1376393-2	WITHOUT KINK	TYPE B	RED	6Pos	6-1376387-2
△5	1376393-1	WITHOUT KINK	TYPE A	NATURAL	6Pos	5-1376387-1
△5	3-1376393-4	WITH KINK	TYPE D	YELLOW	6Pos	3-1376387-4
△5	2-1376393-3	WITH KINK	TYPE C	BLUE	6Pos	2-1376387-3
△5	1-1376393-2	WITH KINK	TYPE B	RED	6Pos	1-1376387-2
△5	1376393-1	WITH KINK	TYPE A	NATURAL	6Pos	1376387-1

THIS DRAWING IS A CONTROLLED DOCUMENT.

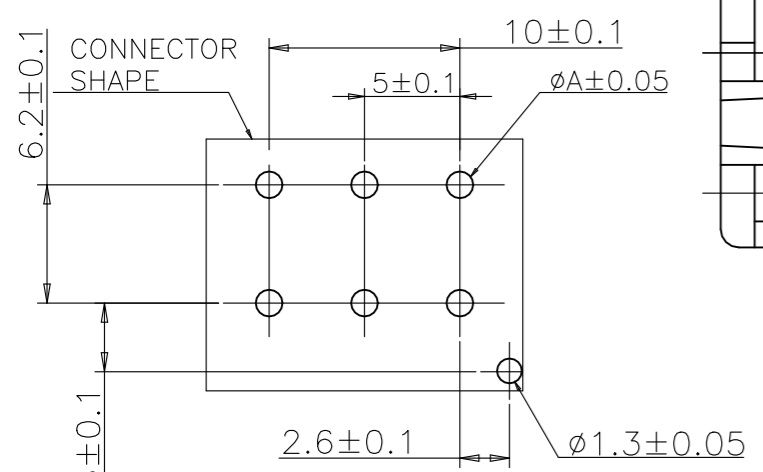
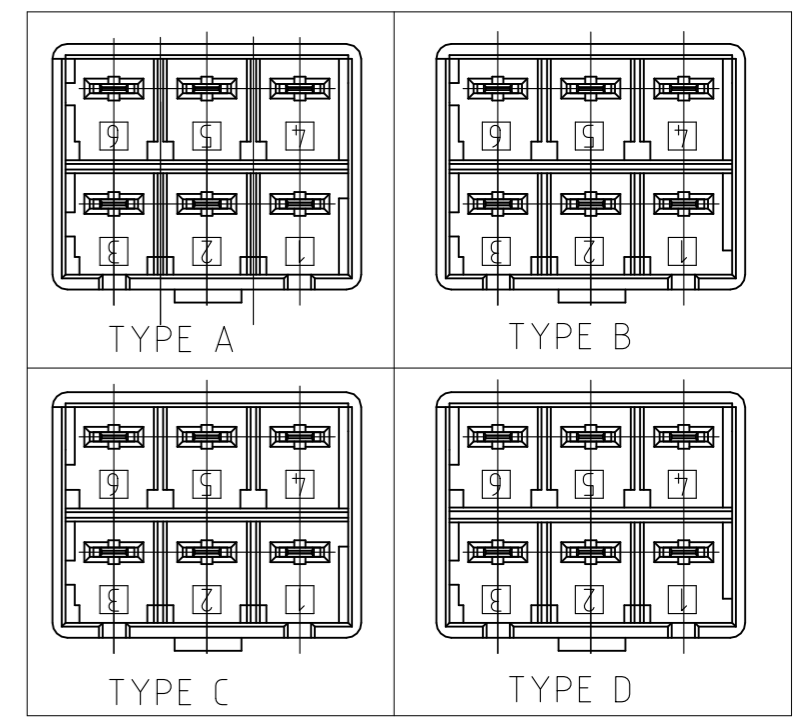
DWN A.OISHI 20MAR2003	 TE Connectivity 5.0 POWER KEY CONNECTOR 6P HEADER ASSEMBLY (2ROW)			
CHK Y.KASHIWA 28AUG'00				
APVD Y.KASHIWA 28AUG'00				
PRODUCT SPEC 108-5699				
APPLICATION SPEC 114-5292	NAME			
WEIGHT	SIZE A3	CAGE CODE 00779	DRAWING NO C-1376387	RESTRICTED TO
MATERIAL SEE TABLE	FINISH SEE TABLE	CUSTOMER DRAWING		SCALE 3:1
		SHEET 1 OF 2		REV F2

THIS DRAWING IS UNPUBLISHED. RELEASED FOR PUBLICATION  
 © COPYRIGHT - By - ALL RIGHTS RESERVED.

REVISIONS					
P	LTR	DESCRIPTION	DATE	DWN	APVD
-	-	SEE SHEET 1	-	-	-



THE TYPE OF KEYING



PUNCHING	1.25
DRILLING	1.4
	DIM A

- 1 RECOMMENDED P.C.B LAY OUT.
- 2 APPLICABLE P.C.B. THICKNESS:1.6.
- 3 MATING CONN. P/N PLUG HOUSING :SEE TABLE.

②	HEADER HOUSING	6/6 NYLON W/O GF
①	TAB	COPPER ALLOY TIN PLATED
NO.	NAME	MATERIAL

3-1376393-5	WITHOUT KINK	TYPE D	YELLOW	6Pos	3-1376387-5
2-1376393-4	WITHOUT KINK	TYPE C	BLUE	6Pos	2-1376387-4
1-1376393-3	WITHOUT KINK	TYPE B	RED	6Pos	1-1376387-3
1376393-2	WITHOUT KINK	TYPE A	NATURAL	6Pos	1376387-2
MATING CONN. P/N	WITH/WITHOUT KINK	TYPE OF KEYING	Color	Pos	PART NO.

THIS DRAWING IS A CONTROLLED DOCUMENT.

DWN	A.OISHI	20MAR2003	<b>STE</b> TE Connectivity
CHK	Y.KASHIWA	28AUG'00	
APVD	Y.KASHIWA	28AUG'00	
PRODUCT SPEC	NAME		
APPLICATION SPEC			5.0 POWER KEY CONNECTOR 6P HEADER ASSEMBLY (2ROW)
WEIGHT			RESTRICTED TO
CUSTOMER DRAWING			SCALE 3:1 SHEET 2 OF 2 REV F2