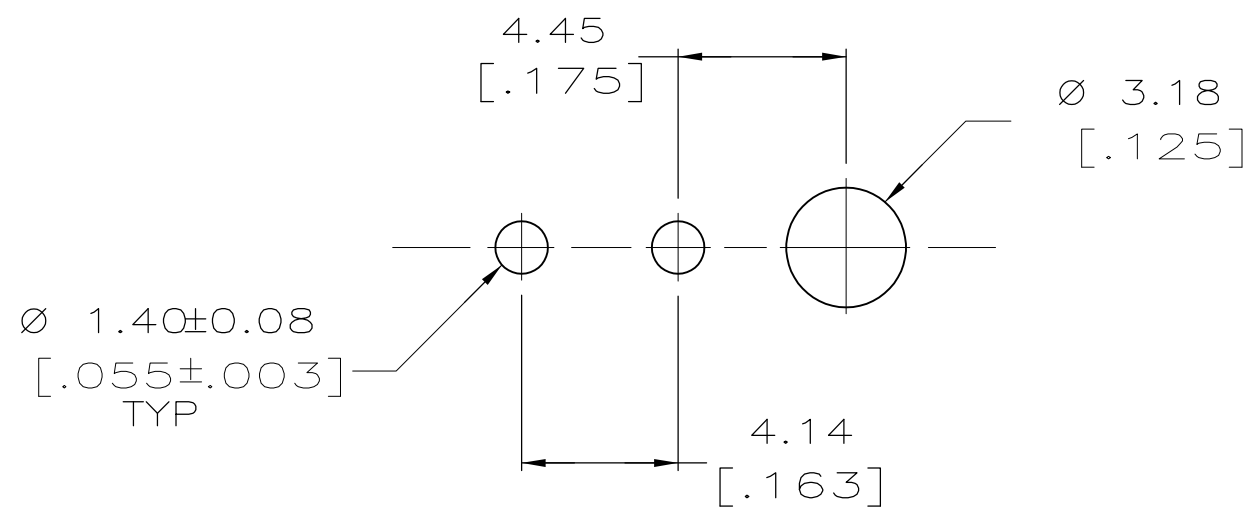
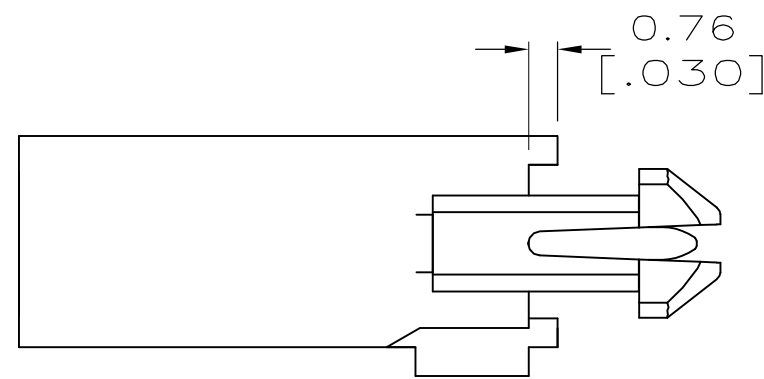
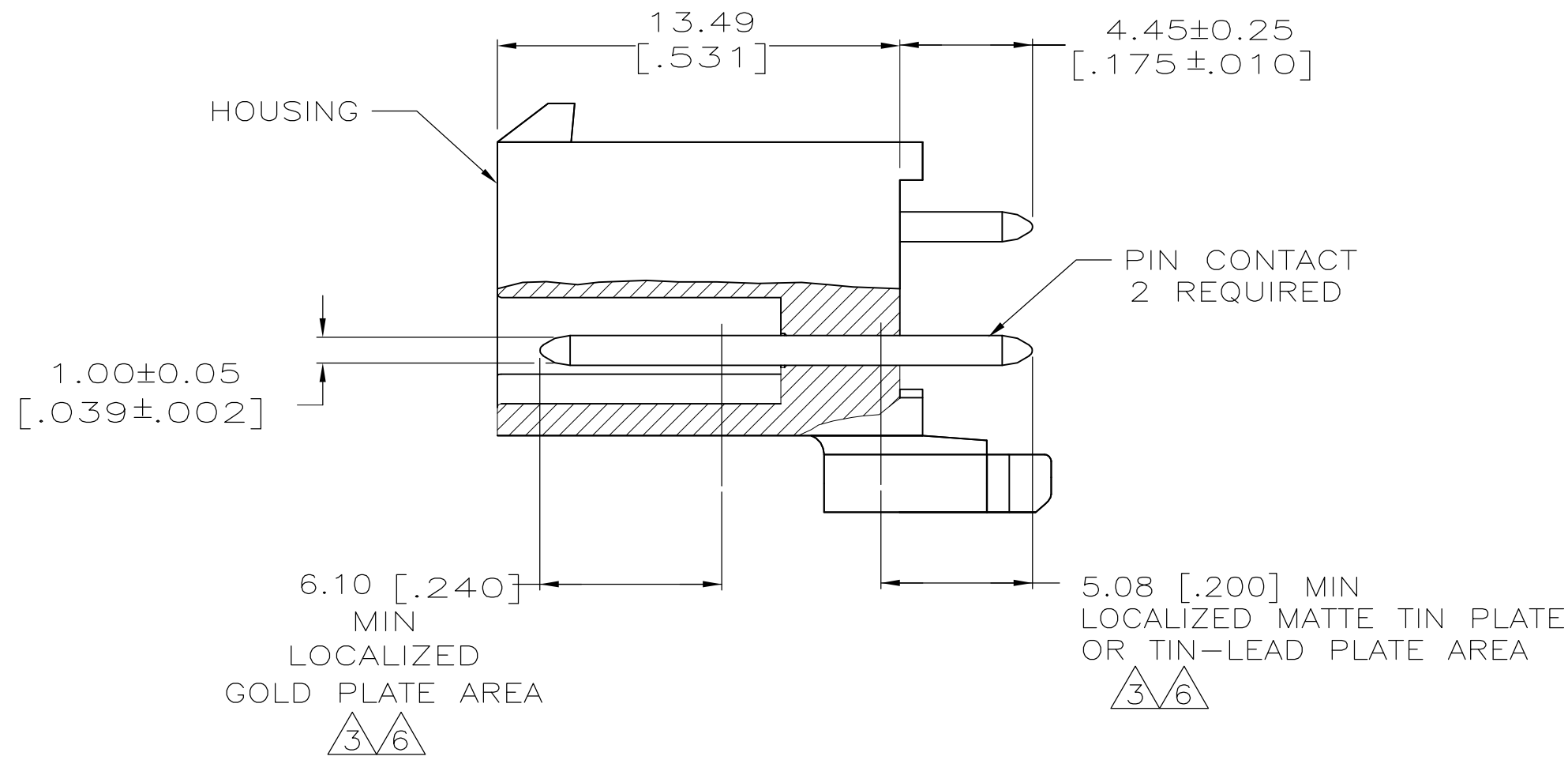
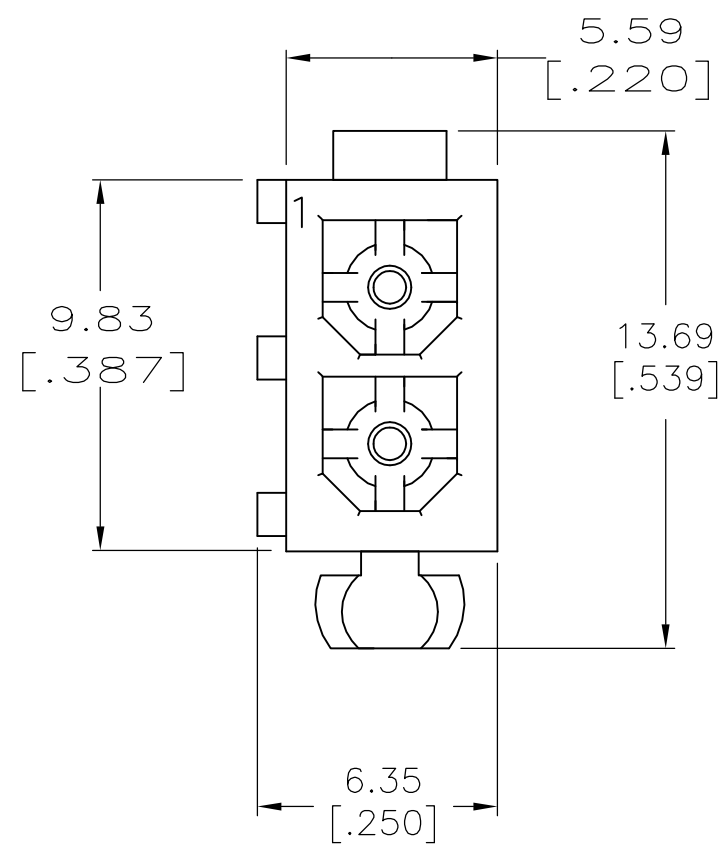


THIS DRAWING IS UNPUBLISHED. RELEASED FOR PUBLICATION  
 © COPYRIGHT - By - ALL RIGHTS RESERVED.

LOC	DIST	REVISIONS					
		P	LTR	DATE	DWN	APVD	
CM	0	J		REVISED PER ECR-15-010337	23JUL2015	RK	SC



RECOMMENDED LAYOUT FOR 1.57 [.062] THICK BOARD  
 TOLERANCES NON-ACCUMULATIVE

- PINS TO COMPLY WITH AMP SOLDERABILITY SPEC. 109-11-3.
- DIMENSIONS SHOWN IN BRACKETS ARE IN INCHES.
- 0.00076 [.000030] MIN GOLD PLATE IN THE LOCALIZED GOLD PLATE AREA, 0.00381 [.000150] MATTE TIN LEAD IN THE LOCALIZED TIN LEAD PLATE AREA, BOTH OVER 0.00127 [.000050] MIN NICKEL.
- 0.00381 [.000150] MATTE TIN LEAD OVER 0.00127 [.000050] MIN NICKEL ENTIRE LENGTH OF PIN.
- 0.00381 [.000150] MATTE TIN OVER 0.00127 [.000050] MIN NICKEL ENTIRE LENGTH OF PIN.
- 0.00076 [.000030] MIN GOLD PLATE IN THE LOCALIZED GOLD PLATE AREA, 0.00381 [.000150] MATTE TIN LEAD IN THE LOCALIZED TIN LEAD PLATE AREA, BOTH OVER 0.00127 [.000050] MIN NICKEL.

BRASS	6	NYLON, UL94V-0	WHITE	1-770872-1
BRASS	5	NYLON, UL94V-0	WHITE	1-770872-0
BRASS	3	NYLON, UL94V-0	WHITE	770872-2
BRASS	4	NYLON, UL94V-0	WHITE	770872-1
MATERIAL	FINISH	MATERIAL	COLOR	PART NO.
PIN		HOUSING		

DIMENSIONS:		TOLERANCES UNLESS OTHERWISE SPECIFIED:		MATERIAL		FINISH		WEIGHT		CUSTOMER DRAWING	
mm		0 PLC	± -								
		1 PLC	± -								
		2 PLC	± 0.13								
		3 PLC	± -								
		4 PLC	± -								
		ANGLES	± -								

THIS DRAWING IS A CONTROLLED DOCUMENT.		DWN	S CARPENTER	08JUN05	TE Connectivity					
CHK	R JONES	28JUL2003								
APVD	R JONES	28JUL2003								
PRODUCT SPEC										
APPLICATION SPEC										
WEIGHT	-	SIZE	A2	CAGE CODE	00779	DRAWING NO	C=770872	RESTRICTED TO	-	
SCALE		5:1		SHEET		1 of 1		REV		J