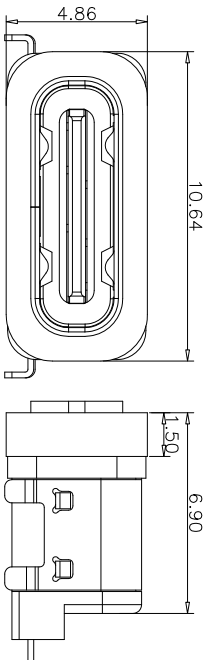
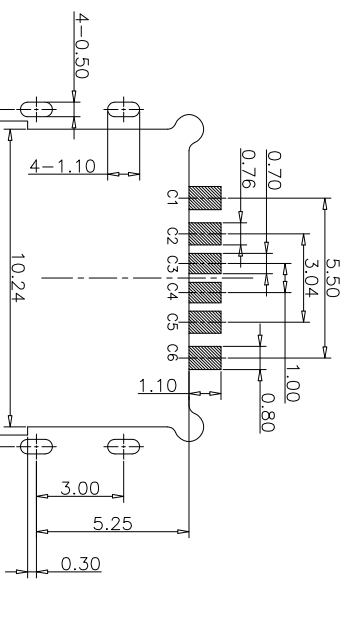
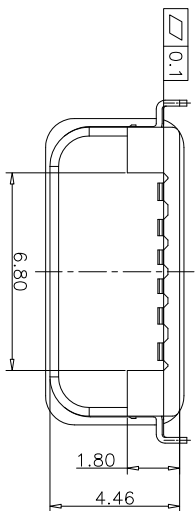
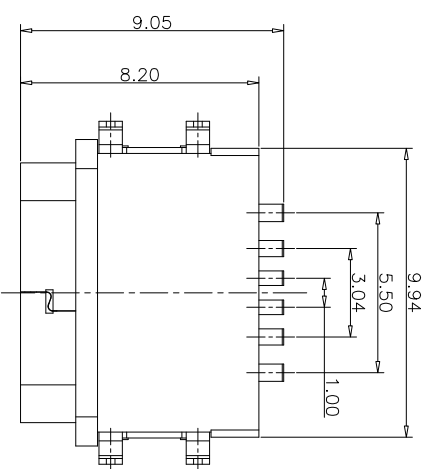
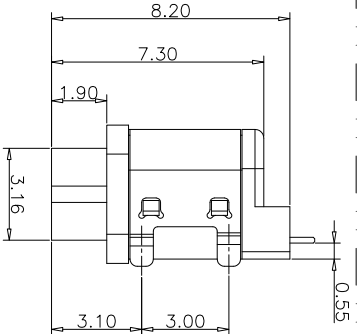
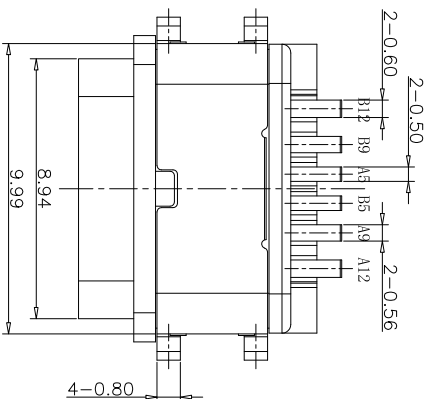


专利产品



加防水圈示意图

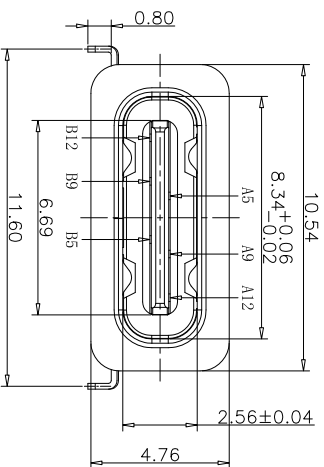


RECOMMEND P.C.B LAYOUT (COMPONENT SIDE)
TOLERANCE FOR PCB LAYOUT IS ± 0.05

NOTES:
SPECIFICATION:
1. CURRENT RATING: 3.0A MAX
2. VOLTAGE: 100 VAC
3. TEMPERATURE RANGE: -30°C ~ $+85^{\circ}\text{C}$
4. CONTACT RESISTANCE: 40 MILLIONHM MAX
5. INSULATION RESISTANCE: 100 MEGOHMS MIN
6. INSERTION FORCE: 5N~20N
7. UNMATING FORCE: 8N~20N
8. DURABILITY: 10000 CYCLES
9. WATER PROOFNESS: THIS PRODUCT IS BASED ON IPX7.

TABLE:

NO	PART	QTY	Material
1	SHELL	1	STAINLESS STEEL, NI PLATED
2	CONTACT	6	COPPER STEEL, TIN/AU/NI PLATED
3	MID PLATE	1	STAINLESS STEEL, NO PLATING
4	1MD HOUSING	1	HIGH TEMPERATURE RESISTANT PLASTIC BLACK UL94 V-0
5	2MD HOUSING	1	HIGH TEMPERATURE RESISTANT PLASTIC BLACK UL94 V-0
6	SHIELDING PLATE	1	STAINLESS STEEL, NI PLATED



PIN ASSIGNMENT:

PIN NO	A1&B12	A4&B9	A5	B5	A9&B4	A12&B1
SIGNAL NAME	GND	VBUS	CC1	CC2	VBUS	GND
PCB PAD NO.	C1	C2	C3	C4	C5	C6



深圳市展鸿精密有限公司
SHENZHEN Zhanhong Precision CO., LTD.

品名 (ITEM NO)	TYPE C 6P 沉板防水母座A款 (外壳4脚插板, 端子SMT)	页码 (SHEET)	1/1	单位 (UNIT):	MM
料号 (PART NO)	ATCF-06-XXXX	版本 (REV)	A0	比例 (SCALE)	1:1
图号 (DWG NO)	TCF-039	日期 (DATE)	2019.11.13	设计 (DESIGN)	Lee
		审核 (CHECKED)	L S W	核准 (APPROVED)	C J L

未注公差
TOLERANCE UNSPECIFIED

X.X	± 0.20
X.XX	± 0.15
X.XXX	± 0.10
X.X°	$\pm 5^{\circ}$

These drawings and specifications are Shenzhen Aliante Electronics Co Ltd. The property should not be copied. Without Shenzhen Aliante Electronics Co. Ltd. Prior written consent to copy or use in any way