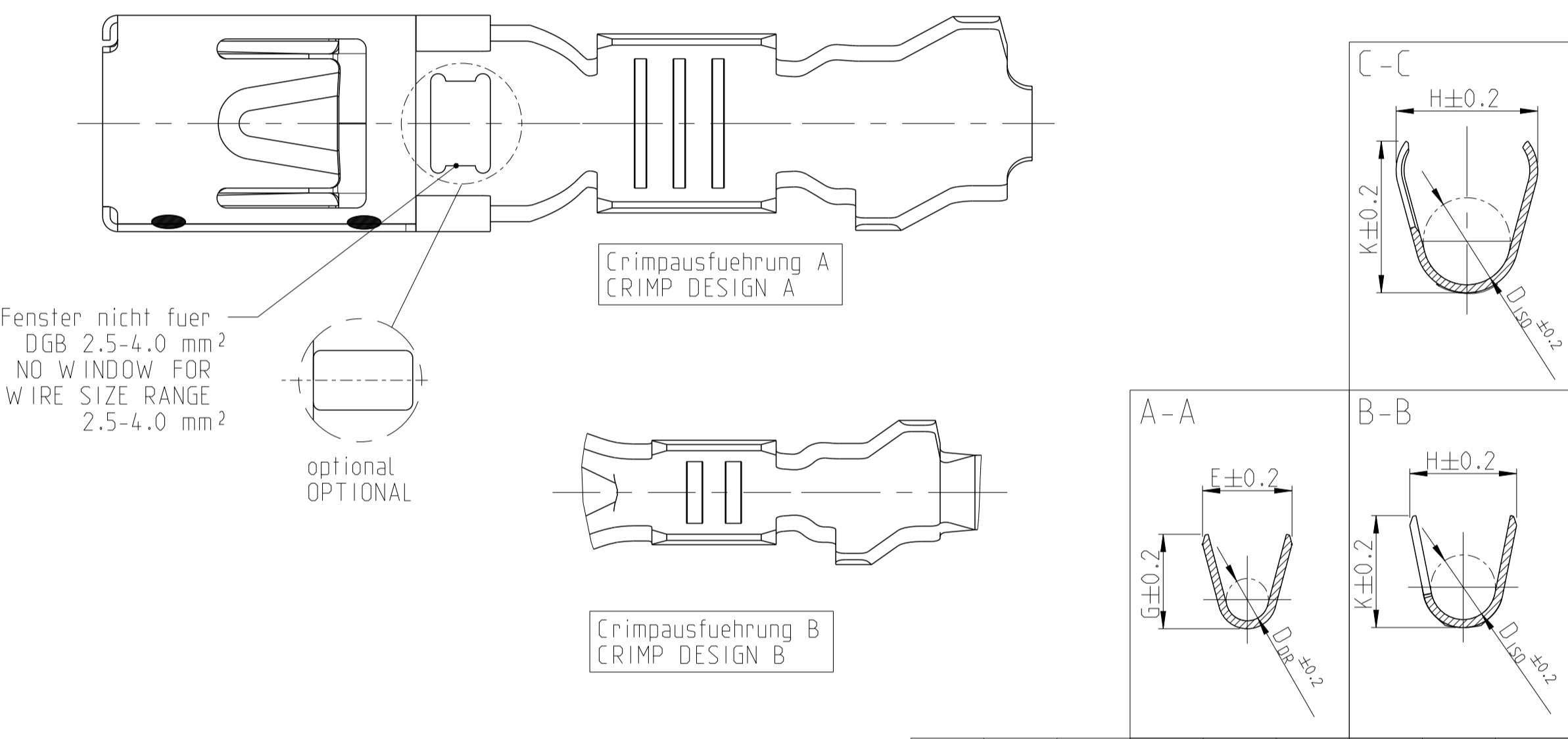
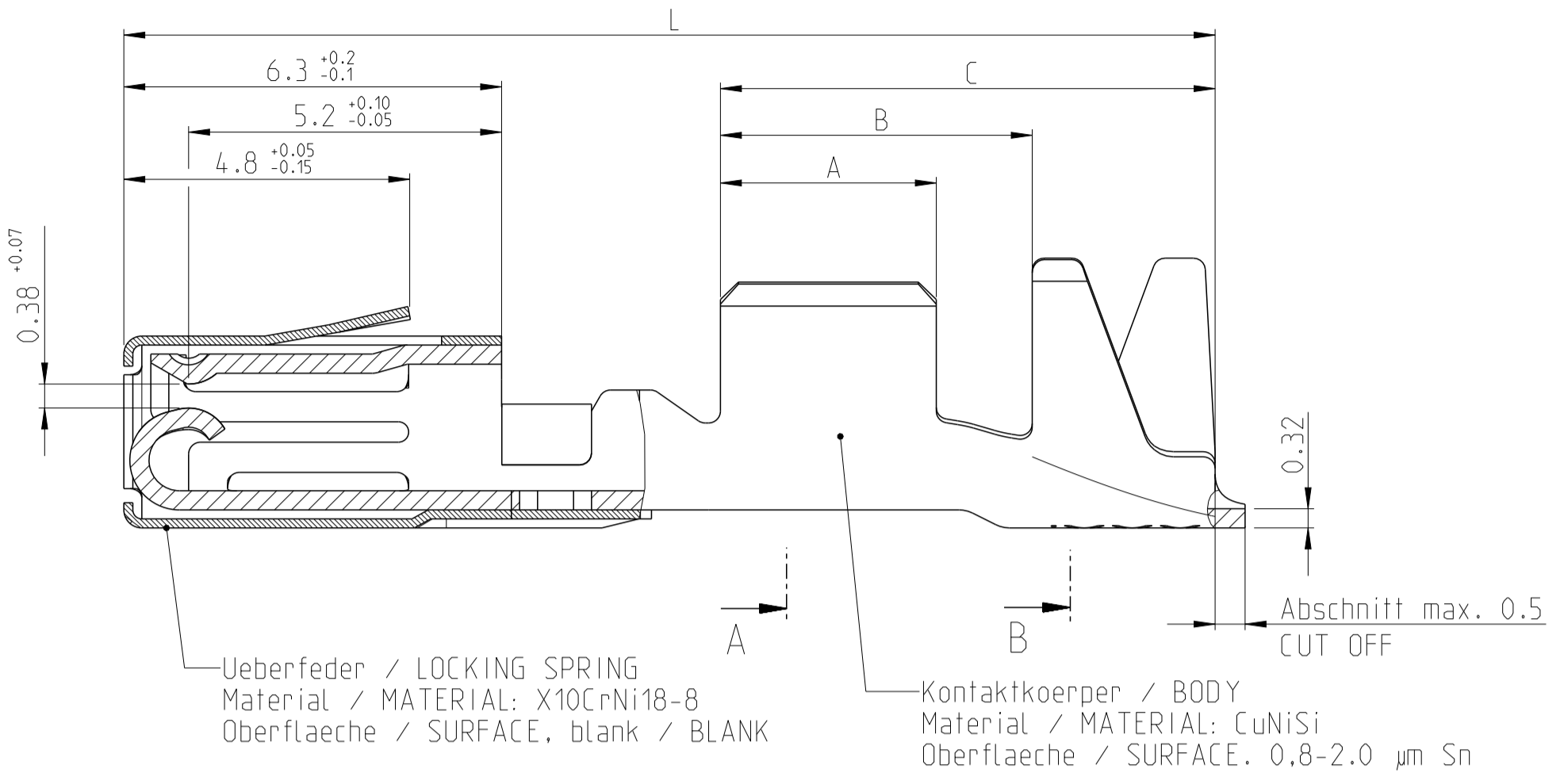


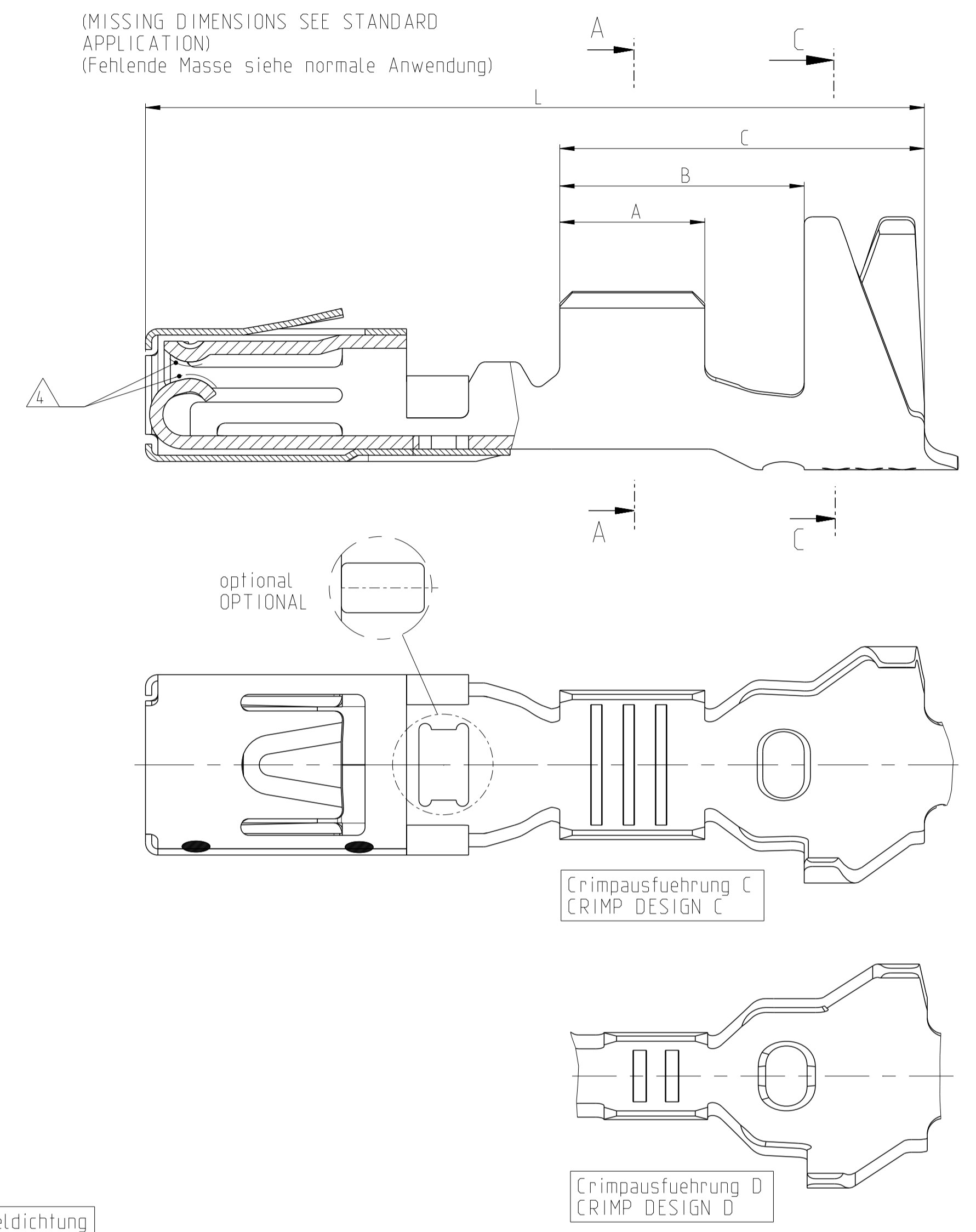
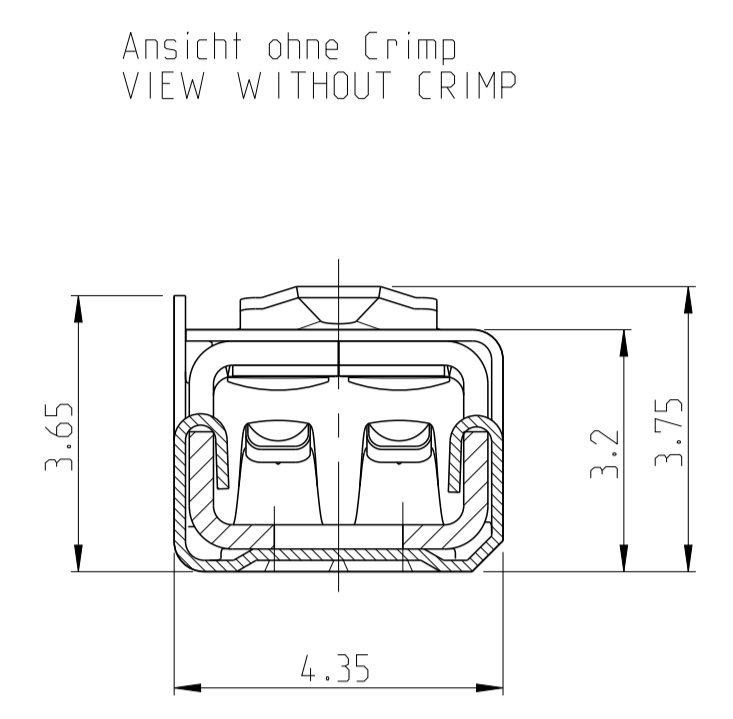
REVISIONS				
P.	LTN	DESCRIPTION	DATE	DMN APVD
B9		CRIMP DESIGN TYPE column in table added	08NOV2017	MAH. SCHI
B10		MATERIAL OF LOCKING SPRING CORRECTED	09OCT2019	BREN SCHI
B11		E-20-000779	15JAN2020	FRAN SCHI
B12		Updated general tolerance	22MAY2020	FRAN SCHI

Normale Anwendung  
STANDARD APPLICATION



Einzeldichtungssystem  
SINGLE WIRE SEAL SYSTEM

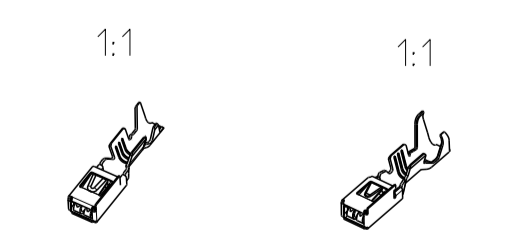
(MISSING DIMENSIONS SEE STANDARD APPLICATION)  
(Fehlende Masse siehe normale Anwendung)



SUPERSEDED BY					REV.	NOTE	Sn	VERSION	Drahtgroessenbereich WIRE SIZE RANGE [mm²]	Crimplängen CRIMP LENGTHS [mm]	Drahtcrimp WIRE CRIMP [mm]	Isolationscrimp INSULATION CRIMP [mm]	Kontaktlänge CONTACT LENGTH [mm]	Gramm GRAM	Gewicht WEIGHT	Verarbeitung APPLICATION	Crimpausführung CRIMP DESIGN	Bestell-Nr. ORDER NO. TAB NR: 116-18005-600	Farbe COLOUR	zugehörige Einzeldichtung SUITABLE SINGLE WIRE SEAL	
968075-5	968120-5	D	4	-																A	B
	968120-2	D	-	X				> 1.0-2.5	3.5	5.9	8.8	3.6	3.8	1.7	5.7	6.1	3.5			967609-1	gelb/YELLOW
	968119-4	D	6	-				> 0.5-1.0	3.0	5.4	8.3	2.5	2.7	1.2	5.5	5.9	3.3	18.8		967610-1	grau/GREY
	968119-5	D	4	-																	
	968119-4	D	5	-																	
	968119-2	D	-	X				0.35-0.5	2.5	4.9	7.8	2.1	2.1	0.8	5.4	5.7	3.2				
	968680-5	B	4	-																	
	968680-2	B	-	X																	
	1355950-5	-	4	-				> 2.5-4.0	4.0	5.9	9.3	4.5	4.7	2.3	5.4	5.6	3.2	19.6			
	1355950-4	A	6	-																	
	1355950-3	B	8	-																	
	1355950-2	B	-	X																	
	968075-5	D	4	-				> 1.0-2.5	3.5	5.2	8.25	3.6	3.8	1.7	4.3	4.5	2.6				
	968075-4	A	6	-																	
	968075-3	B	8	-																	
	968075-2	D	-	X																	
	968074-5	D	4	-				> 0.5-1.0	3.0	4.6	7.0	2.5	2.7	1.2	3.2	3.4	1.8	18.2			
	968074-2	D	-	X																	
	968678-5	B	4	-				0.35-0.5	2.5	3.7	5.8	2.1	2.1	0.8	2.9	2.9	1.4				
	968678-2	B	-	X																	

NOTES  
Bemerkungen

- SUITABLE FOR PIN CONTACT SEE DRAWING:  
Passend zu Stiftkontakt:  
TE: 1355933
  - FOR FLR-CONDUCTOR ACCORDING TO DIN 72551, PART 6 ONLY  
Nur fuer FLR-Leitungen nach DIN 72551, Teil 6
  - DETAILS OF DESIGN ARE LEFT TO MANUFACTURER  
Einzelheiten der Ausfuehrung bleiben dem Hersteller ueberlassen
- 4 MIN. 0.8 μm Au OVER MIN. 1.2 μm Ni  
 Min. 0.8 μm Au ueber min. 1.2 μm Ni  
 5 2-4 μm ELECTROPLATED SILVER  
 2-4 μm galvanisch Silber  
 6 MIN. 0.8 μm PdNi OVER MIN. 1.2 μm Ni  
 Min. 0.8 μm PdNi ueber min. 1.2 μm Ni  
 7 FOR INSPECTION PURPOSES ONLY  
 Nur fuer Pruefzwecke  
 8 MIN. 2.8-5.0 μm Ag OVER MIN. 0.2-1.0 μm Ni  
 Min. 2.8-5.0 μm Ag ueber min. 0.2-1.0 μm Ni



THIS DRAWING IS A CONTROLLED DOCUMENT.		DMN S.Garcia 22MAY2000	TE Connectivity	
DIMENSIONS: mm		CHK R.Jetter 22MAY2000	NAME MICRO POWER QUADLOK BUCHSENKONTAKT Tabellezeichnung Buchsenkontakt TABLE SOCKET CONTACT	
TOLERANCES UNLESS OTHERWISE SPECIFIED: DIN 6930-2-mH		APVD	PRODUCT SPEC 108-18476-1 APPLICATION SPEC 116-18141-1	
MATERIAL		WEIGHT	SIZE A1 00779	RESTRICTED TO
			CAGE CODE DRAWING NO. 116-18141-1	SCALE 5:1
			WEIGHT	SHEET 1 OF 1
			CUSTOMER DRAWING	REV. B12