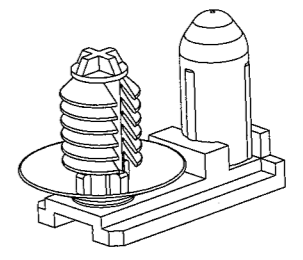
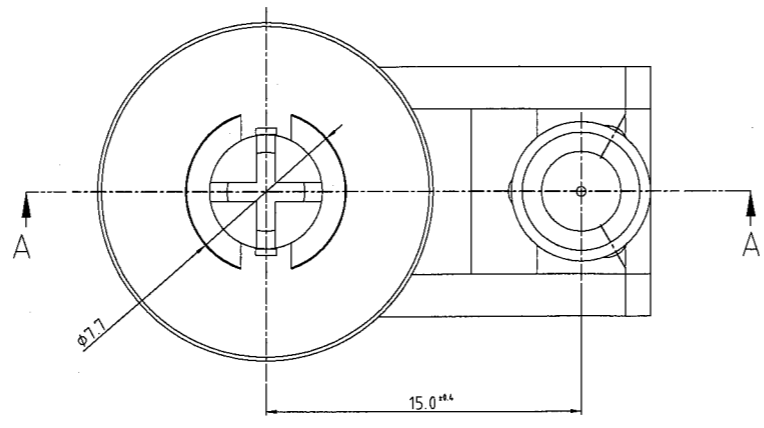
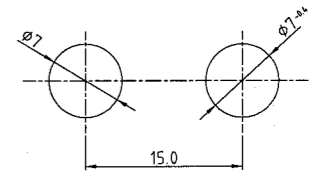
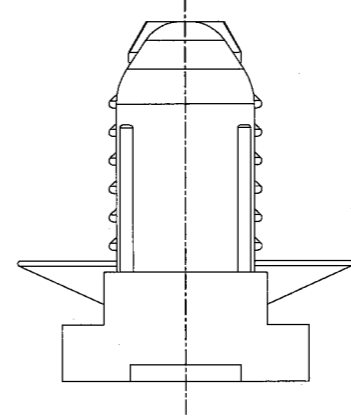
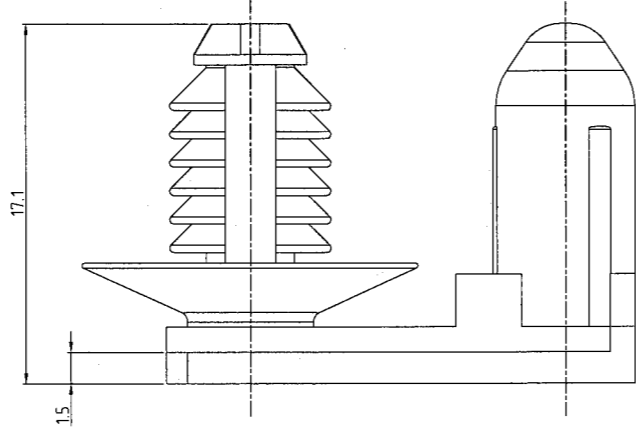
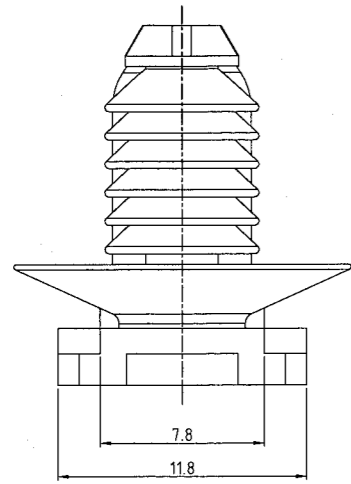


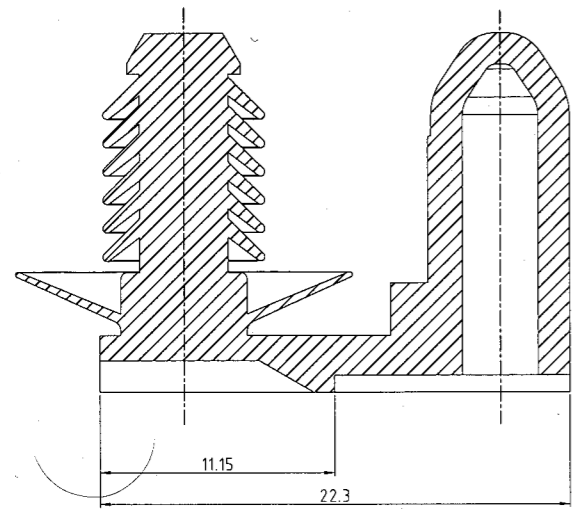
LOC	DIST	REVISIONS					
DS		P	LTR	DESCRIPTION	DATE	DWN	APVD
		0		RELEASED	31/JAN/05	YD.	CS



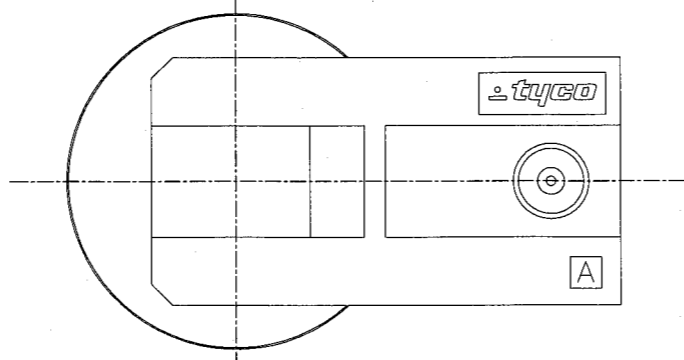
3D-VIEW  
SCALE 2/1



PANEL HOLE SIZE  
SCALE 2/1



SECTION A-A



- NOTES:
1. APPLY PANEL THICKNESS : 0.5 - 4.0mm
  2. APPLY CONNECTOR SERIES : 090 MLC

control priority dimension;		1	CLIP HSG	0-936784-2	PA66	BLACK
<input checked="" type="checkbox"/> CRITICAL, <input checked="" type="checkbox"/> MAJOR, <input type="checkbox"/> MINOR <small>THIS DRAWING IS A CONTROLLED DOCUMENT FOR TYCO ELECTRONICS CORPORATION. IT IS SUBJECT TO CHANGE AND THE CONTROLLING ENGINEERING ORGANIZATION SHOULD BE CONTACTED FOR THE LATEST REVISION.</small>		NO.	DESCRIPTION	P/N	MATERIAL	COLOR
DIMENSIONS: MM TOLERANCES UNLESS OTHERWISE SPECIFIED: DECIMALS: ± 0.3 ANGLES: ± 3°		DWN	YD LEE	<b>tyco</b> Electronics AMP KOREA. kyungsan, korea		
3rd ANGLE PROJECTION		CHK	BH JANG			
MATERIAL: SEE TABLE		APVD	CS LEE			
FINISH		PRODUCT SPEC	NAME			
		APPLICATION SPEC	WEIGHT	CLIP HSG FOR HYBRID SEALED 20P/36P PLUG ASS'Y		
		SIZE	CAGE CODE	DRAWING NO	RESTRICTED TO	
		A2	00779	C=	936784	
		SCALE	4/1	SHEET	1 OF 1	REV 0