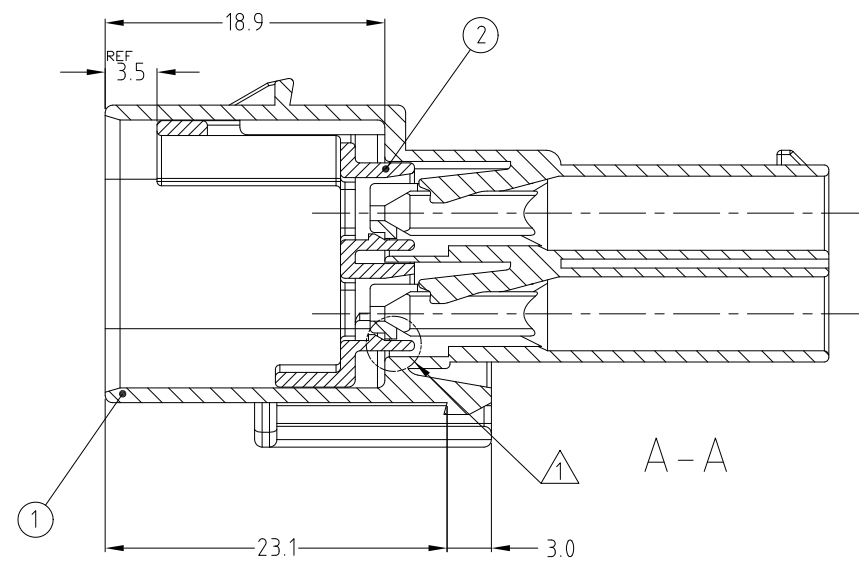
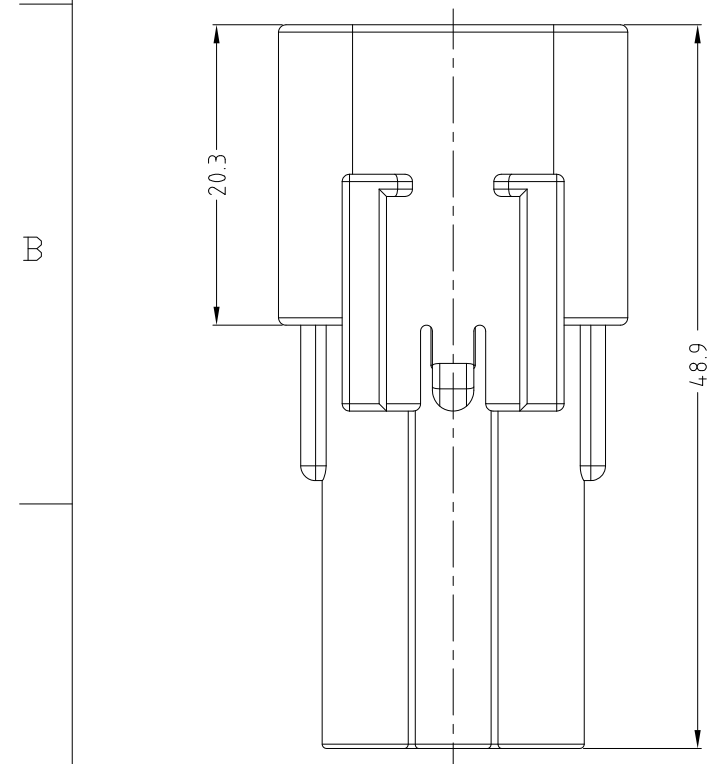
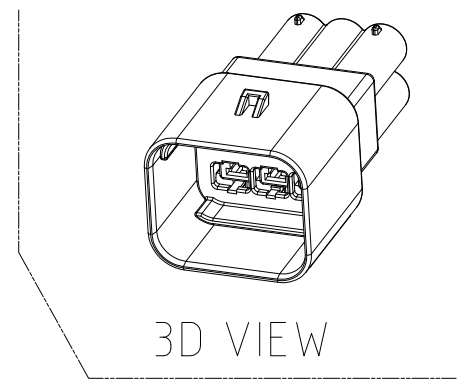
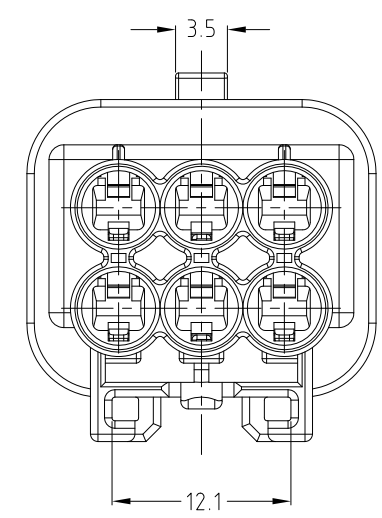
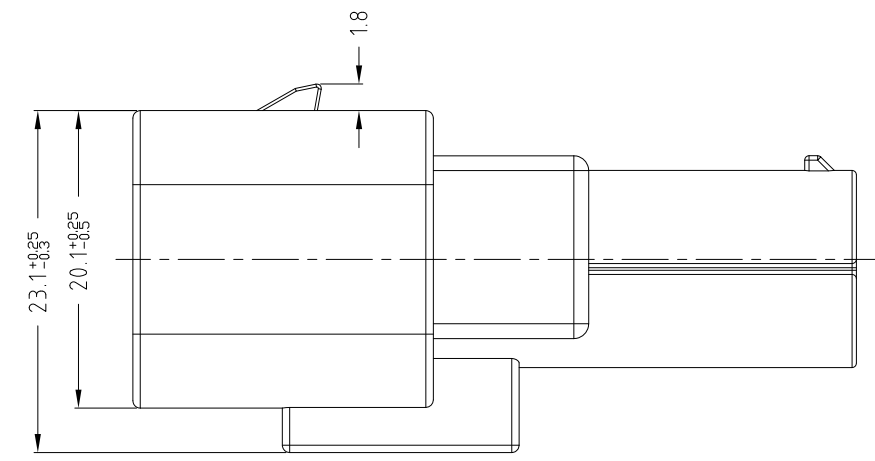
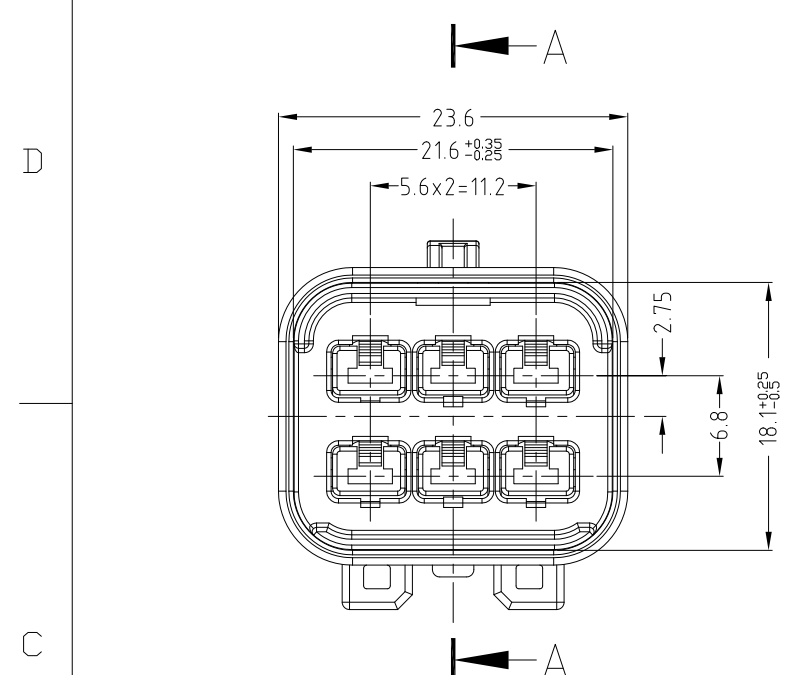


THIS DRAWING IS UNPUBLISHED. RELEASED FOR PUBLICATION, 1997 .
 © COPYRIGHT 1997 BY AMP INCORPORATED. ALL RIGHTS RESERVED.

| LOC | DIST | REVISIONS | | | |
|-----|------|-------------------------|------------|-----|------|
| P | LTR | DESCRIPTION | DATE | DWN | APVD |
| | A | REVISED (FC00-0289-04) | 16,NOV,'04 | YH | CS |
| | B | REVISED (ECR-05-002931) | 11,MAY,'05 | YH | CS |
| | B1 | REVISED (ECR-08-020978) | 21,AUG,'08 | DR | HG |



NOTE:
 1. CONDITION OF DELIVERY : DBL PLATE IN OPEN POSITION.
 2. APPLIED TAB CONTACT P/N:

| CONTACT | MCP-E TERMINAL | |
|-----------------------------|----------------|-----------|
| Part NO. | 936612-1 | 936613-1 |
| WIRE SIZE(mm ²) | 1.0~2.5SQ | 0.5~1.0SQ |

3. APPLIED FEMALE CONNECTOR P/N : 936257-2
 4. APPLIED COVER HSG P/N : 936759-2

| NO | FINISH/COLOR | MATERIAL | DESCRIPTION | Q'TY | CAP ASSY | CAP ASSY | DESCRIPTION | ASSY P/N |
|----|--------------|----------|------------------------------|------|----------|----------|-------------|------------|
| 2 | WHITE | PBT GF10 | CAP DBL HOUSING FOR MCP-E 6P | 1 | 1 | | | 0-936294-3 |
| 1 | GRAY | PBT | MCP-E SEALED 6P CAP HOUSING | 1 | | | | 0-936294-2 |
| | BLACK | PBT | MCP-E SEALED 6P CAP HOUSING | | | 1 | | |

| | | | | | |
|-----------------------------------------------------------------------------------------------------------------------------------------------------------------------------|--|----------------------|-------------------------------------|-----------------|-------------------|
| THIS DRAWING IS CONTROLLED DOCUMENT FOR AMP INCORPORATED. IT IS SUBJECT TO CHANGE AND THE CONTROLLING ENGINEERING ORGANIZATION SHOULD BE CONTACTED FOR THE LATEST REVISION. | | DWN DR GOD | Tyco Electronics Kyungsan, Korea | | |
| DIMENSIONS: MM | | CHK YM CHOI | | | |
| TOLERANCES UNLESS OTHERWISE SPECIFIED: 0 <XX<10 ± 0.2 10<XX<30 ± 0.25 30<XX ± 0.3 ANGLES ± 3° | | APVD HG CHO | NAME | | |
| 3rd ANGLE PROJECTION | | PRODUCT SPEC --- | MCP-E SEALED 6P CAP ASS'Y | | |
| MATERIAL SEE TABLE | | APPLICATION SPEC --- | SIZE A3 | CAGE CODE 00779 | DRAWING NO 936294 |
| FINISH SEE TABLE | | WEIGHT --- | CUSTOMER DRAWING | | |
| | | SCALE 2:1 | SHEET 1 OF 1 | REV B1 | |