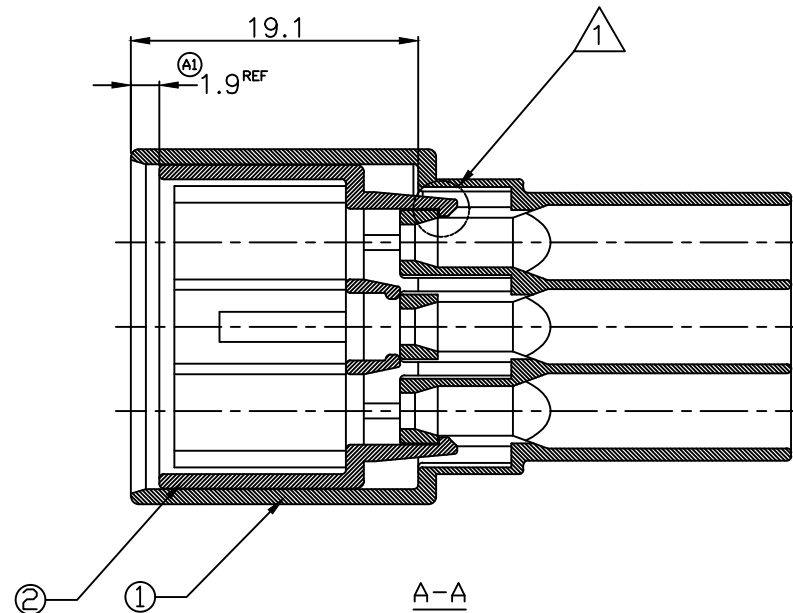
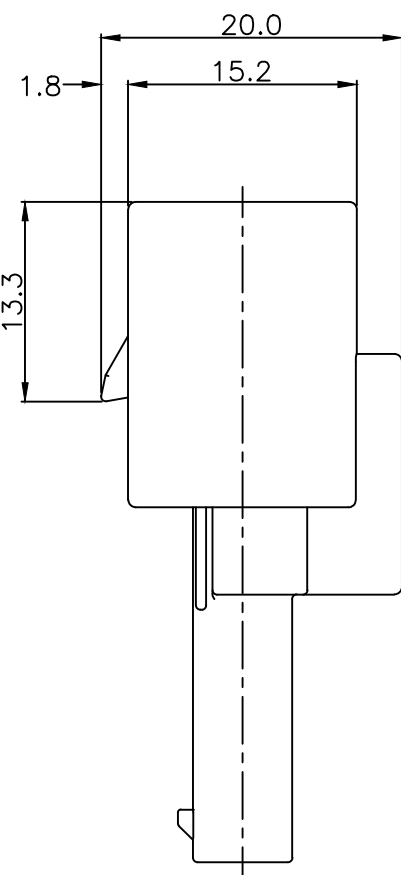
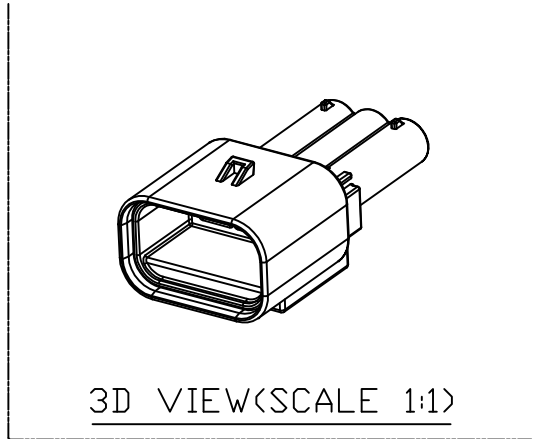
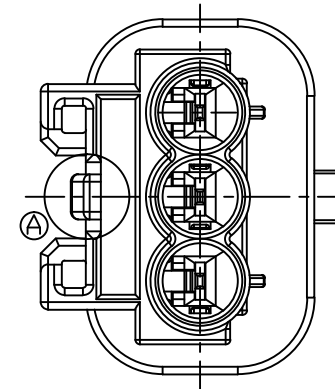
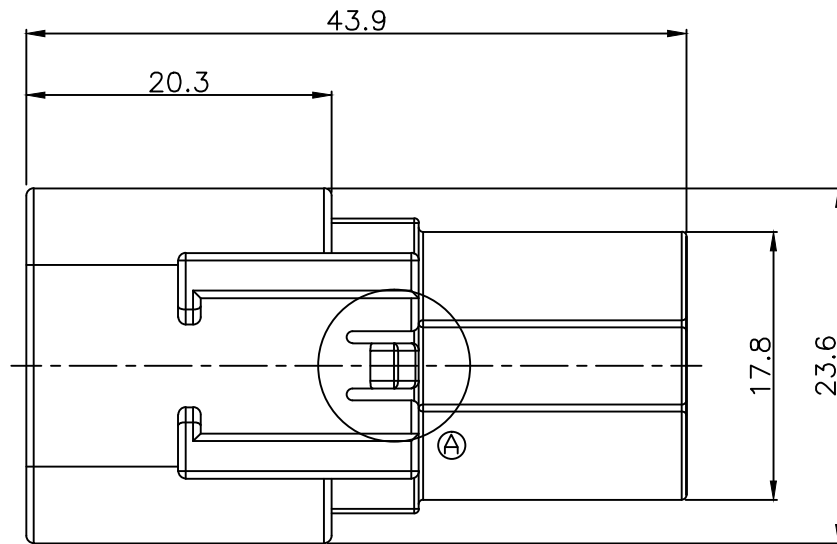
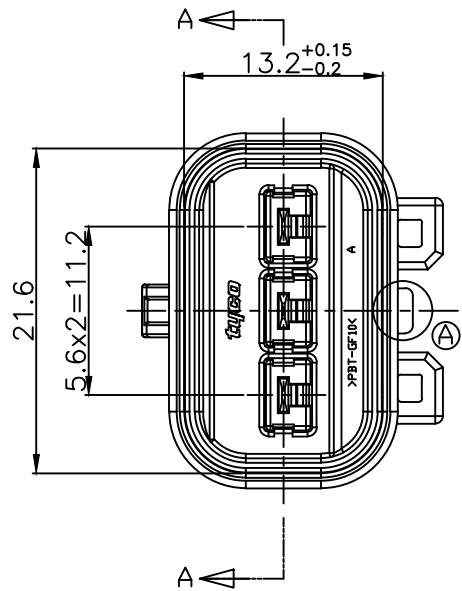


REVISIONS					
P	LTR	DESCRIPTION	DATE	DWN	APVD
	A	REVISED (ECR-06-021750)	14/SEP/06	BH	JK
	A1	REVISED (ECR-16-000511)	05/FEB/16	SJ	HG



NOTES

1. CONDITION OF DELIVERY : DBL PLATE IN OPEN POSITION.

2. APPLIED TAB CONTACT P/N:

CONTACT	.090 TERMINAL		
Part NO.	936260-1	936261-1	936262-1
WIRE SIZE(mm <sup>2</sup> )	0.3-AVS0.5	0.85-AVS1.25	AVSS2.0, AESSXF2.5

3. APPLIED FEMALE CONNECTOR P/N : 936251-2

4. APPLIED WIRE COVER HSG P/N : 936312-1  
(CORRUGATOR DIA : Ø5)

NO.	SIZE	COLOR	MATERIAL	DESCRIPTION	P/N	REV
2	WHITE		PBT GF10	DBL PLATE	936296-1	1
1	BLACK		PBT	CAP HSG	936245-2	1

THIS DRAWING IS A CONTROLLED DOCUMENT FOR TYCO ELECTRONICS CORPORATION IT IS SUBJECT TO CHANGE AND THE CONTROLLING ENGINEERING ORGANIZATION SHOULD BE CONTACTED FOR THE LATEST REVISION.

DIMENSIONS: MM	TOLERANCES UNLESS OTHERWISE SPECIFIED: 0 <XX<10 ± 0.2 10<XX<30 ± 0.25 30<XX ± 0.3 ANGLES ± 3°
MATERIAL	FINISH

SEE TABLE

DWN : BH LEE  
CHK : YM CHOI  
APVD : JK SONG  
PRODUCT SPEC  
APPLICATION SPEC  
WEIGHT  
CUSTOMER DRAWING



NAME  
.090 SEALED 3P CAP ASS'Y  
RESTRICTED TO  
SIZE A3 CAGE CODE 00779 C- DRAWING NO 936292  
SCALE 2/1 SHEET 1 OF 1 REV A1