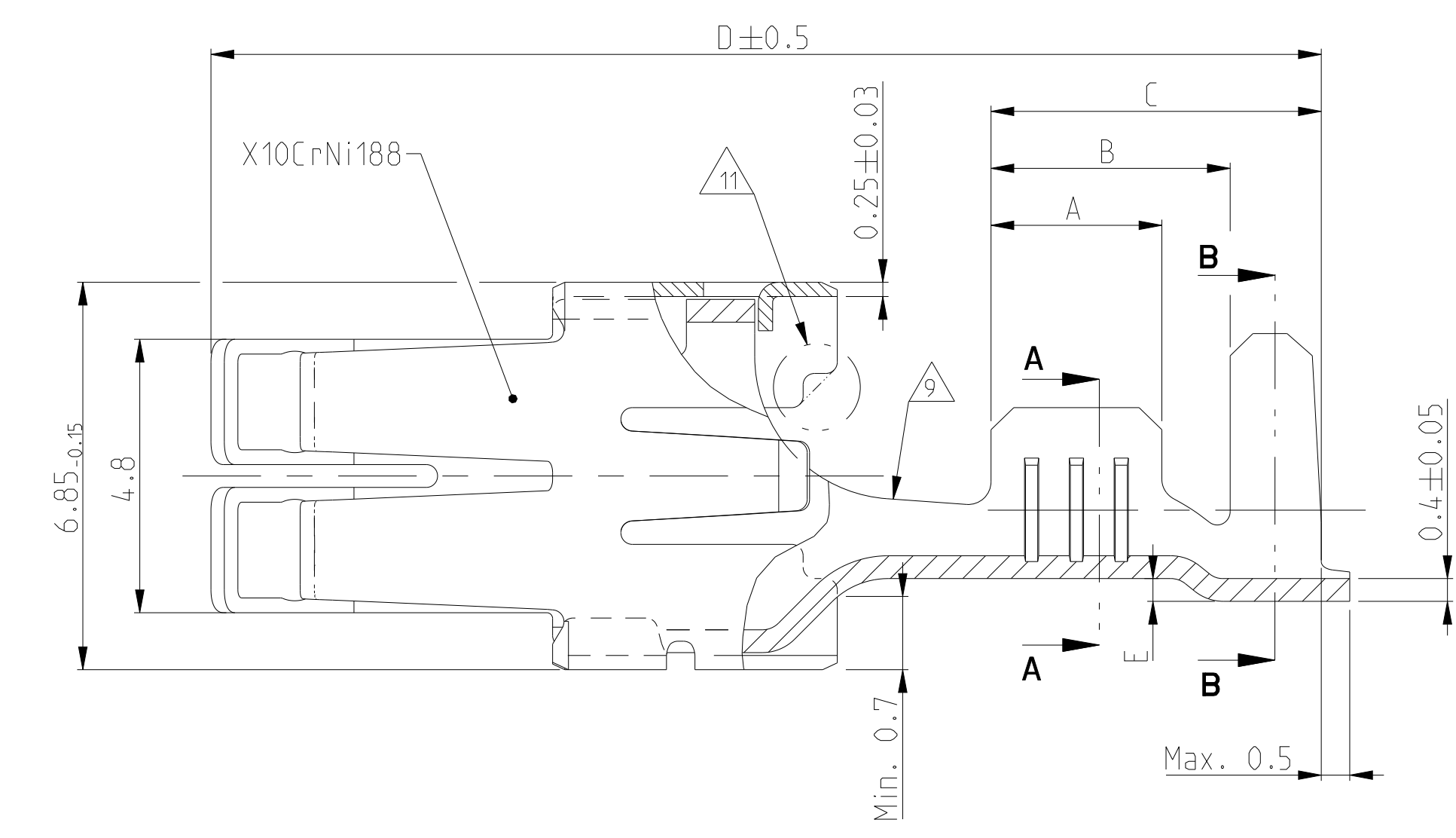
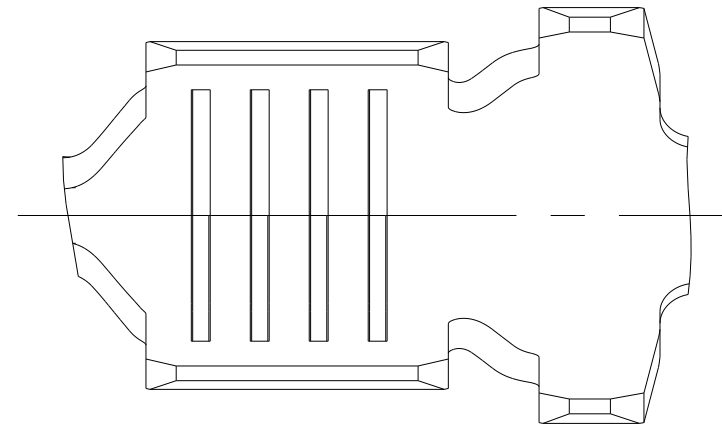


NO.	DATE	DESCRIPTION	BY	CHK	APPD
B10	20210820	ADDED NEW PN 1862029-5 DETAILS IN BOM	JJM	JCB	JCB
B11	20210820	REFER PCN: E-21-005125	JJM	JCB	JCB
B12	20210820	CORRECTION INSLA-HEIGHT FOR PN 1862029-5	JJM	JCB	JCB
B13	20210820	REVISION MISMATCH RESOLVED	KMD	JCB	JCB

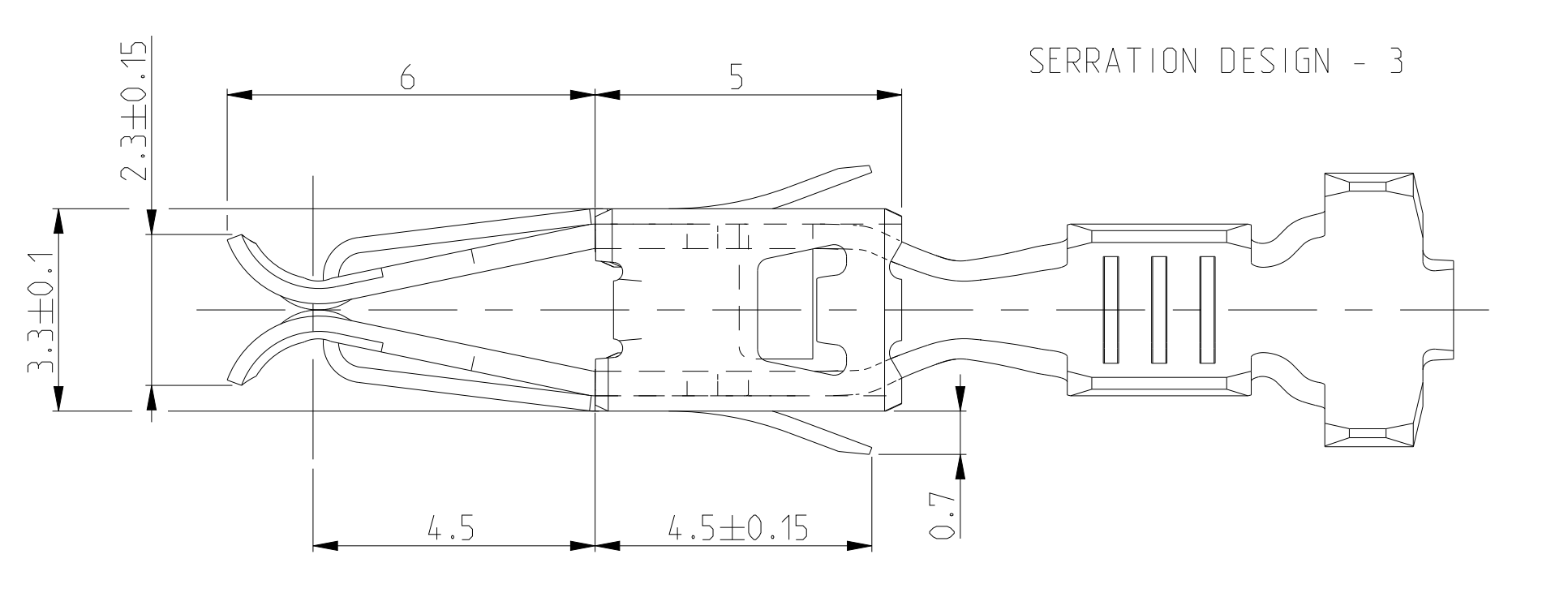
## VERSION A (UNSEALED / ungedichtet)



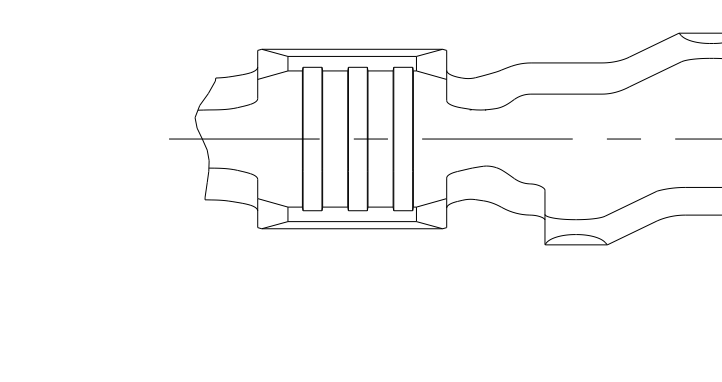
SERRATION DESIGN - 1



SERRATION DESIGN - 2

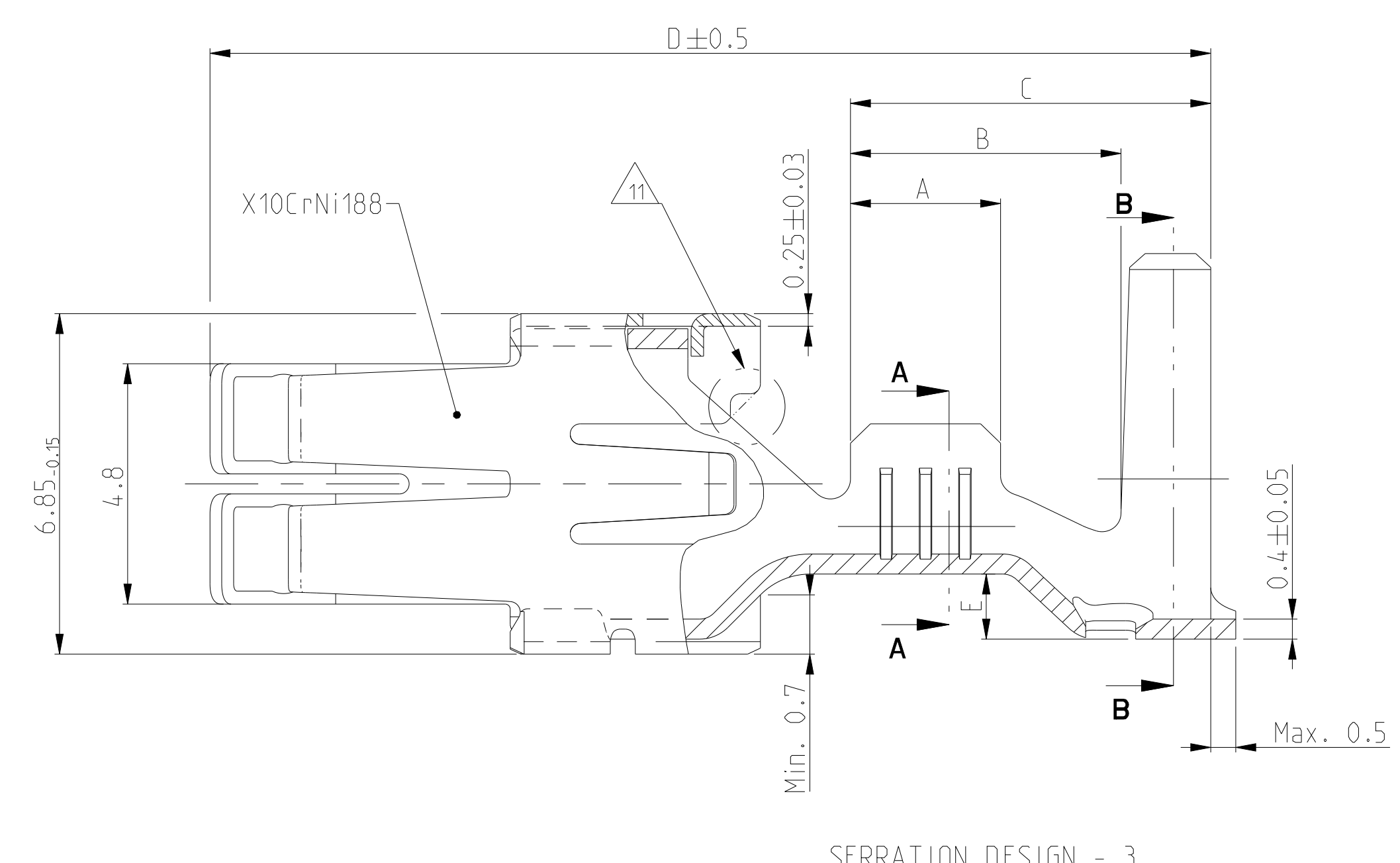


SERRATION DESIGN - 3

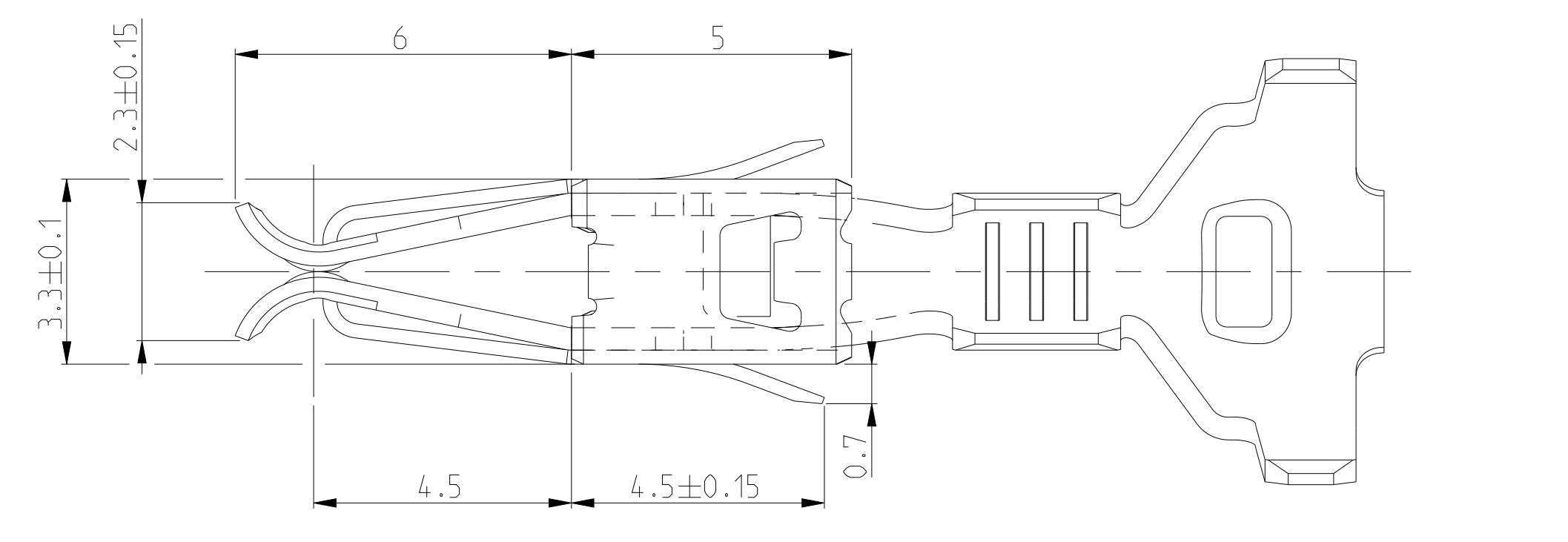


SERRATION DESIGN - 4

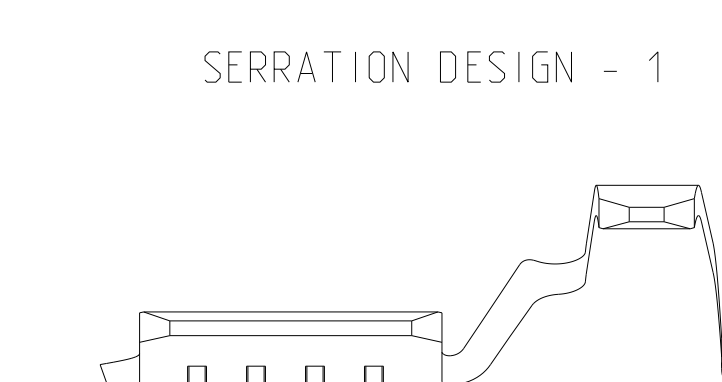
## VERSION B (SINGLE WIRE SEAL / Einzel-Dichtungs-System)



SERRATION DESIGN - 3



SERRATION DESIGN - 1



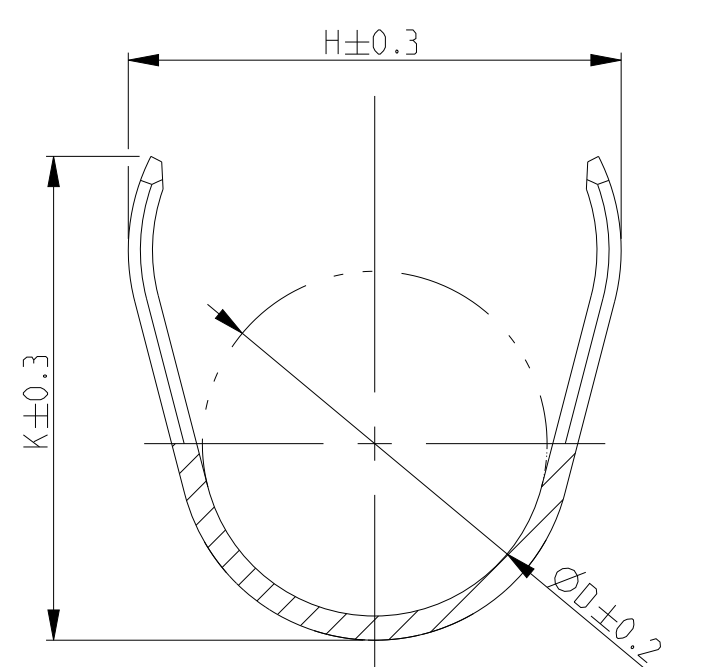
SERRATION DESIGN - 2

REV	TE Connectivity ORDER - NO	TE Connectivity ORDER - NO	TE Connectivity ORDER - NO	TE Connectivity ORDER - NO	TE Connectivity ORDER - NO	MATERIAL	SURFACE	CONTACT	CRIMP DIMENSIONS (mm)	EXTRACTION TOOL	TE CONNECTIVITY ORDER - NO.					
-	-	-	-	-	-	1862029-5	A	CuFe2	PRESILVERED vorversilbert	MQC- Applicator	-	2.5	3.8	6.6	19.5	0.3
-	-	-	-	-	-	-	-	-	-	2837770-2	-	-	-	-	-	-
-	-	-	-	-	-	-	-	-	-	MQC- Applicator	-	2.5	3.8	6.6	19.5	0.3
-	-	-	-	-	-	-	-	-	-	878426-2	539635-1 WITH DIE: mit Matrize 539744-2	-	-	-	-	-
-	-	-	-	-	-	-	-	-	-	MQC- Applicator	-	3	4.2	5.8	19.5	0.4
-	-	-	-	-	-	-	-	-	-	2-541689-2	539635-1 WITH DIE: mit Matrize 539744-2	-	-	-	-	-
-	-	-	-	-	-	-	-	-	-	MQC- Applicator	-	3.5	4.7	6.3	19.5	0.4
-	-	-	-	-	-	-	-	-	-	878367-2	539635-1 WITH DIE: mit Matrize 539733-2	-	-	-	-	-
-	-	-	-	-	-	-	-	-	-	MQC- Applicator	-	4	5.2	6.8	19.5	0.6
-	-	-	-	-	-	-	-	-	-	2-878314-2	539635-1 WITH DIE: mit Matrize 539734-2	-	-	-	-	-
927824-2	C	-	-	-	-	-	-	-	-	MQC- Applicator	-	4.2	5.6	7.7	20	0.6
927824-1	C	-	-	-	-	-	-	-	-	2-878738-2	-	-	-	-	-	-
927829-5	C	-	-	-	-	-	-	-	-	MQC- Applicator	-	2.5	3.8	6.6	19.5	0.3
927829-2	C	-	-	-	-	-	-	-	-	878427-2	-	-	-	-	-	-
927829-1	C	-	-	-	-	-	-	-	-	MQC- Applicator	-	3	4.2	5.8	19.5	0.4
927827-2	C	-	-	-	-	-	-	-	-	MQC- Applicator	-	3	4.2	5.8	19.5	0.4
927833-5	D	-	-	-	-	-	-	-	-	169400-0	WITH DIE: mit Matrize 734249-0	-	-	-	-	-
927833-2	D	-	-	-	-	-	-	-	-	MQC- Applicator	-	3.5	4.7	6.3	19.5	0.4
927833-1	D	-	-	-	-	-	-	-	-	878367-2	539635-1 WITH DIE: mit Matrize 539733-2	-	-	-	-	-
927827-2	C	-	-	-	-	-	-	-	-	MQC- Applicator	-	4	5.2	6.8	19.5	0.6
927831-1	C	-	-	-	-	-	-	-	-	2-878314-2	539635-1 WITH DIE: mit Matrize 539734-2	-	-	-	-	-
927831-5	C	-	-	-	-	-	-	-	-	MQC- Applicator	-	3	4.2	5.8	19.5	0.4
927831-4	C	-	-	-	-	-	-	-	-	878328-2	169400-0 WITH DIE: mit Matrize 734781-1	-	-	-	-	-
927831-2	C	-	-	-	-	-	-	-	-	MQC- Applicator	-	3.5	4.7	6.3	19.5	0.4
927831-1	C	-	-	-	-	-	-	-	-	878356-2	169400-0 WITH DIE: mit Matrize 734251-0	-	-	-	-	-
927837-6	D	-	-	-	-	-	-	-	-	MQC- Applicator	-	4	5.2	6.8	19.5	0.6
927837-5	D	-	-	-	-	-	-	-	-	169400-0	WITH DIE: mit Matrize 734251-0	-	-	-	-	-
927837-4	D	-	-	-	-	-	-	-	-	MQC- Applicator	-	3	4.2	5.8	19.5	0.4
927837-2	D	-	-	-	-	-	-	-	-	878337-2	539635-1 WITH DIE: mit Matrize 739736-2	-	-	-	-	-
927837-1	D	-	-	-	-	-	-	-	-	MQC- Applicator	-	3.5	4.7	6.3	19.5	0.4
927829-5	D	-	-	-	-	-	-	-	-	878338-2	539635-1 WITH DIE: mit Matrize 739736-2	-	-	-	-	-
927829-2	D	-	-	-	-	-	-	-	-	MQC- Applicator	-	4	5.9	7.7	20	1.25
927829-1	D	-	-	-	-	-	-	-	-	878338-2	539635-1 WITH DIE: mit Matrize 739736-2	-	-	-	-	-
2-928966-2	D	-	-	-	-	-	-	-	-	MQC- Applicator	-	4	5.9	7.7	20	1.25
2-928966-1	D	-	-	-	-	-	-	-	-	878441-2	539635-1 WITH DIE: mit Matrize 539736-2	-	-	-	-	-
1-928966-3	D	-	-	-	-	-	-	-	-	MQC- Applicator	-	4	5.9	7.7	20	1.25
928966-2	D	-	-	-	-	-	-	-	-	169400-0	WITH DIE: mit Matrize 734251-0	-	-	-	-	-
928966-1	D	-	-	-	-	-	-	-	-	MQC- Applicator	-	3	4.2	5.8	19.5	0.4
1241962-1	B	-	-	-	-	-	-	-	-	878337-2	539635-1 WITH DIE: mit Matrize 739736-2	-	-	-	-	-

REV	TE Connectivity ORDER - NO	TE Connectivity ORDER - NO	TE Connectivity ORDER - NO	TE Connectivity ORDER - NO	TE Connectivity ORDER - NO	MATERIAL	SURFACE	CONTACT	CRIMP DIMENSIONS (mm)	EXTRACTION TOOL	TE CONNECTIVITY ORDER - NO.							
-	-	-	-	-	-	2-927836-2	C	CuSn4	vorverzinkt PRETINNED	MQC- Applicator	539635-1 WITH DIE: mit Matrize 739736-2	3	5.4	7.2	20	1.25	963243-1	100132-1
-	-	-	-	-	-	927836-2	C	CuSn4	vorverzinkt PRETINNED	MQC- Applicator	539635-1 WITH DIE: mit Matrize 739736-2	3.5	5.9	7.7	20	1.25	963244-1	100132-1
-	-	-	-	-	-	927836-1	C	CuFe2	vorverzinkt PRETINNED	MQC- Applicator	539635-1 WITH DIE: mit Matrize 739736-2	3.5	5.9	7.7	20	1.25	963244-1	100132-1
-	-	-	-	-	-	2-927835-2	C	CuSn4	vorverzinkt PRETINNED	MQC- Applicator	539635-1 WITH DIE: mit Matrize 739736-2	4	5.9	7.7	20	1.25	963245-1	100132-1
-	-	-	-	-	-	2-927835-1	C	CuSn4	vorverzinkt PRETINNED	MQC- Applicator	539635-1 WITH DIE: mit Matrize 739736-2	4	5.9	7.7	20	1.25	963245-1	100132-1
-	-	-	-	-	-	1-927835-3	C	CuFe2	vorverzinkt PRETINNED	MQC- Applicator	539635-1 WITH DIE: mit Matrize 739736-2	4	5.9	7.7	20	1.25	963245-1	100132-1
-	-	-	-	-	-	927835-2	C	CuSn4	vorverzinkt PRETINNED	MQC- Applicator	539635-1 WITH DIE: mit Matrize 739736-2	4	5.9	7.7	20	1.25	967011-1	100132-1
-	-	-	-	-	-	927835-1	C	CuFe2	vorverzinkt PRETINNED	MQC- Applicator	539635-1 WITH DIE: mit Matrize 739736-2	4	5.9	7.7	20	1.25	963245-1	100132-1
2-928966-2	D	-	-	-	-	-	-	-	-	MQC- Applicator	539635-1 WITH DIE: mit Matrize 739736-2	4	5.9	7.7	20	1.25	967011-1	100132-1
2-928966-1	D	-	-	-	-	-	-	-	-	MQC- Applicator	539635-1 WITH DIE: mit Matrize 739736-2	4	5.9	7.7	20	1.25	963245-1	100132-1
1-928966-3	D	-	-	-	-	-	-	-	-	MQC- Applicator	539635-1 WITH DIE: mit Matrize 739736-2	4	5.9	7.7	20	1.25	967011-1	100132-1
928966-2	D	-	-	-	-	-	-	-	-	MQC- Applicator	539635-1 WITH DIE: mit Matrize 739736-2	4	5.9	7.7	20	1.25	967011-1	100132-1
928966-1	D	-	-	-	-	-	-	-	-	MQC- Applicator	539635-1 WITH DIE: mit Matrize 739736-2	4	5.9	7.7	20	1.25	967011-1	100132-1
1241962-1	B	-	-	-	-	-	-	-	-	MQC- Applicator	539635-1 WITH DIE: mit Matrize 739736-2	4	5.9	7.7	20	1.25	967011-1	100132-1

- CONTACT ZONE SELECTIVE PRE SILVER PLATED MIN 3-4.5µm**  
Kontaktzone selektiv vorversilbert min. 3-4.5µm
- CONTACT ZONE SELECTIVE PRE SILVER PLATED MIN 1-1.5µm**  
Kontaktzone selektiv vorversilbert min. 1-1.5µm
- CONTACT BODY: ELECTRO TIN PLATED OVER NICKEL CONTACT AREA: GOLD PLATED**  
Kontaktkoerper: gal. verzinkt ueber Nickel Kontaktzone: vergoldet
- CONTACT BODY: ELECTRO TIN PLATED OVER NICKEL CONTACT AREA: SELECTIVE NICKEL PLATED 2-4µm**  
Kontaktkoerper: gal. verzinkt ueber Nickel Kontaktzone: selektiv vernickelt 2-4µm
- CONTACT BODY: ELECTRO TIN PLATED OVER NICKEL TOUCHING AREA TO CANTILEVER SPRING: SELECTIVE AU PLATED OVER NICKEL CANTILEVER SPRING: COMPLETELY AU PLATED**  
Kontaktkoerper: gal. verzinkt ueber Nickel Anlageflaeche zur Ueberfeder selektiv Au ueber Ni beschichtet Ueberfeder: komplett Au beschichtet
- PRE-FORM ISO-AREA ONLY FOR PN: 1241962-1**  
Isoflanken vorgeformt nur bei PN:1241962-1

- WRAP CRIMP ONLY FOR PN: 927839, 927840, 928989 AND 928990**  
Umfassungscrimp nur bei PN: 927839, 927840, 928989 und 928990
- TRANSITION ONLY FOR PN 927827, 927828, 927829, 927830, 927833, 927834, 927837 AND 927838**  
Uebergang nur fuer PN 927827, 927828, 927829, 927830, 927833, 927834, 927837 und 927838
- 1-3µm Sn28M LAYER FOR HIGHER TEMPERATURE REQUIREMENTS**  
1-3µm Sn28M Schicht fuer hoehere Temperaturanforderungen
- DOTTED LINE IS ALTERNATIVE SHAPE**  
Gestrichelte Linie alternative Form
- OBSELETE**
- SEE APPLICATION SPEC. FOR PREFERRED STANDARD TO MEET NEW REQUIREMENT LV214-2 SLOW MOTION BENDING TEST**  
Siehe Verarbeitungs Spezifikation fuer bevorzugten Standard um den neuen Anforderungen der LV214-2 Slow Motion Pruefung zu genuegen



B-B

THIS DRAWING IS A CONTROLLED DOCUMENT. DIMENSIONS AND TOLERANCES PER ISO STANDARDS. DATE: 20210820. DRAWN BY: M. HUNDEL. CHECKED BY: M. HUNDEL. APPROVED BY: M. HUNDEL. PROJECT: 114-18037. DRAWING NO: 114-18037. SCALE: 1:1. SHEET: 10.1 OF 1. REV: B13.