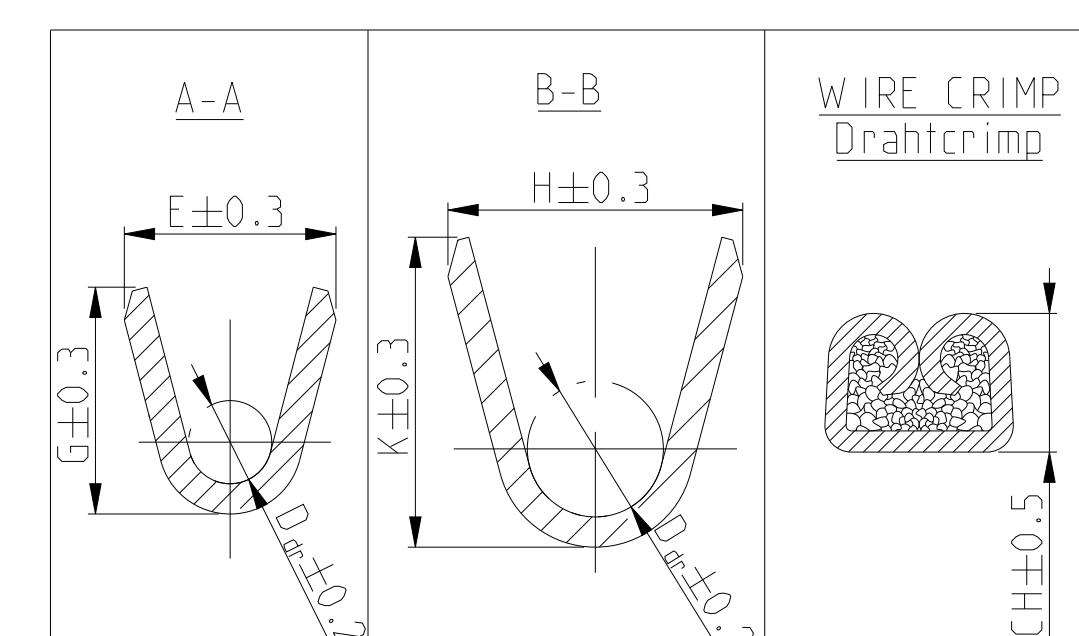
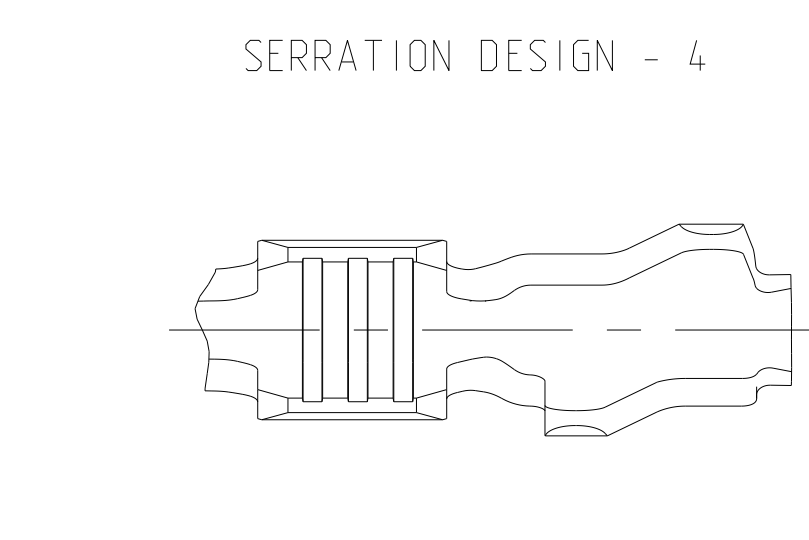
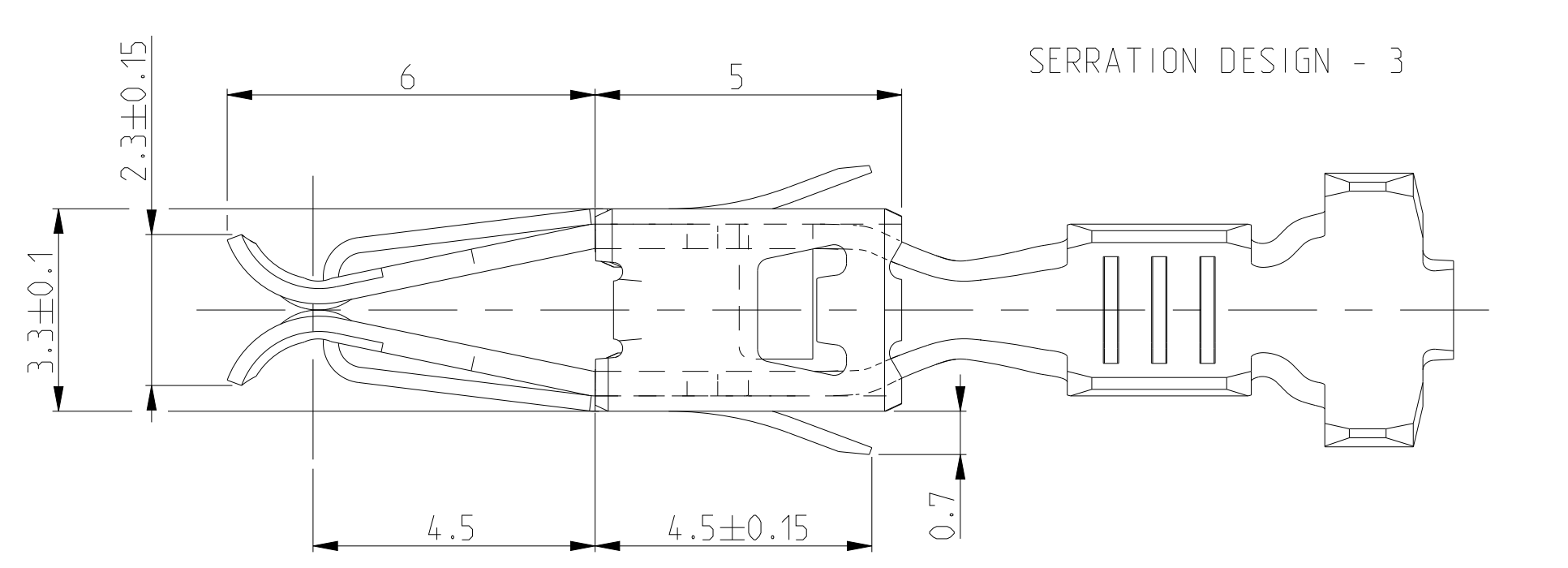
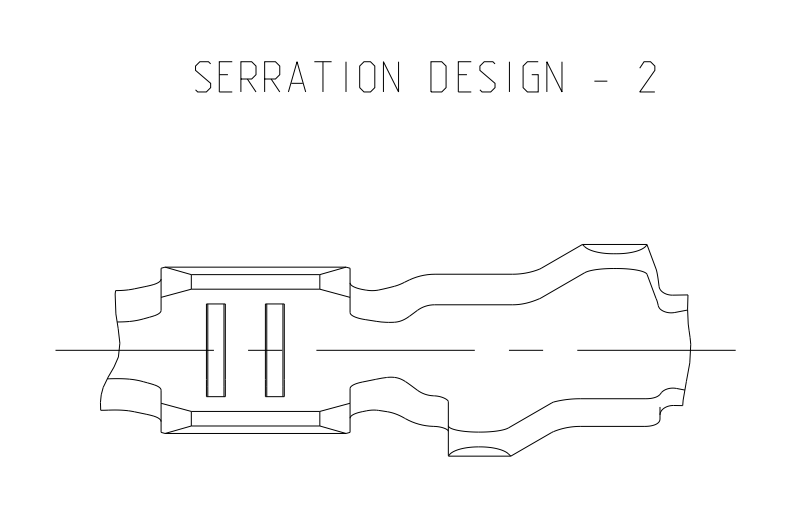
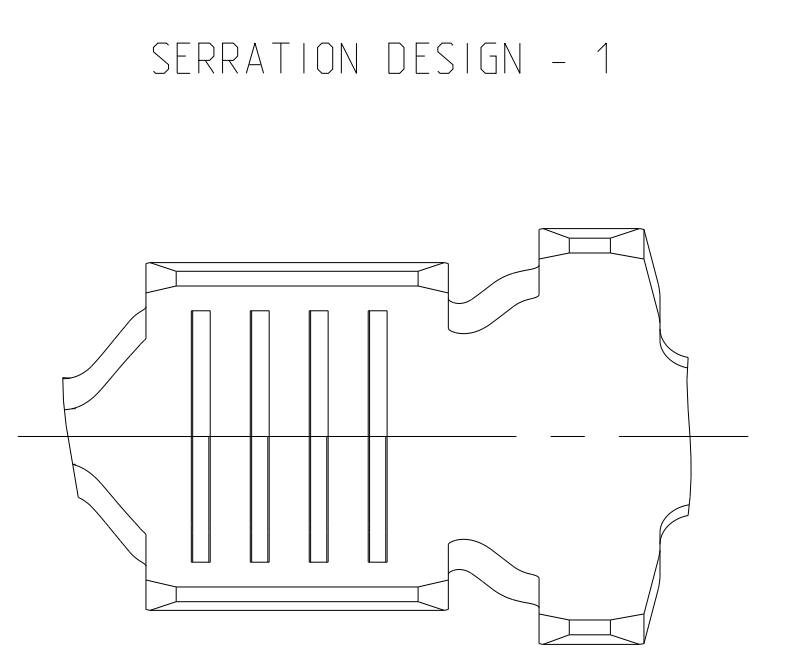
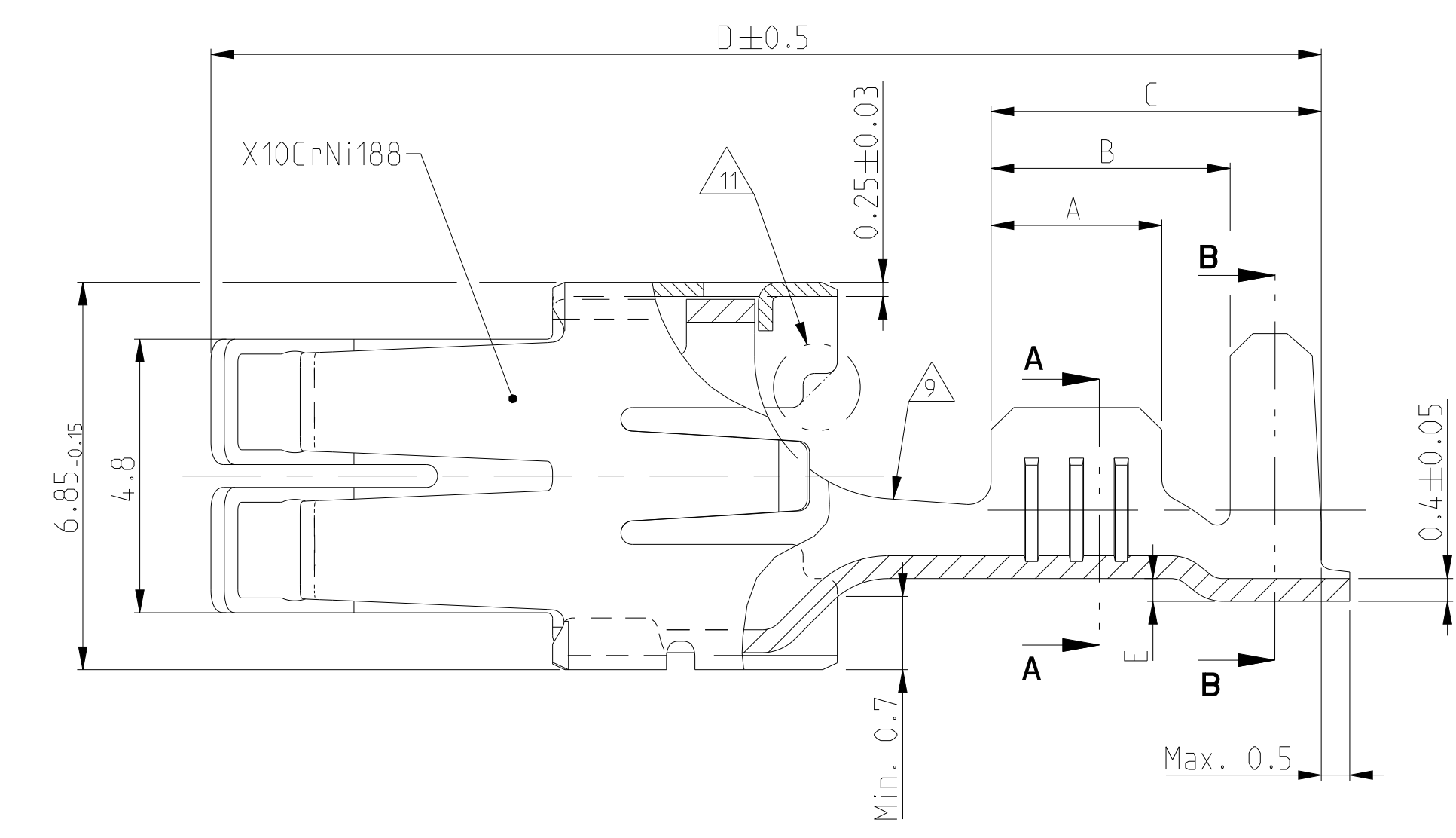


REV	TE Connectivity ORDER - NO	TE Connectivity ORDER - NO	TE Connectivity ORDER - NO	TE Connectivity ORDER - NO	TE Connectivity ORDER - NO	MATERIAL	SURFACE	VERSION A
-	-	-	-	-	-	1862029-5 A	CuFe2	PRESILVERED vorversilbert
-	-	-	-	-	-	-	-	-
-	-	-	-	-	-	-	-	-
-	-	-	-	-	-	-	-	-
-	927839-2	C	-	-	-	CuSn4	PRETINNED vorverzinkt	-
-	927839-1	C	-	-	-	CuFe2	-	-
-	-	-	927827-2	C	-	CuSn4	PRETINNED vorverzinkt	-
-	-	-	927827-1	C	-	CuFe2	-	-
-	-	-	927833-5	D	-	-	-	-
-	-	-	927833-2	D	-	CuSn4	PRETINNED vorverzinkt	-
-	-	-	927833-1	D	-	CuFe2	-	-
927824-2	C	-	-	-	-	CuSn4	PRETINNED vorverzinkt	-
927824-1	C	-	-	-	-	CuFe2	-	-
963709-5	C	-	-	-	-	-	vorversilbert PRESILVERED	-
-	-	-	-	-	-	-	-	-
963709-2	C	-	-	-	-	CuSn4	vorverzinkt PRETINNED	-
963709-1	C	-	-	-	-	CuFe2	-	-
1241818-5	B	-	-	-	-	CuFe2	vorverzinkt PRETINNED	-
1241818-1	B	-	-	-	-	CuFe2	vorversilbert PRESILVERED	-
-	927840-5	C	-	-	-	CuFe2	vorversilbert PRESILVERED	-
-	927840-4	C	-	-	-	CuSn4	-	-
-	-	-	-	-	-	-	-	-
-	927840-2	C	-	-	-	CuSn4	vorverzinkt PRETINNED	-
-	927840-1	C	-	-	-	CuFe2	-	-
-	-	-	927831-5	C	-	CuFe2	vorversilbert PRESILVERED	-
-	-	-	927831-4	C	-	CuSn4	-	-
-	-	-	927831-2	C	-	CuSn4	vorverzinkt PRETINNED	-
-	-	-	927831-1	C	-	CuFe2	-	-
-	-	-	927837-5	D	-	CuFe2	vorversilbert PRESILVERED	-
-	-	-	927837-6	D	-	CuFe2	-	-
-	-	-	927837-5	D	-	CuFe2	vorversilbert PRESILVERED	-
-	-	-	927837-4	D	-	CuSn4	-	-
-	-	-	927837-2	D	-	CuSn4	vorverzinkt PRETINNED	-
-	-	-	927837-1	D	-	CuFe2	-	-
927829-5	D	-	-	-	-	CuFe2	vorversilbert PRESILVERED	-
927829-5	D	-	-	-	-	CuFe2	-	-
927829-2	D	-	-	-	-	CuSn4	vorverzinkt PRETINNED	-
927829-1	D	-	-	-	-	CuFe2	-	-

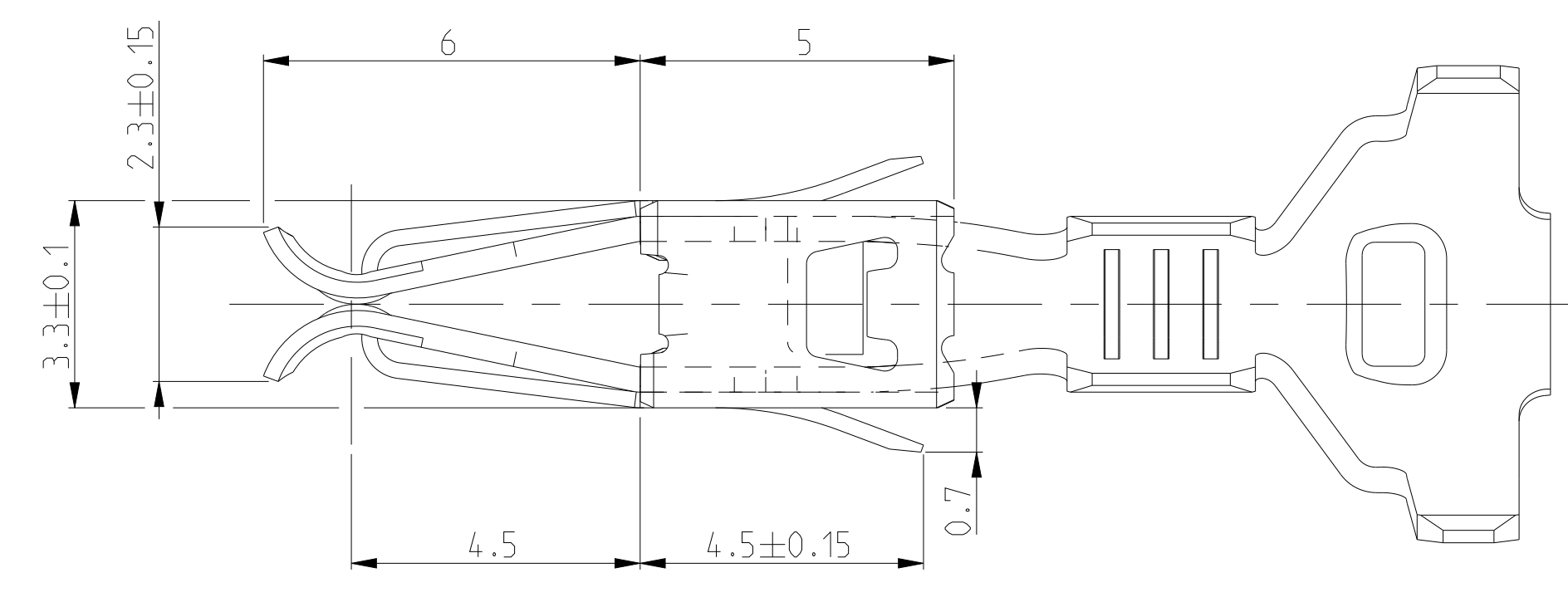
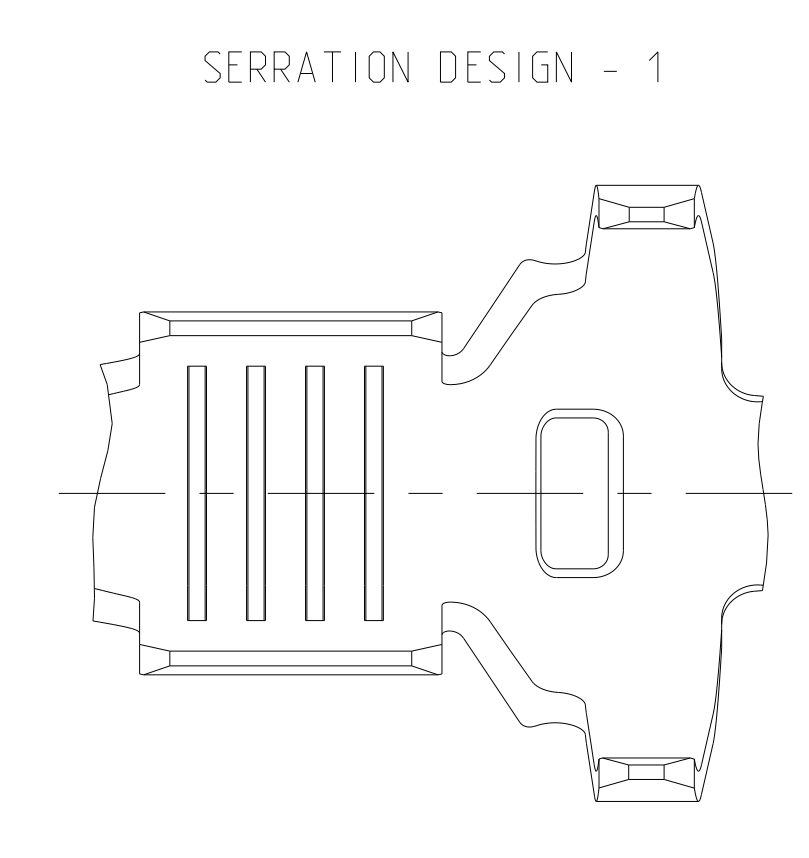
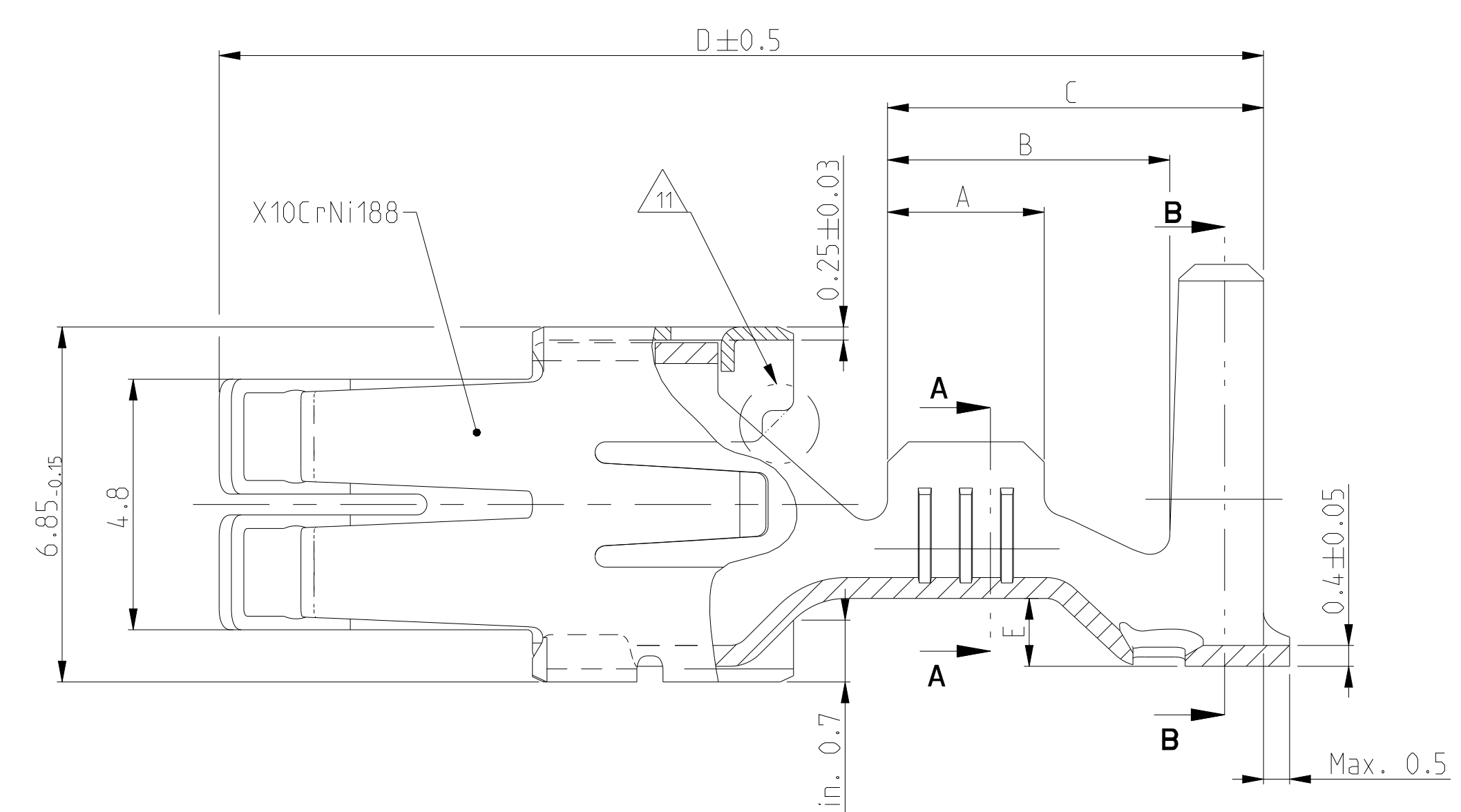
CRIMP DIMENSIONS (mm)	EXTRACTION TOOL	TE CONNECTIVITY ORDER - No.	CRIMP HEIGHT	CRIMP RANGE (mm)	TE CONNECTIVITY ORDER - No.
0.35 - 0.5 FLR E = 2.37 G = 2.45 D _w = 0.8	MQC - Applicator 2837770-2	-	0.5mm ² = 1.14 0.35mm ² = 1.09 0.5mm ² = 1.14 0.35mm ² = 1.09	2.5	3.8
0.35 - 0.5 FLU E = 2.2 G = 2.2 D _w = 0.8	MQC - Applicator 878426-2	539635-1 WITH DIE: mit Matrize 539744-2	0.20mm ² = 1.13 0.35mm ² = 1.19 0.50mm ² = 1.26	2.5	3.8
0.2 - 0.5 FLK E = 2.8 K = 3.0 D _w = 1.1	MQC - Applicator 2-541689-2	539733-2 WITH DIE: mit Matrize 736249-0	1.5mm ² = 1.76 2.0mm ² = 1.90 2.5mm ² = 2.04	3	4.2
0.5 - 1.0 FLK E = 3.8 G = 4.1 D _w = 1.6	MQC - Applicator 878367-2	539635-1 WITH DIE: mit Matrize 539733-2	3.0mm ² = 2.13 3.5mm ² = 2.24 4.0mm ² = 2.35	4	5.2
>1.0 - 2.5 FLK E = 4.6 K = 5.8 D _w = 2.4	MQC - Applicator 2-878314-2	539635-1 WITH DIE: mit Matrize 539734-2	4.0mm ² = 2.55	4.2	5.6
>2.5 - 4.0 FLK E = 5.2 G = 5.5 D _w = 2.9	MQC - Applicator 2-878738-2	-	6.0mm ² = 2.55	20	0.6
4.0 - 6.0 FLK E = 2.2 G = 2.2 D _w = 0.8	MQC - Applicator 878427-2	-	0.2mm ² = 1.13 0.35mm ² = 1.19 0.5mm ² = 1.26	2.5	3.8
0.2 - 0.5 FLR E = 2.8 G = 3.0 D _w = 1.1	MQC - Applicator 878328-2	169400-0 WITH DIE: mit Matrize 734781-1	1.0mm ² = 1.61	3	4.2
0.5 - 1.0 FLR E = 3.8 G = 4.1 D _w = 1.6	MQC - Applicator 878356-2	169400-0 WITH DIE: mit Matrize 734251-0	1.25mm ² = 1.69 1.5mm ² = 1.76 2.0mm ² = 1.90 2.5mm ² = 2.04	3.5	4.7
>1.0 - 2.5 FLR E = 4.6 G = 4.8 D _w = 2.4	MQC - Applicator 2-878384-2	169400-0 WITH DIE: mit Matrize 734251-0	3.0mm ² = 2.13 3.5mm ² = 2.24 4.0mm ² = 2.35	4	5.2



VERSION A (UNSEALED / ungedichtet)



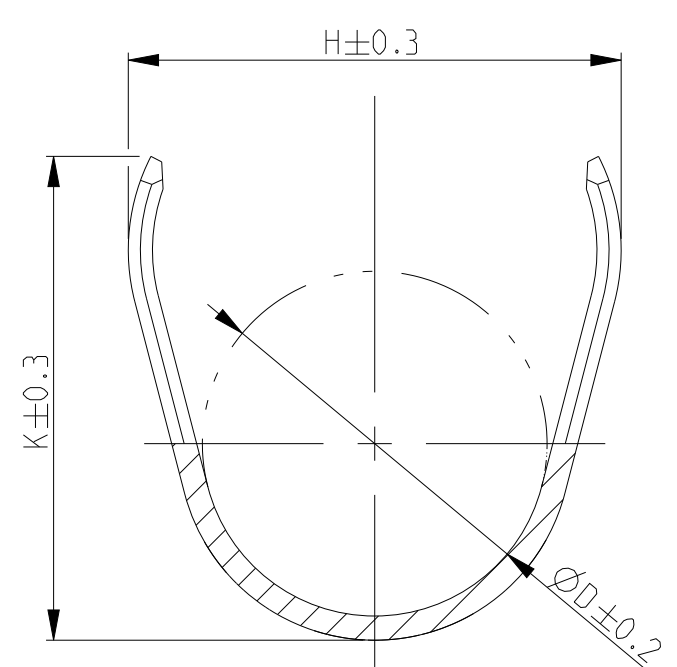
VERSION B (SINGLE WIRE SEAL / Einzel-Dichtungs-System)



REV	TE Connectivity ORDER - NO	TE Connectivity ORDER - NO	TE Connectivity ORDER - NO	TE Connectivity ORDER - NO	TE Connectivity ORDER - NO	MATERIAL	SURFACE	VERSION B
-	-	-	2-927836-2	C	-	CuSn4	vorverzinkt PRETINNED	-
-	-	-	927836-2	C	-	CuSn4	vorverzinkt PRETINNED	-
-	-	-	927836-1	C	-	CuFe2	-	-
-	-	-	2-927835-2	C	-	CuSn4	vorverzinkt PRETINNED	-
-	-	-	2-927835-1	C	-	CuSn4	vorverzinkt PRETINNED	-
-	-	-	1-927835-3	C	-	CuFe2	-	-
-	-	-	-	-	-	-	-	-
-	-	-	927835-2	C	-	CuSn4	vorverzinkt PRETINNED	-
-	-	-	927835-1	C	-	CuFe2	-	-
2-928966-2	D	-	-	-	-	CuSn4	vorverzinkt PRETINNED	-
2-928966-1	D	-	-	-	-	CuSn4	vorverzinkt PRETINNED	-
1-928966-3	D	-	-	-	-	CuFe2	-	-
-	-	-	-	-	-	-	-	-
928966-2	D	-	-	-	-	CuSn4	vorverzinkt PRETINNED	-
928966-1	D	-	-	-	-	CuFe2	-	-
1241962-1	B	-	-	-	-	CuFe2	vorverzinkt PRETINNED	-

CRIMP DIMENSIONS (mm)	EXTRACTION TOOL	TE CONNECTIVITY ORDER - No.	CRIMP HEIGHT	CRIMP RANGE (mm)	TE CONNECTIVITY ORDER - No.
0.5 - 1.0 FLR E = 2.8 G = 3.0 D _w = 1.1	MQC - Applicator 878337-2	539635-1 WITH DIE: mit Matrize 739736-2	0.5mm ² = 1.43 0.75mm ² = 1.52 1.0mm ² = 1.61	3	5.4
>1.0 - 2.5 FLR E = 3.8 G = 4.1 D _w = 1.6	MQC - Applicator 878338-2	539635-1 WITH DIE: mit Matrize	1.5mm ² = 1.76 2.0mm ² = 1.90 2.5mm ² = 2.04	3.5	5.9
>2.5 - 4.0 FLR E = 4.6 G = 4.8 D _w = 2.4	MQC - Applicator 878441-2	539635-1 WITH DIE: mit Matrize	3.0mm ² = 2.13 4.0mm ² = 2.35	4	5.9
>3.0 - 5.0 FLR E = 4.8 G = 5.2 D _w = 2.5	MQC - Applicator -	WITH DIE: mit Matrize	3.0mm ² = 2.25 4.0mm ² = 2.50 5.0mm ² = 2.75	4	5.9

- CONTACT ZONE SELECTIVE PRE SILVER PLATED MIN 3-4.5µm Kontaktzone selektiv vorversilbert min. 3-4.5µm
- CONTACT ZONE SELECTIVE PRE SILVER PLATED MIN 1-1.5µm Kontaktzone selektiv vorversilbert min. 1-1.5µm
- CONTACT BODY: ELECTRO TIN PLATED OVER NICKEL CONTACT AREA: GOLD PLATED Kontaktkoerper: gal. verzinkt ueber Nickel Kontaktzone: vergoldet
- CONTACT BODY: ELECTRO TIN PLATED OVER NICKEL CONTACT AREA: SELECTIVE NICKEL PLATED 2-4µm Kontaktkoerper: gal. verzinkt ueber Nickel Kontaktzone: selektiv vernickelt 2-4µm
- CONTACT BODY: ELECTRO TIN PLATED OVER NICKEL TOUCHING AREA TO CANTILEVER SPRING: SELECTIVE AU PLATED OVER NICKEL CANTILEVER SPRING: COMPLETELY AU PLATED Kontaktkoerper: gal. verzinkt ueber Nickel Anlageflaeche zur Ueberfeder selektiv Au ueber Ni beschichtet Ueberfeder: komplett Au beschichtet
- PRE-FORM ISO-AREA ONLY FOR PN: 1241962-1 Isoflanken vorgeformt nur bei PN:1241962-1
- CONTACT BODY: ELECTRO TIN PLATED OVER NICKEL TOUCHING AREA TO CANTILEVER SPRING AND CONTACT AREA SELECTIVE AU PLATED OVER NICKEL CANTILEVER SPRING: COMPLETELY AU PLATED Kontaktkoerper: gal. verzinkt ueber Nickel Anlageflaeche zur Ueberfeder selektiv Au ueber Ni beschichtet Ueberfeder: komplett Au beschichtet
- WRAP CRIMP ONLY FOR PN: 927839,927840,928989 AND 928990 Umfassungscrimp nur bei PN: 927839,927840,928989 und 928990
- TRANSITION ONLY FOR PN 927827,927828,927829,927830,927833,927834,927837 AND 927838 Uebergang nur fuer PN 927827,927828,927829,927830,927833,927834,927837 und 927838
- 1-3µm Sn28M LAYER FOR HIGHER TEMPERATURE REQUIREMENTS 1-3µm Sn28M Schicht fuer hoehere Temperaturanforderungen
- DOTTED LINE IS ALTERNATIVE SHAPE Gestrichelte Linie alternative Form
- OBSOLETE
- SEE APPLICATION SPEC. FOR PREFERRED STANDARD TO MEET NEW REQUIREMENT LV214-2 SLOW MOTION BENDING TEST Siehe Verarbeitungs Spezifikation fuer bevorzugten Standard um den neuen Anforderungen der LV214-2 Slow Motion Pruefung zu genuegen



THIS DRAWING IS A CONTROLLED DOCUMENT. DIMENSIONING AND TOLERANCING PER ISO STANDARDS.

DATE: 20210111
 DRAWN: M. BEILSCHLICH
 CHECKED: M. HUHN
 APPROVED: M. HUHN
 PROJECT SPEC: 114-18037
 APPLICATION SPEC: 114-18037

STANDARD POWER TIMER CONTACT
 Standard Power Timer Kontakt

SIZE: A0
 CASE CODE: 00779
 DRAWING NO: 1355048
 SHEET: 10.1
 OF: 1
 REV: B13