

DATE DRAWING IS UNAPPROVED... RELEASED FOR PUBLICATION... ALL RIGHTS RESERVED

Table with 4 columns: Material, Surface, Wire Range, Insulation

Main table with 14 columns: Part No., Qty., Material, Surface, Wire Range, Insulation, Dimensions (E, G, Dr, H, K, D), Mechanical Properties (A-E)

SEE APPLICATION - SPECIFICATION Seite Verarbeitungsspezifikation 114-18050

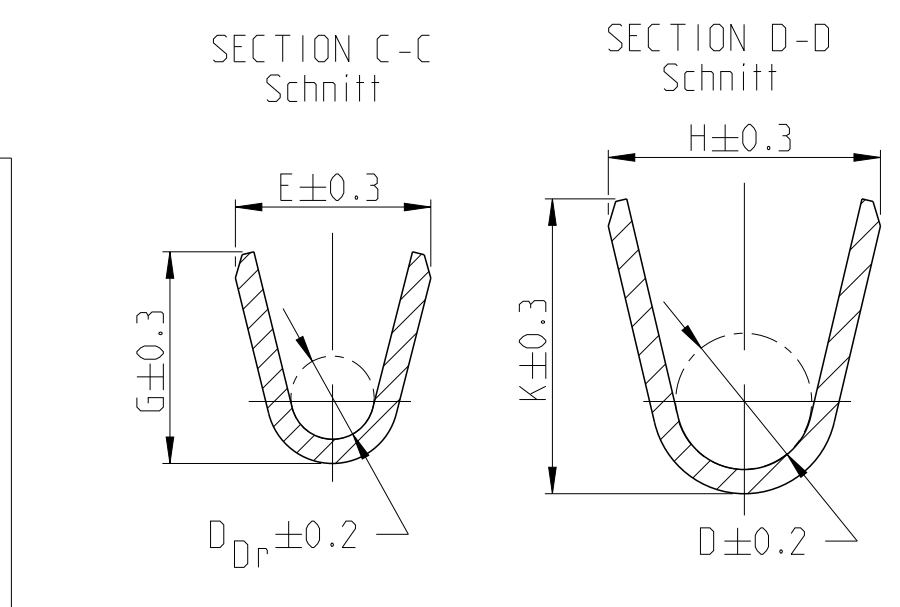
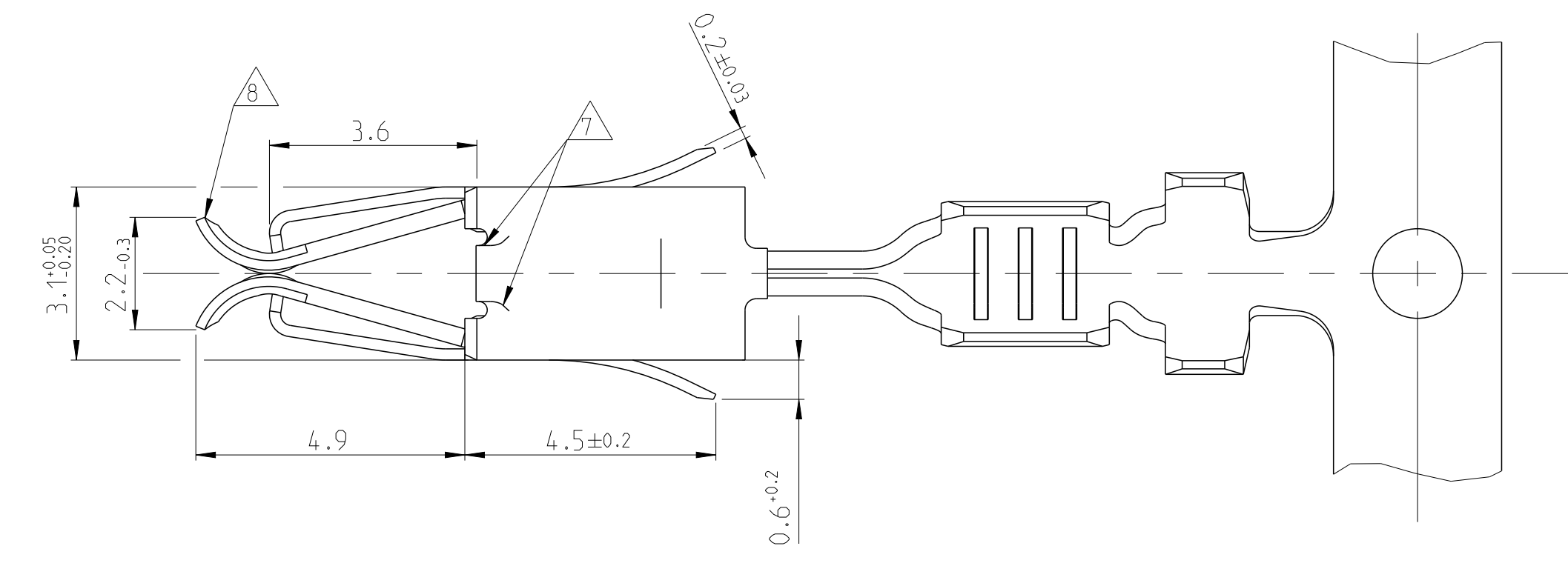
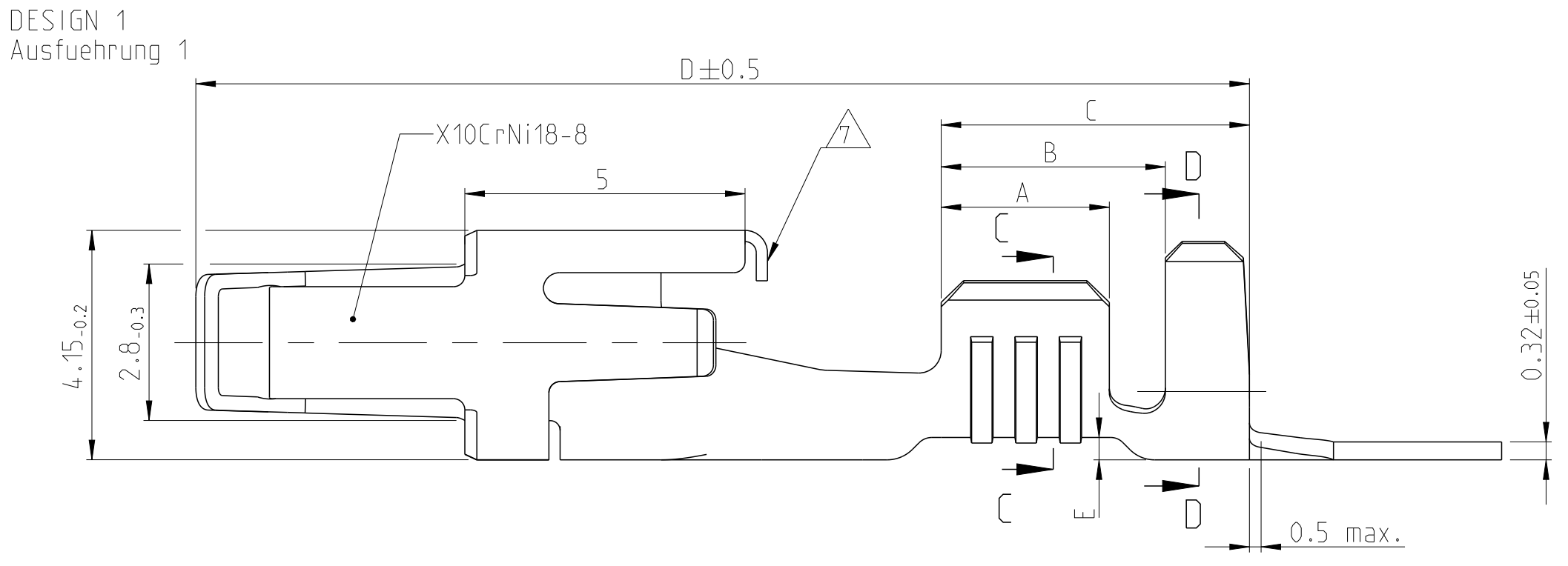


Table with 3 columns: Part No., Insulation, Colour



DESIGN 2 Ausfuehrung 2

DESIGN 3 Ausfuehrung 3

DESIGN 4 Ausfuehrung 4

DESIGN 5 Ausfuehrung 5

DESIGN 6 Ausfuehrung 6

NOTES

- Bemerkungen
CONTACT BODY PRE-SILVER PLATED MIN. 0.8um
CONTACT ZONE SELECTIVE PRE-SILVER PLATED MIN. 3um
CONTACT ZONE GOLD PLATED MIN. 0.8um OVER MIN. 1.3um NICKEL-LAYER

